

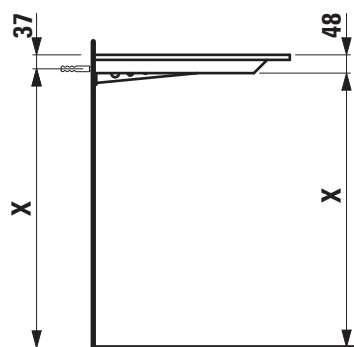
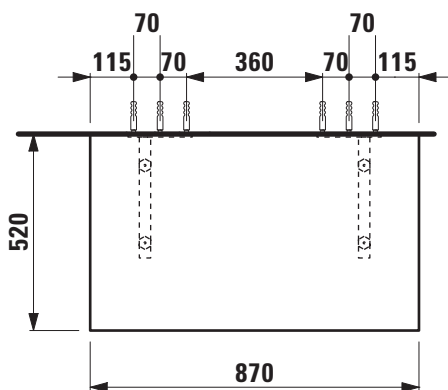


**TECHNICAL DATA**

Order no.	41095.0 / without cut out
Dimensions (WxHxD)	870 x 13 (48) x 520 mm
Specification	Body – high-pressure laminate surface (HPL) - water resistant, high impact and scratch resistant without cut out with 2 mounting brackets max. load 150 kg
Weight	11,0 kg
Mounting acc. incl.	Installation set, order no. 49052.2 and mounting brackets, order no. 49052.3, 49052.4

Mounting information	The walls installed on must meet the requirements of the furniture in terms of weight and the supplied fastening elements. If this cannot be guaranteed another method of installation needs to be chosen.
Colours	100 – White matt 101 – Light walnut 103 – Dark elm

**TECHNICAL DRAWINGS / S 1 : 20**



X = The exact height must be set during installation.