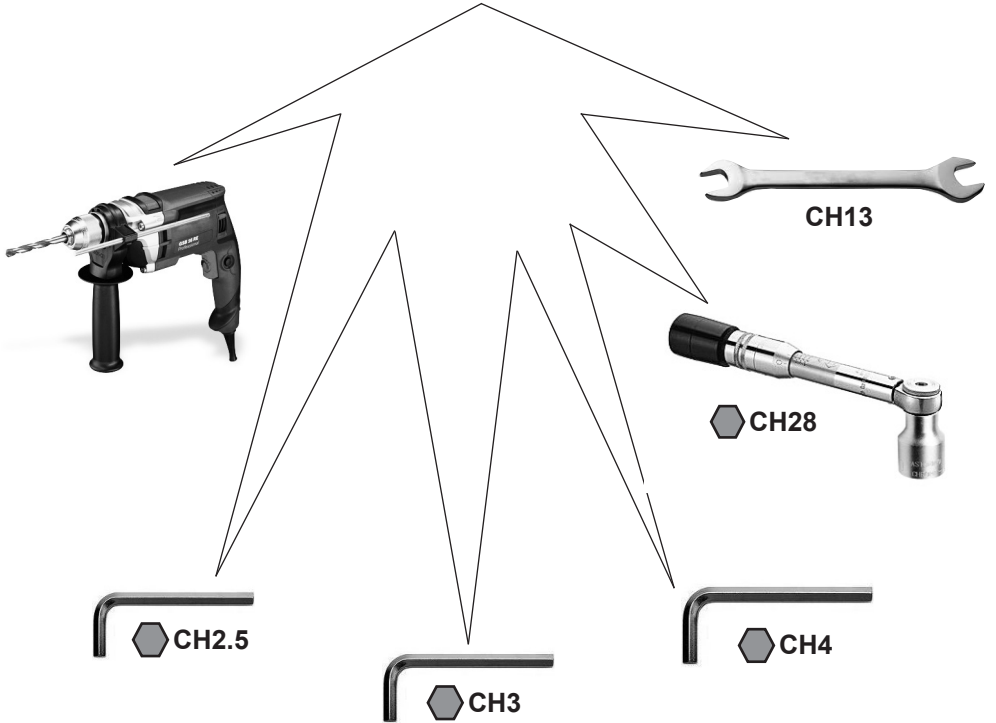
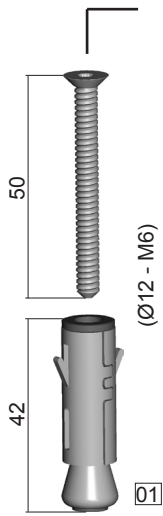


LIG 032/030

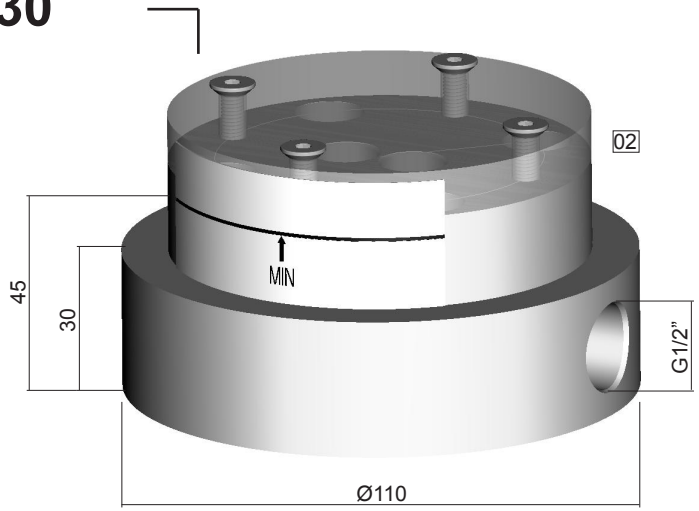




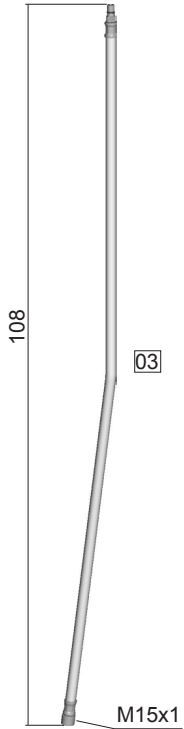
030



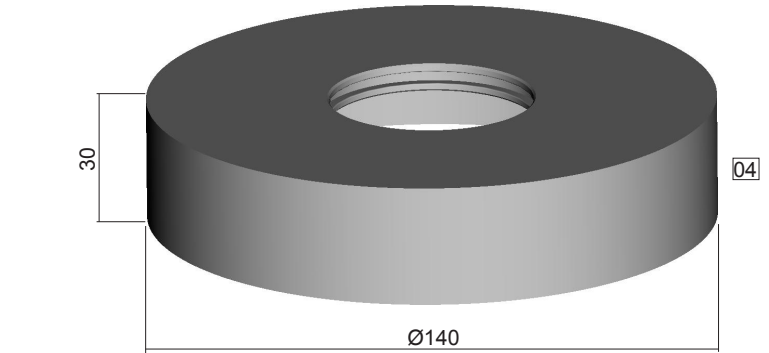
4x



1x



2x



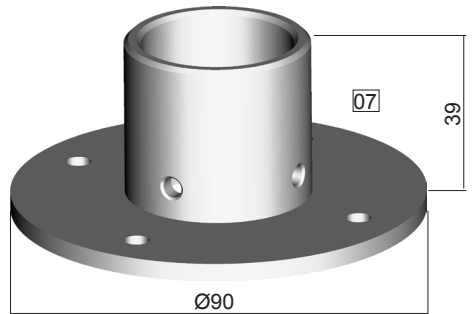
1x



1x

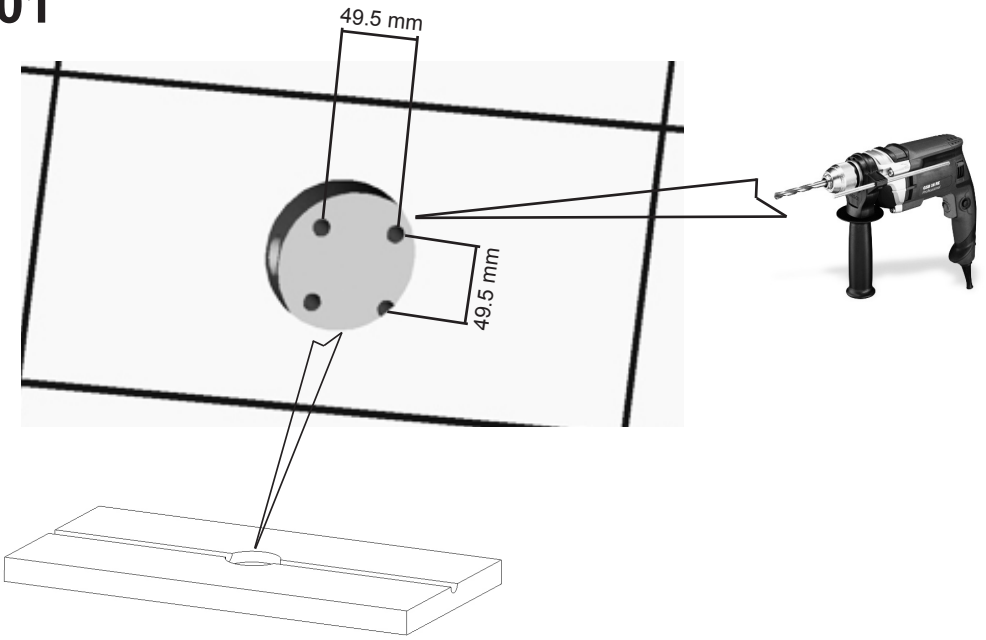


8x

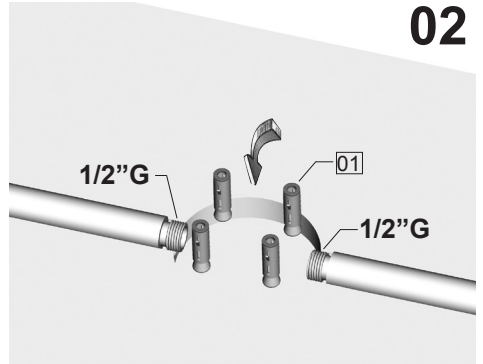


1x

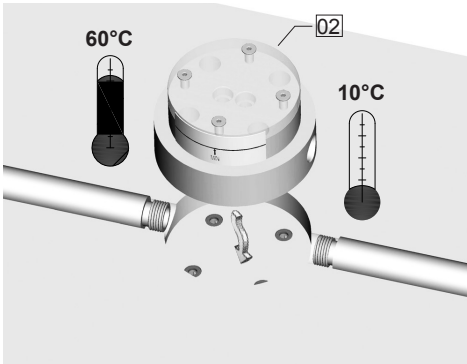
01



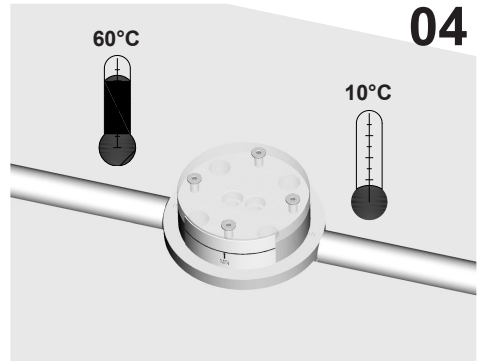
02



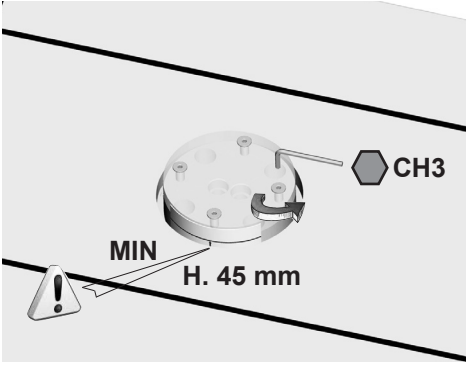
03



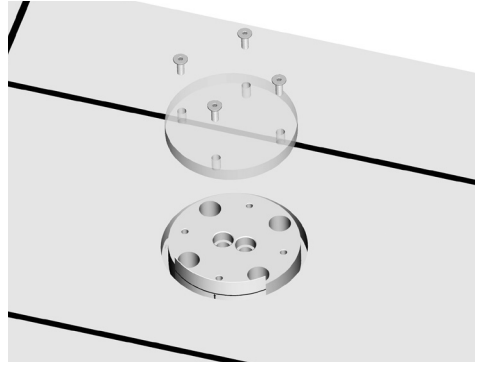
04



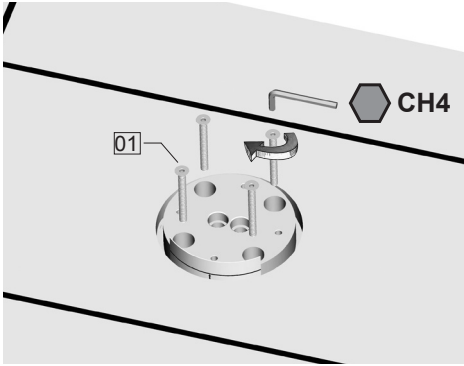
05



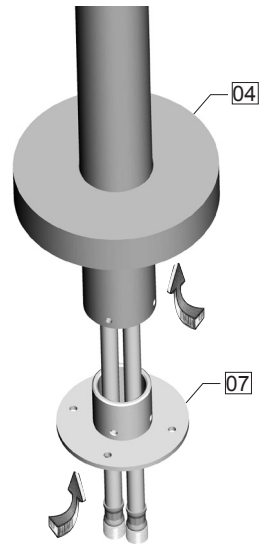
06



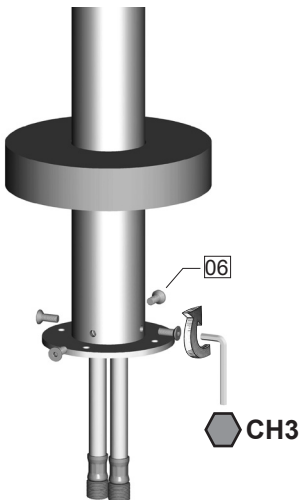
07



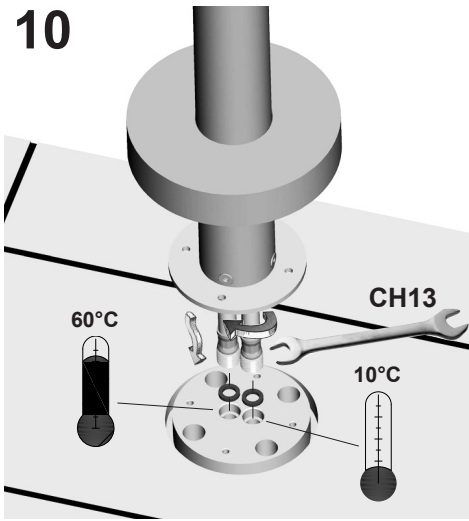
08



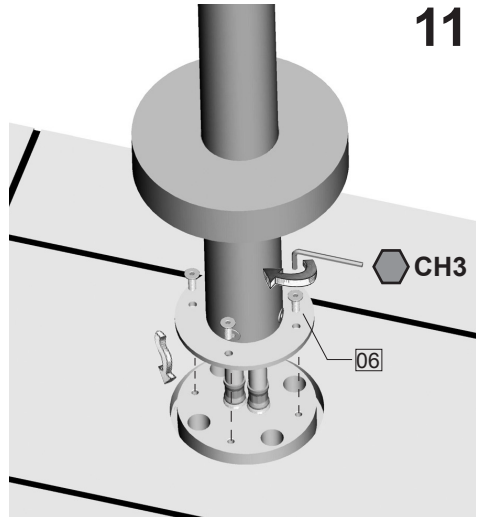
09



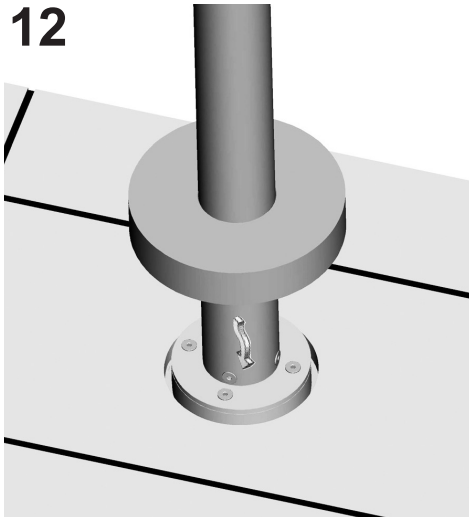
10



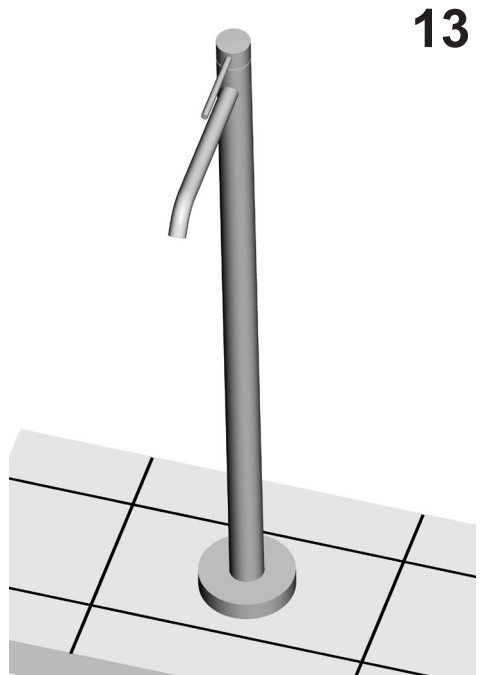
11

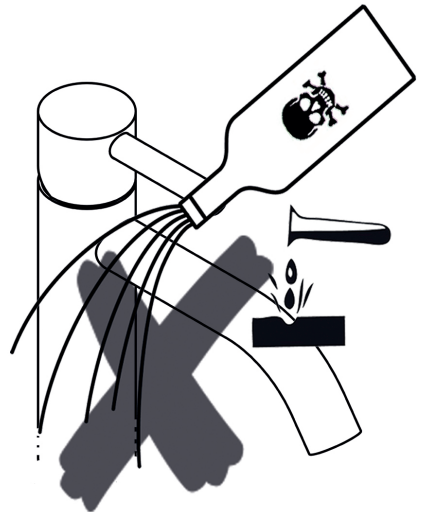
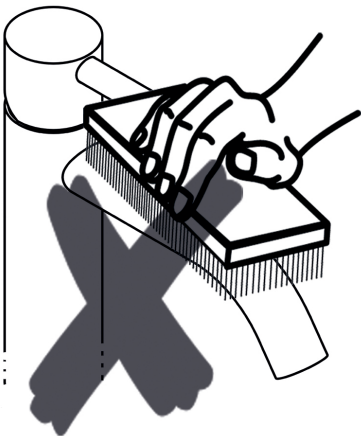
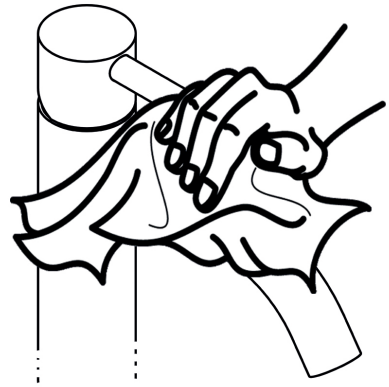
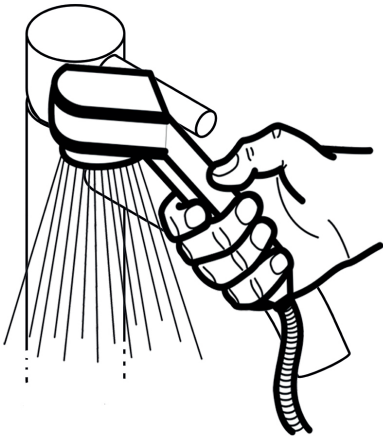
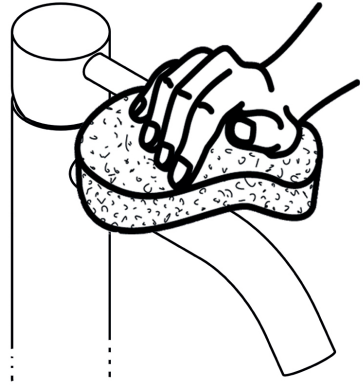
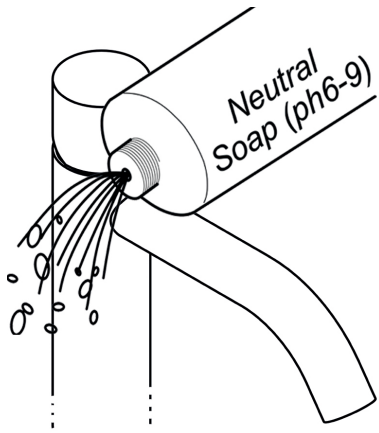


12



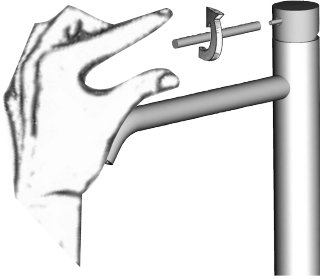
13



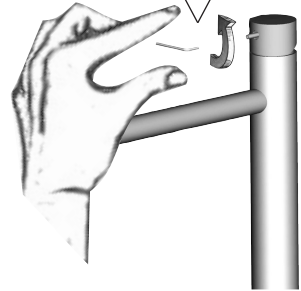
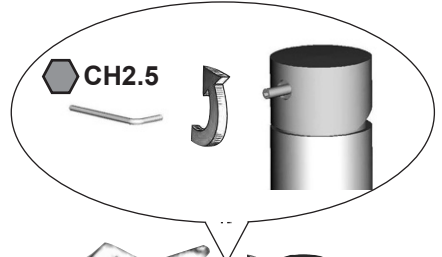




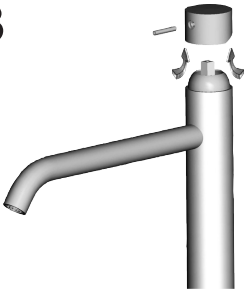
MC01



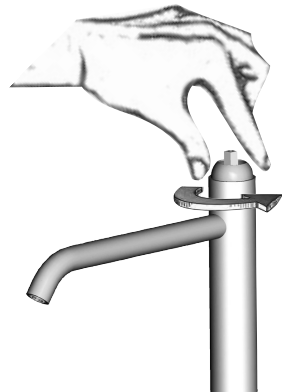
MC02



MC03



MC04



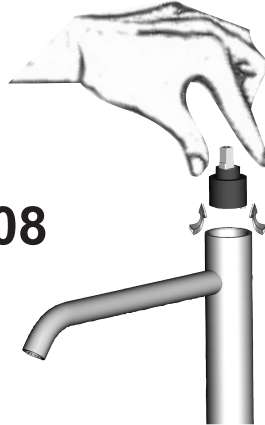
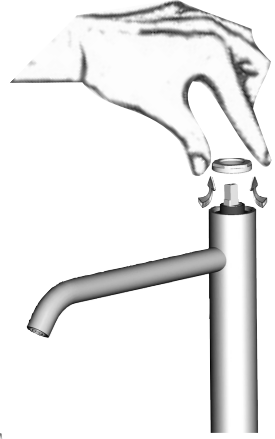
MC05



MC06



MC07

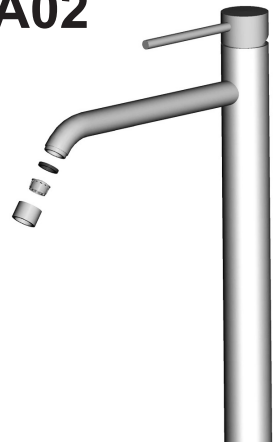


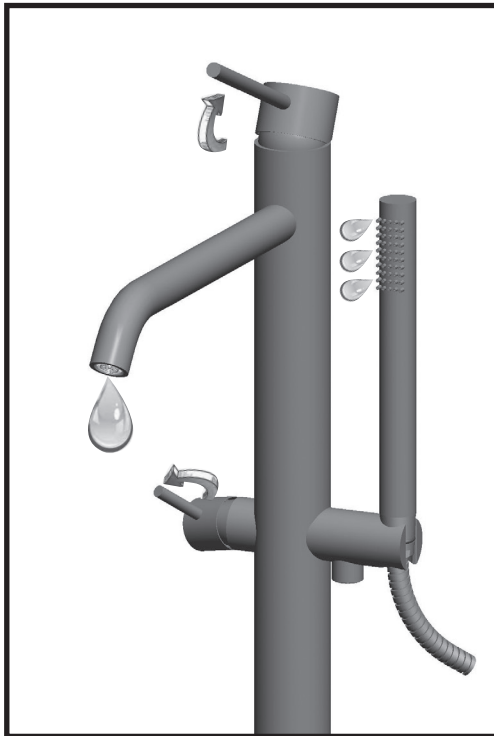
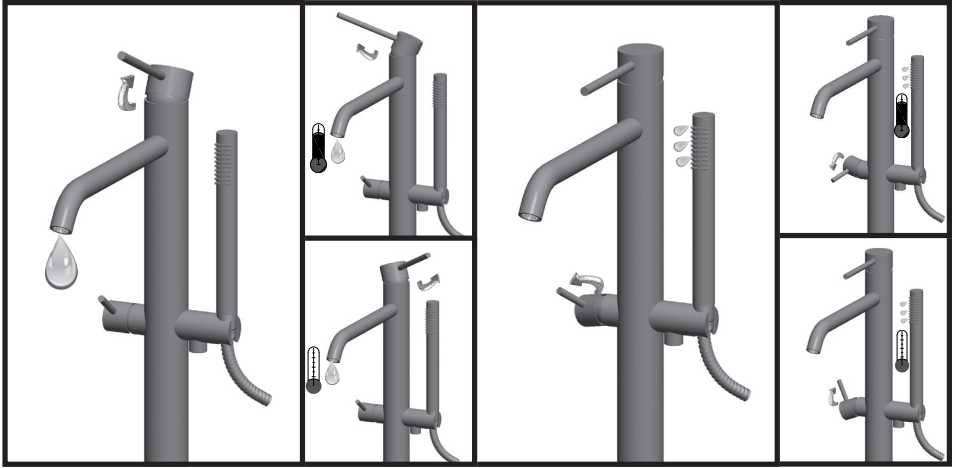
MC08

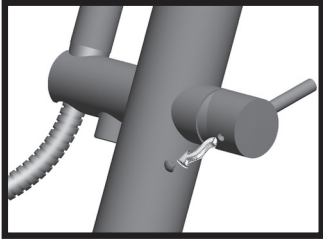
MA01



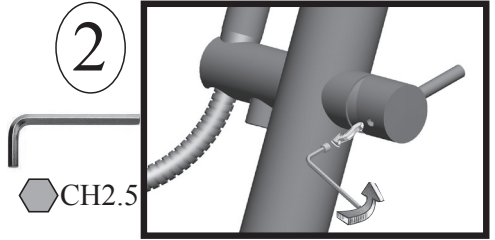
MA02





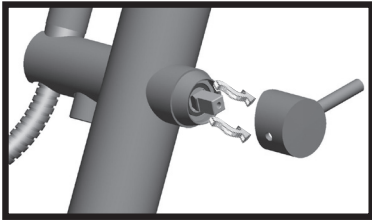


1

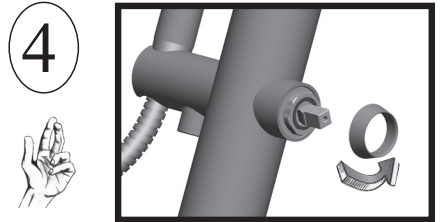


2

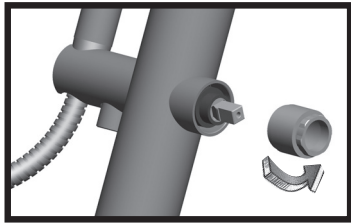
CH2.5



3



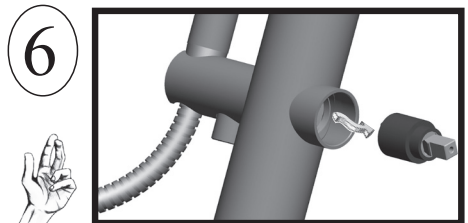
4



5



CH28



6



