

AXOR Uno
Shut-off valve for concealed installation
Surfaces: **Chrome** Article Number: **38976000**



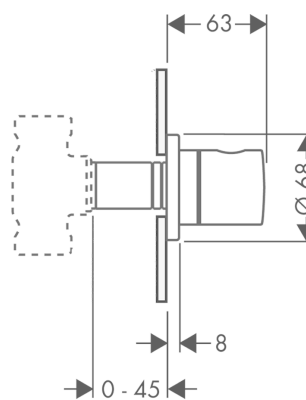
product features

- connection type: DN15/DN20

Product image



Scale drawing

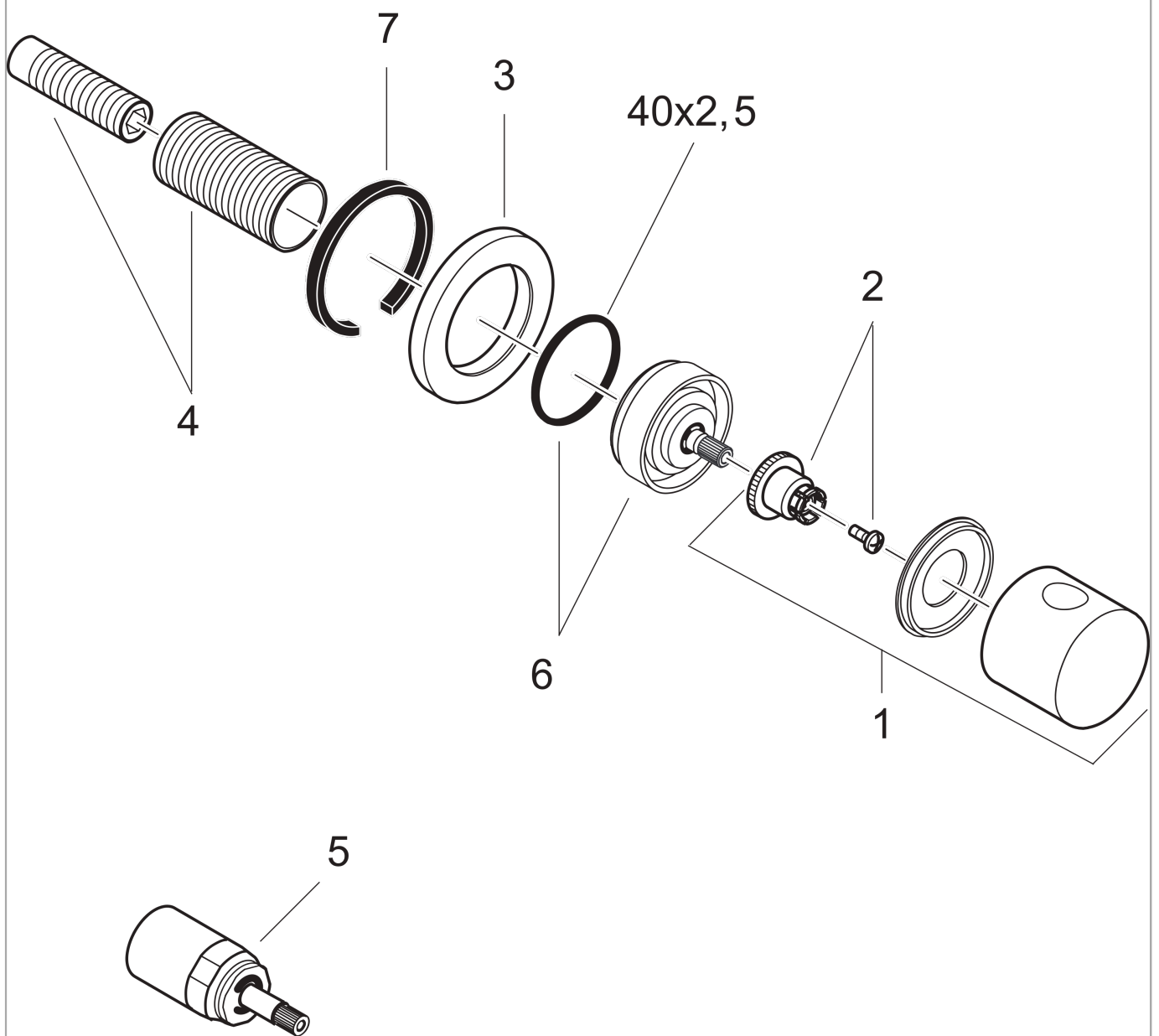


AXOR Uno
Shut-off valve for concealed installation
Surfaces: **Chrome** Article Number: **38976000**



Exploded Drawing

Year of production: >05/01



AXOR Uno
Shut-off valve for concealed installation
 Surfaces: **Chrome** Article Number: **38976000**



Spare part list

Year of production: >05/01

Pos.		Article Number	Price	PU
1	handle	38092000	-	1
2	handle fixing set	94184000	-	1
3	escutcheon	96498000	-	1
4	fixing set	96392000	-	1
5	extension 25 mm	96370000	-	1
6	nut	97265000	-	1
7	seal	97530000	-	1
a	concealed items DN20 (3/4")	15970180	-	1
b	concealed items 1/2"	15973180	-	1
c	concealed items 1/2"	15974180	-	1