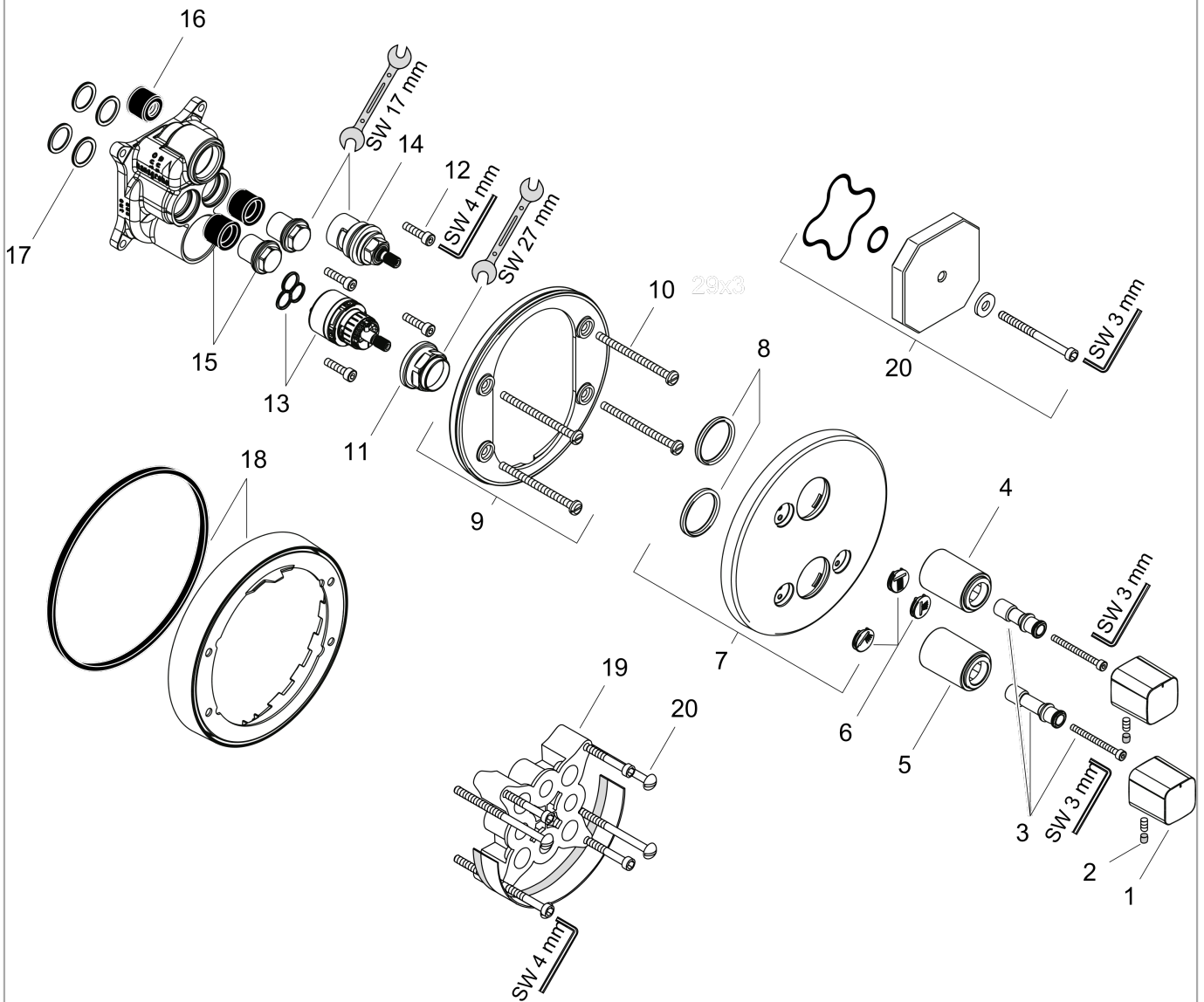


Metris
iControl E shut-off/ diverter valve for concealed installation
 Surfaces: **Chrome** Article Number: **31958000**



Exploded Drawing

Year of production: **06/11 - 04/19**



Metris

iControl E shut-off/ diverter valve for concealed installation

Surfaces: **Chrome** Article Number: **31958000**



Spare part list

Year of production: **06/11 - 04/19**

| Pos. | Description | Article Number | PC | PU |
|------|-----------------------------|----------------|----|----|
| 1 | handle | 95356000 | 9 | 1 |
| 2 | screw cover | 95181000 | 1 | 1 |
| 3 | adapter for handle | 95256000 | 7 | 1 |
| 4 | sleeve | 95253000 | 8 | 1 |
| 5 | sleeve | 95466000 | 10 | 1 |
| 6 | set of symbols | 95238000 | 7 | 1 |
| 7 | escutcheon | 95254000 | 12 | 1 |
| 8 | O-ring 29x3 | 98371000 | 2 | 1 |
| 9 | holder for escutcheon | 98793000 | 9 | 1 |
| 10 | set of fixing screws | 96454000 | 3 | 1 |
| 11 | nut | 95255000 | 6 | 1 |
| 12 | set of screws | 96525000 | 3 | 1 |
| 13 | shut off unit with selector | 98283000 | 12 | 1 |
| 14 | shut off unit | 98536000 | 12 | 1 |
| 15 | noise reduction with screw | 98721000 | 8 | 1 |
| 16 | noise reduction | 94073000 | 7 | 1 |
| 17 | O-ring 16x2 | 98133000 | 1 | 1 |
| 18 | extension 22 mm (Ø 150 mm) | 13597000 | 98 | 1 |
| 19 | extension 25 mm | 13595000 | 98 | 1 |
| 20 | set of fixing screws | 97747000 | 1 | 1 |
| 21 | flushing unit complete | 15956000 | 98 | 1 |
| a | concealed item | 01800180 | 98 | 1 |