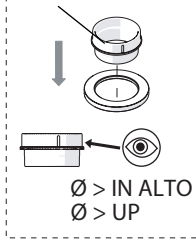


Not included / Non incluso / Non Inclus / Nie zawarty/ No incluido / Nao incluido

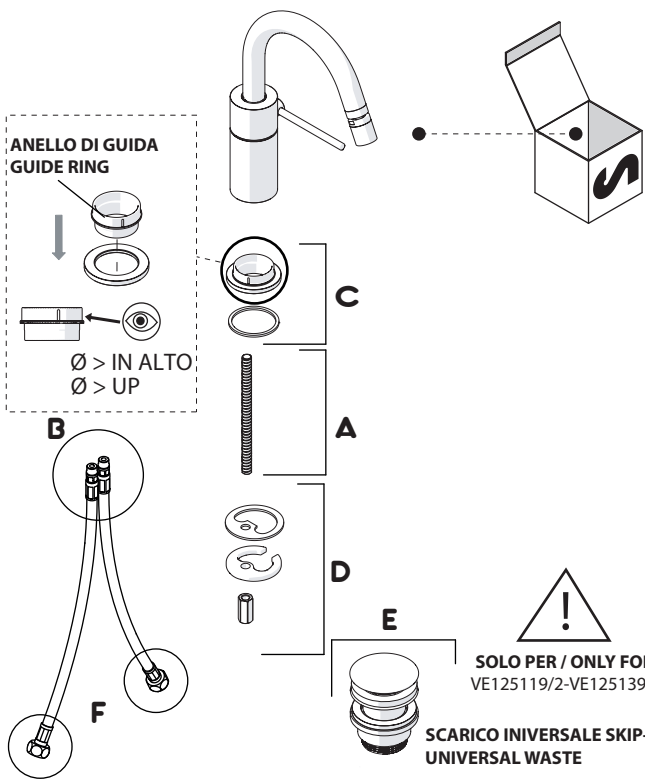
1



ANELLO DI GUIDA
GUIDE RING

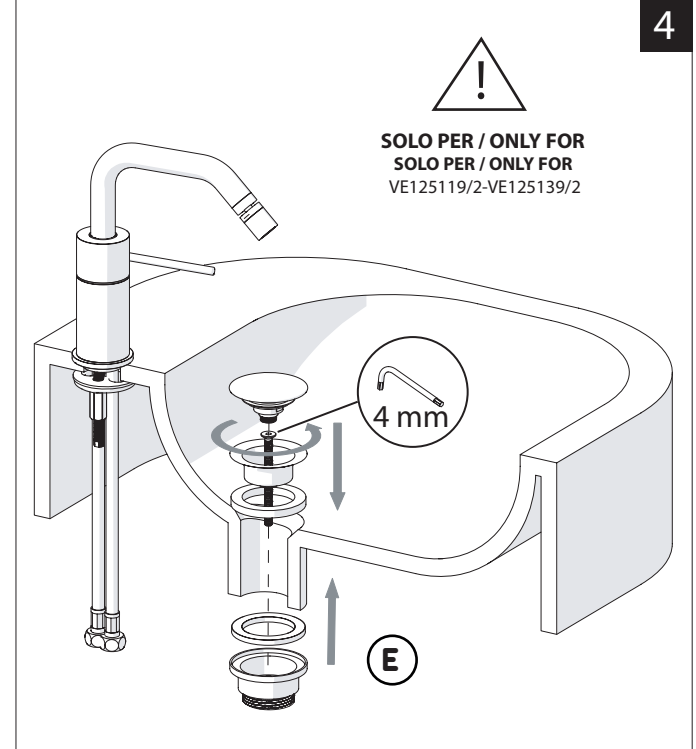
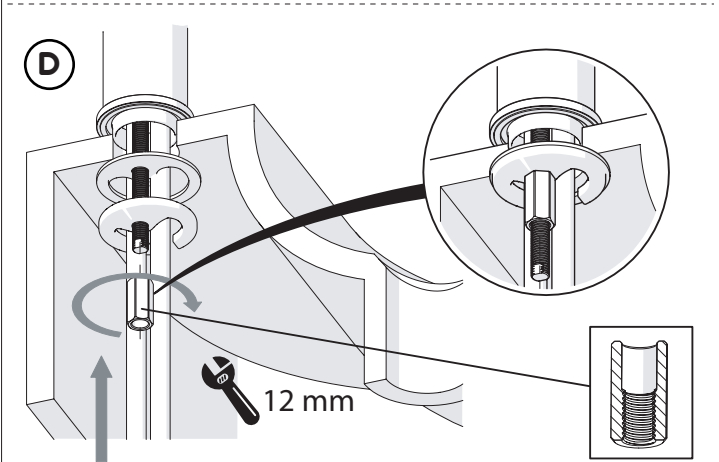
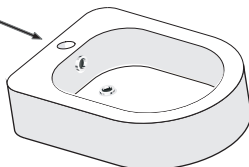


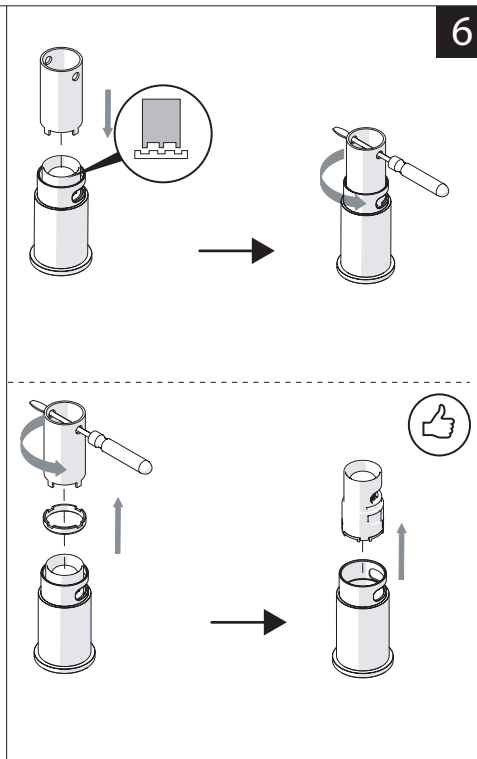
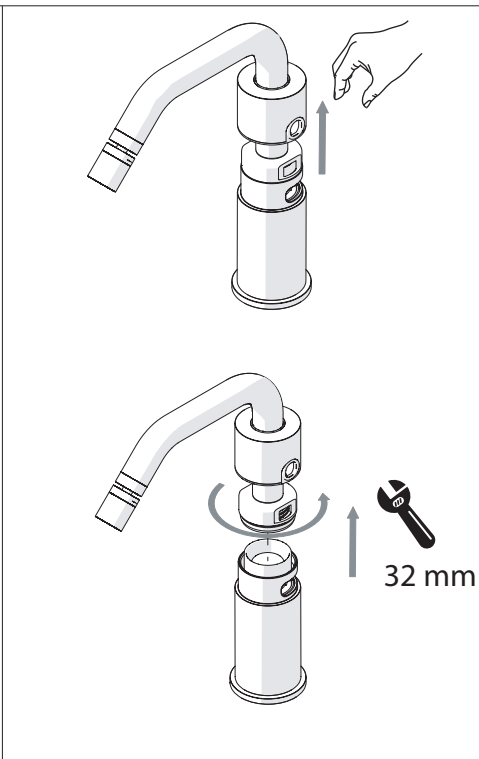
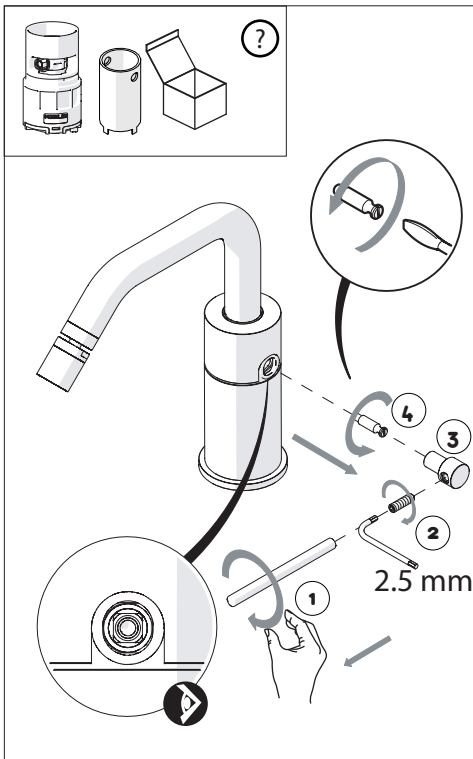
Ø > IN ALTO
Ø > UP



SOLO PER / ONLY FOR
VE125119/2-VE125139/2
SCARICO INVERSALE SKIP-UP
UNIVERSAL WASTE

Ø 33.5/35 mm





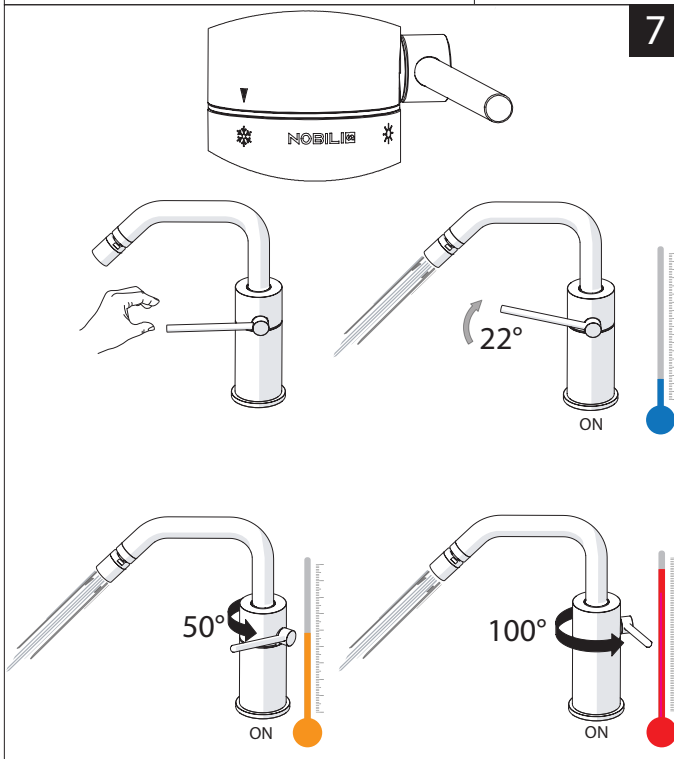
6

NOBILIS

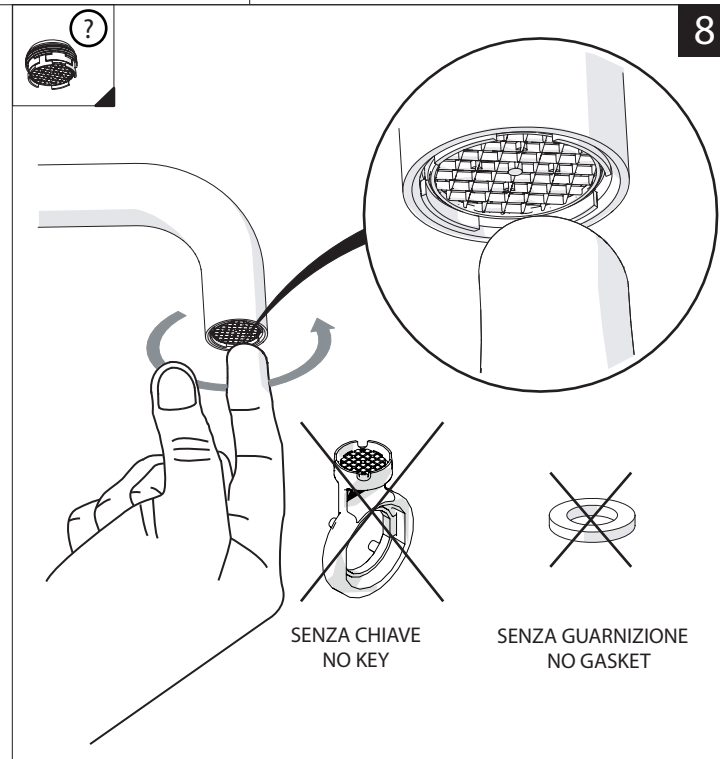
VELIS



www.nobili.it



7



8

PRIMA DI INIZIARE / BEFORE STARTING

| | | | | | | | |
|--|----------|--|-------------------------|--|---------|--|------------------------|
| | P bar | | MAX 10 MIN 0,5 | | T °C | | MAX 80 MIN 45 |
|--|----------|--|-------------------------|--|---------|--|------------------------|

PULIZIA / CLEANING

| | | | | | | | | | |
|--|-----------------------------------|--|----------------------------------|--|--|--|------------------|--|-------------------------|
| | ACQUA WATER | | ALCOOL ALCOHOL | | MICROFIBRA MICROFIBER | | SPUGNA SPONGE | | DETERGENTI DETERGENT |
| | TUTTE LE FINITURE ALL FINISHES | | ACQUA E SAPONE WATER AND SOAP | | ASCIUGARE BENE SEMPRE ALWAYS DRY WELL | | | | |

IISTRVE125119#--STD



REV0.06/2020