

Focus

Single lever basin mixer 70 with extra long handle and pop-up waste set

Surfaces: **Chrome** Article Number: **31910000**



Description

product features

- consists of: single lever basin mixer, waste set
- ComfortZone 70
- larger print for greater clarity
- with extra long barrier-free handle
- projection 101 mm
- laminar spray
- flow rate at 3 bar: 5 l/min
- ceramic cartridge
- temperature limitation adjustable
- suitable for continuous flow water heaters
- pop-up waste set G 1¼
- material waste set: metal
- connection type: G ¾ connections
- connection dimension: DN15

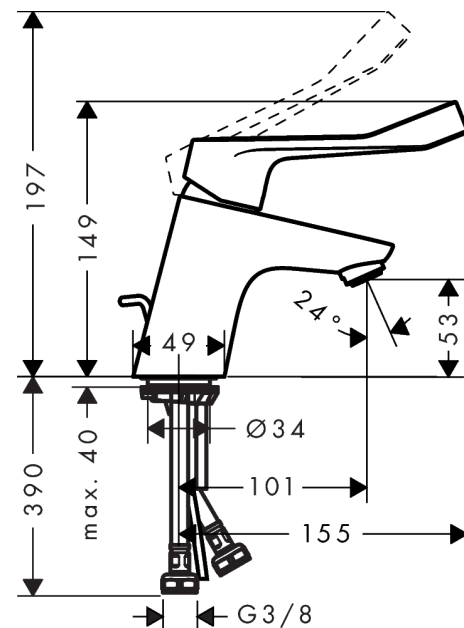
Technology



Product image



Scale drawing



Focus

Single lever basin mixer 70 with extra long handle and pop-up waste set

Surfaces: **Chrome** Article Number: **31910000**



Flowchart

