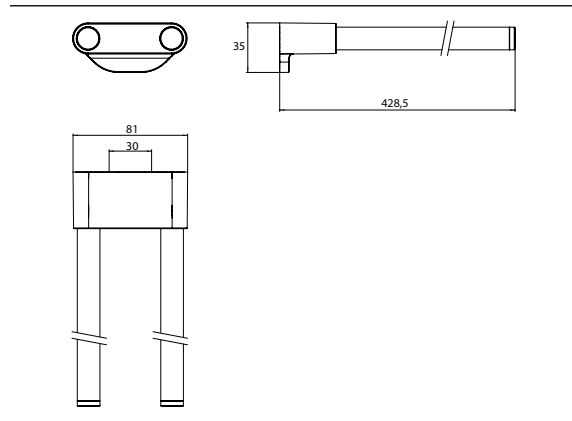


Towel holder, two arms, fixed chrome



Art.No.2750 001 43

430 mm