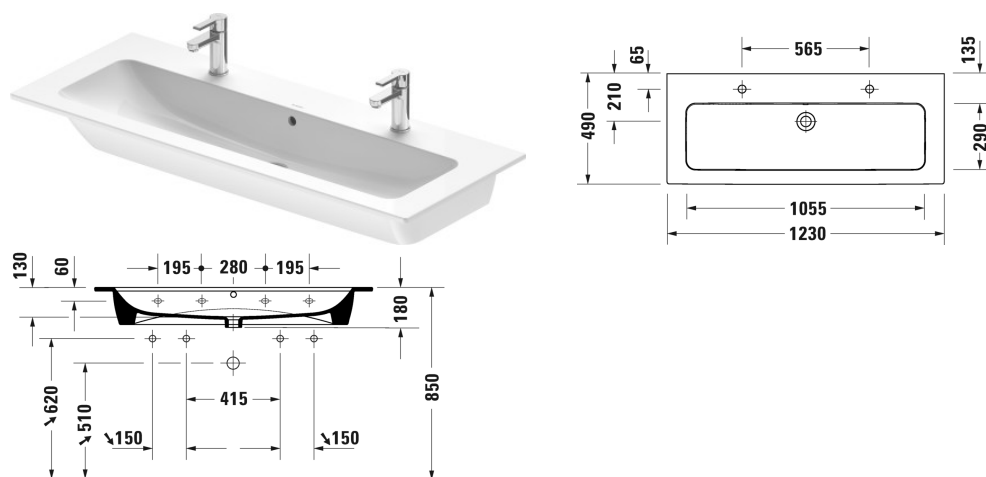


ME by Starck Washbasin, furniture washbasin # 236112..24 / 236112..24

|< 1230 mm >|



Washbasin, furniture washbasin	Dimension	Weight	Order number
with overflow, with tap platform, 1230 mm			
<b>Colors</b>			
00 White Alpin 32 White Satin Matt			
<b>Variant</b>			
● _ _ ●	1230 x 490 mm	33.400 kilogram	236112..24
● _ _ ●	1230 x 490 mm	33.400 kilogram	236112..24
Sanitary ceramics with the special WonderGliss surface finish will remain clean and attractive-looking for a long time to come. When ordering WonderGliss please add a "1" as eleventh digit to the model number.			
<b>Accessory</b>			
Space saving siphon	1 1/4" mm	0.400 kilogram	005076
<b>Suitable products</b>			
Vanity unit wall-mounted 1 pull-out compartment, for ME by Starck # 233612, 236112, 1220 x 481 mm	1220 x 481 mm		LC6143
Vanity unit wall-mounted 2 drawers, upper drawer including cut-out for siphon and siphon cover, for ME by Starck # 233612, 236112, 1220 x 481 mm	1220 x 481 mm		LC6243
Vanity unit floor-standing 2 pull-out compartments, upper pull-out compartment including cut-out for siphon and siphon cover, for ME by Starck # 233612, 236112, 1220 x 481 mm	1220 x 481 mm		LC6628
Pedestal for # 233565, 233560, 233555, 233613, 233612, 233610, 233683, 233663, 236112, 233653, 175 x 210 mm	175 x 210 mm		085839

**ME by Starck Washbasin, furniture washbasin # 236112..24 /**  
**236112..24**

|&lt; 1230 mm &gt;|

Siphon cover for # 233565, 233560, 233555, 233613, 233612, 233610, 233683, 233663, 236112, 233653, 170 x 300 mm	170 x 300 mm	085840
Vanity unit wall-mounted 2 drawers, upper drawer including cut-out for siphon and siphon cover, for ME by Starck # 233612, 236112, 1200 x 475 mm	1200 x 475 mm	KT6431
Vanity unit wall-mounted 1 pull-out compartment, for ME by Starck # 233612, 236112, 1220 x 479 mm	1220 x 479 mm	BR4004
Vanity unit wall-mounted 2 drawers, upper drawer including cut-out for siphon and siphon cover, for ME by Starck # 233612, 236112, 1220 x 479 mm	1220 x 479 mm	BR4104
Vanity unit floor-standing 2 pull-out compartments, upper pull-out compartment including cut-out for siphon and siphon cover, for ME by Starck # 233612, 236112, 1220 x 479 mm	1220 x 479 mm	BR4404
Vanity unit wall-mounted 1 pull-out compartment, for ME by Starck # 233612, 236112, 1210 x 478 mm	1210 x 478 mm	XS4074
Vanity unit wall-mounted 2 drawers, upper drawer including cut-out for siphon and siphon cover, for ME by Starck # 233612, 236112, 1210 x 478 mm	1210 x 478 mm	XS4174
Vanity unit floor-standing 2 pull-out compartments, upper pull-out compartment including cut-out for siphon and siphon cover, integrated base frame legs with height adjustment, for ME by Starck # 233612, 236112, 1210 x 478 mm	1210 x 478 mm	XS4448
Vanity unit wall-mounted 1 pull-out compartment, for ME by Starck # 233612, 236112, 1200 x 475 mm	1200 x 475 mm	XB6033
Vanity unit wall-mounted 2 drawers, upper drawer including cut-out for siphon and siphon cover, for ME by Starck # 233612, 236112, 1200 x 475 mm	1200 x 475 mm	XB6123
Vanity unit wall-mounted 1 pull-out compartment, for ME by Starck # 233612, 236112, 1210 x 480 mm	1210 x 480 mm	XV4028
Vanity unit wall-mounted 2 drawers, upper drawer including cut-out for siphon and siphon cover, for ME by Starck # 233612, 236112, 1210 x 480 mm	1210 x 480 mm	XV4128
Vanity unit floor-standing 2 pull-out compartments, upper pull-out compartment including cut-out for siphon and siphon cover, for ME by Starck # 233612, 236112, 1210 x 480 mm	1210 x 480 mm	XV4484
Vanity unit wall-mounted 1 pull-out compartment, for ME by Starck # 233612, 236112, 1210 x 462 mm	1210 x 462 mm	DE4264
Vanity unit wall-mounted 1 drawer, 1 pull-out compartment, upper drawer including cut-out for siphon and siphon cover, for ME by Starck # 233612, 236112, 1210 x 462 mm	1210 x 462 mm	DE4364
Vanity unit wall-mounted 1 pull-out compartment, for ME by Starck # 233612, 236112, 1210 x 480 mm	1210 x 480 mm	K25065
Vanity unit wall-mounted 2 drawers, upper drawer including cut-out for siphon and siphon cover, for ME by Starck # 233612, 236112, 1210 x 480 mm	1210 x 480 mm	K25265

*All drawings contain the necessary measurements which are subject to standard tolerances. They are stated in mm and are non-binding. Exact measurements, in particular for customised installation scenarios, can only be taken from the finished piece.*