

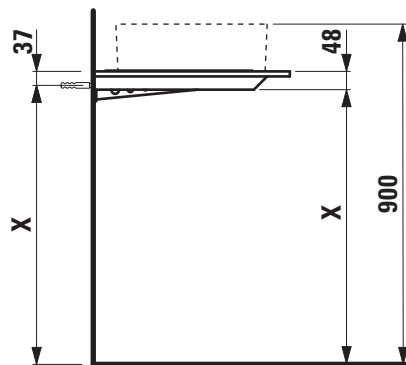
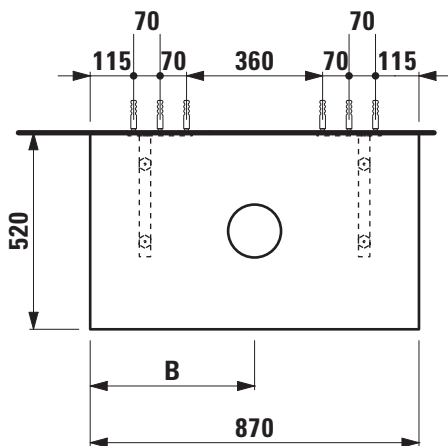


TECHNICAL DATA

Order no.	41095.3 / 1 cut out
Dimensions (WxHxD)	870 x 13 (48) x 520 mm
Matching for washbasin	see table below
Specification	Body – high-pressure laminate surface (HPL) - water resistant, high impact and scratch resistant with cut out with 2 mounting brackets max. load 150 kg
Weight	11,0 kg

Mounting acc. incl.	Installation set, order no. 49052.2 and mounting brackets, order no. 49052.3, 49052.4
Mounting information	The walls installed on must meet the requirements of the furniture in terms of weight and the supplied fastening elements. If this cannot be guaranteed another method of installation needs to be chosen.
Colours	100 – White matt 101 – Light walnut 103 – Dark elm

TECHNICAL DRAWINGS / S 1 : 20



B / mm	Ceramic
210	Palomba s1680.1
290	Kartell by Laufen s1233.2 (with tap bank left) washbasin not in the middle because of technical reason
346	Palomba s1680.2
360	Kartell by Laufen s1033.4
385	Palomba s1680.3 Val s1228.1

B / mm	Ceramic	
435	Kartell by Laufen s1233.1, s1533.1 Palomba s1180.1, s1280.1 Living Square s1143.3, s1143.4, s1143.5 Ino s1630.0, s1630.2, s1730.1 Ino s1730.2 (only wall mounted tap) Val s1628.0, s1628.3, s1628.4 Val s1728.1 (only wall mounted tap)	
	510	Kartell by Laufen s1033.5
	538	VAL s1228.2
	580	Kartell by Laufen s1233.2 (with tap bank right) washbasin not in the middle because of technical reason

X = The exact height must be set during installation.