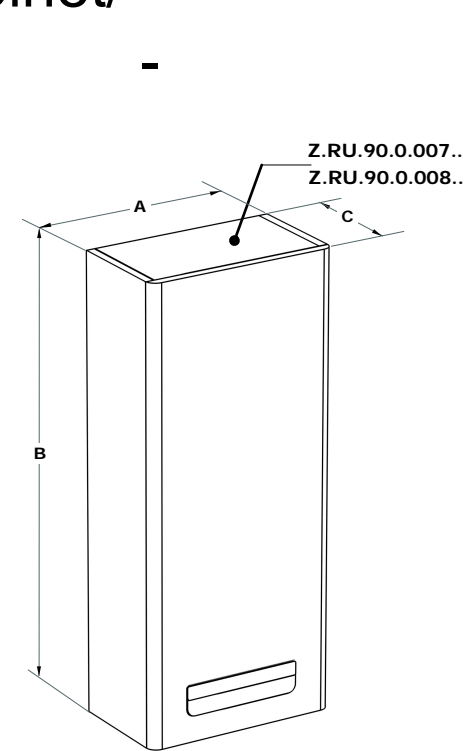
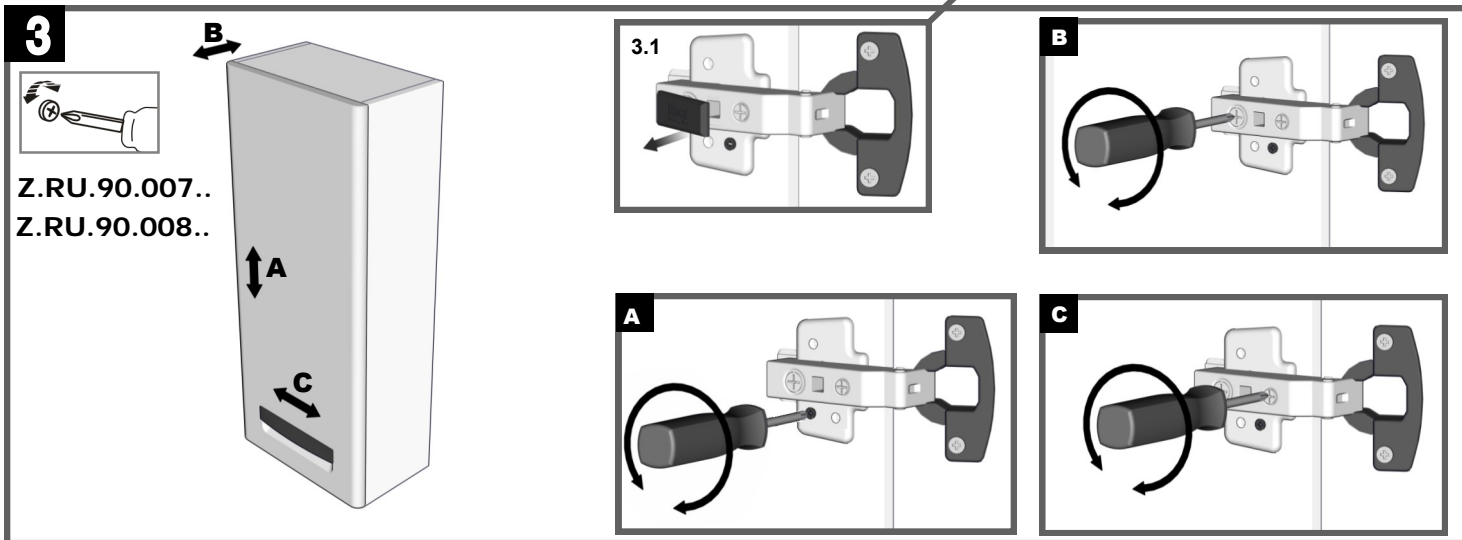
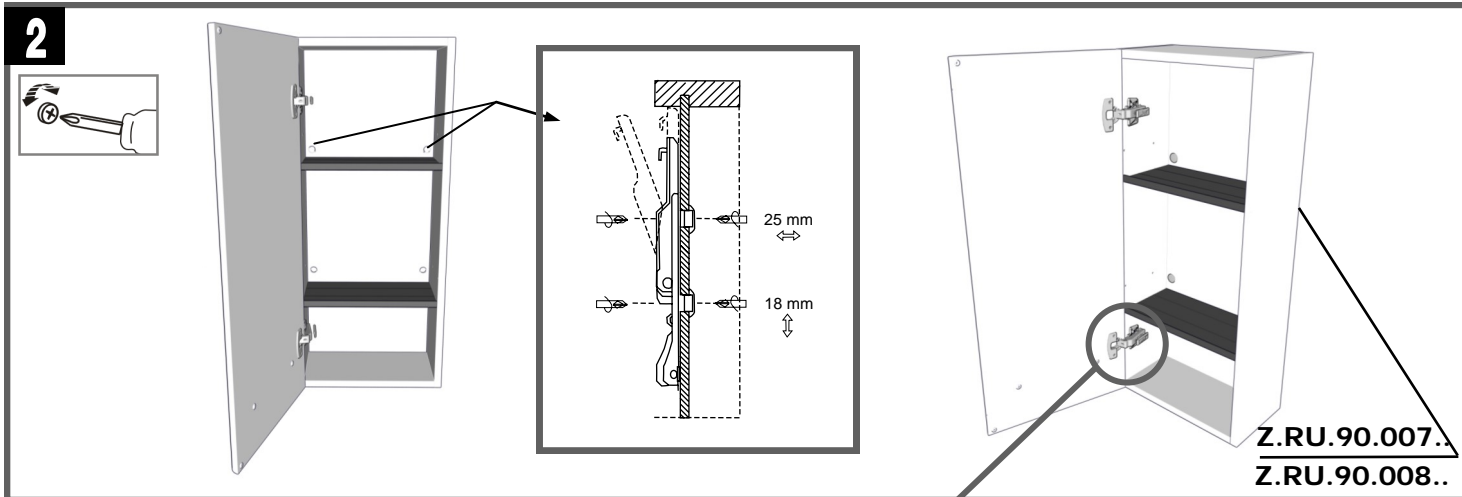
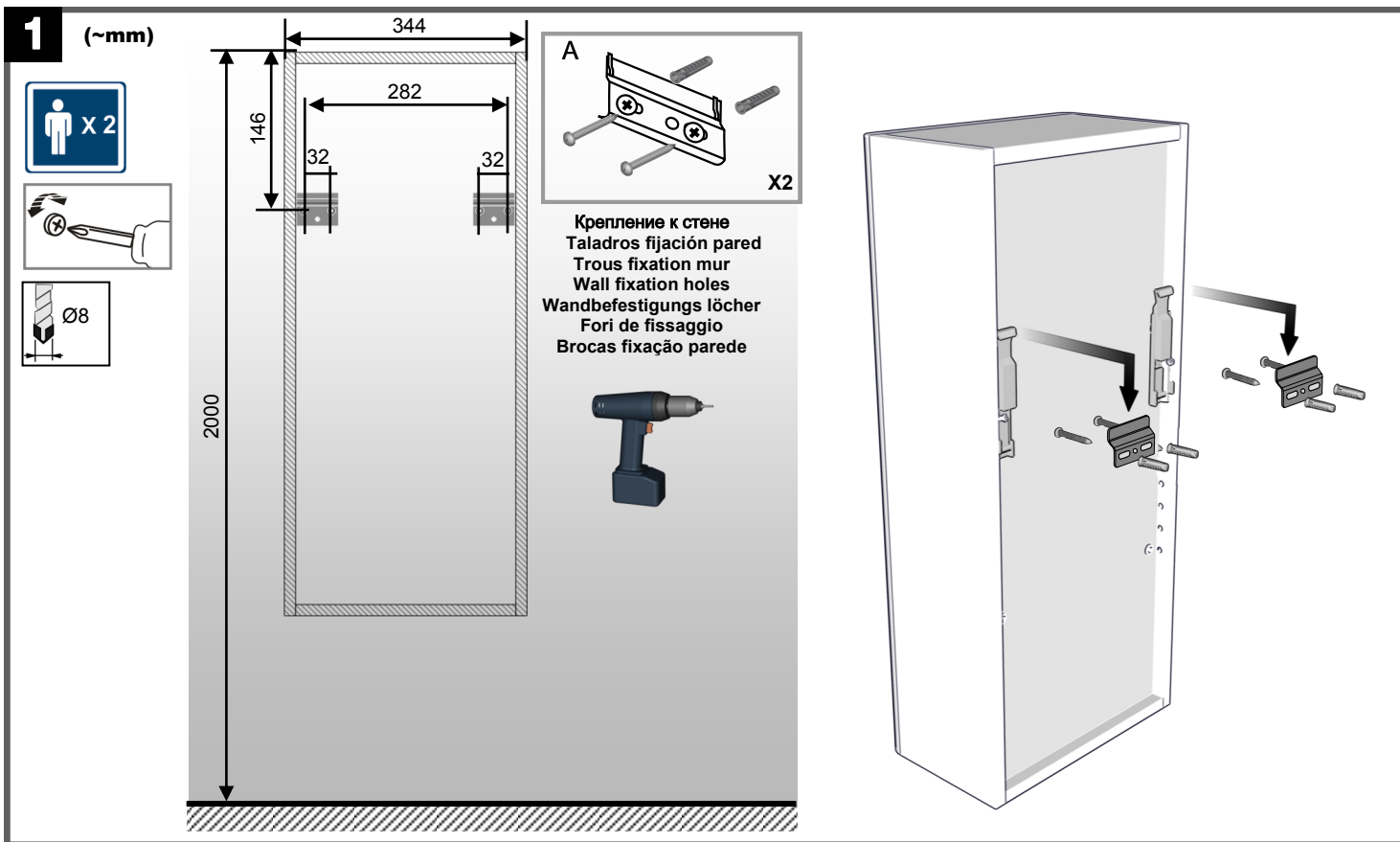


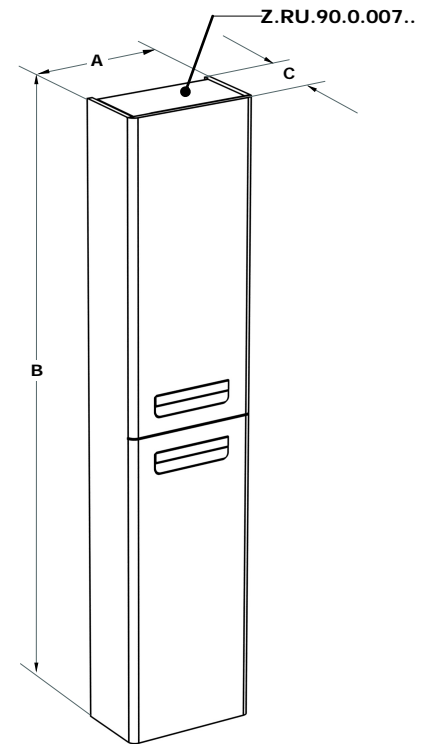


## The Gap

Small cabinet/  
Cabinet/

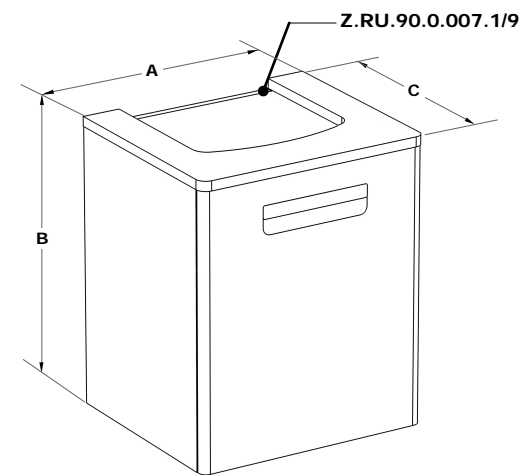


	A	B	C
Z.RU.90.0.007../8.	34,5	80	20



	A	B	C
Z.RU.90.0.007../8.	35	60	200

## Base unit/



	A	B	C
Z.RU.90.0.007.1/9	44,4	53	39



**1** (~mm)

**(B)**  
 Desagüe  
 Vidage  
 Waste pipe  
 Abwasserleitung  
 Scarico  
 Deságue

**(C)**  
 Conexión agua  
 Connection d'eau  
 Water connection  
 Wasseranschlüsse  
 Caricío dell'acqua  
 Conexão água

X1

**2** (~mm)

X2

X2

Крепление к стене  
 Taladros fijación pared  
 Troux fixation mur  
 Wall fixation holes  
 Wandbefestigungs löcher  
 Fori de fissaggio  
 Brocas fixaçao parede

(~mm)

**5**

ADVERTENCIA  
 WARNING

INTERFERENCIA  
 INTERFERENCE

**2A**

X2

**2B**

X2

**3**

Ø12

X2

**3.1**

X2

**4**

**4.1**

**4.2**

**4.3**

X2

**6**

13MM  
 17MM

**7**

**8A**

X4

**8B**

X2

A  
 B  
 C

**A**

**B**

**C**