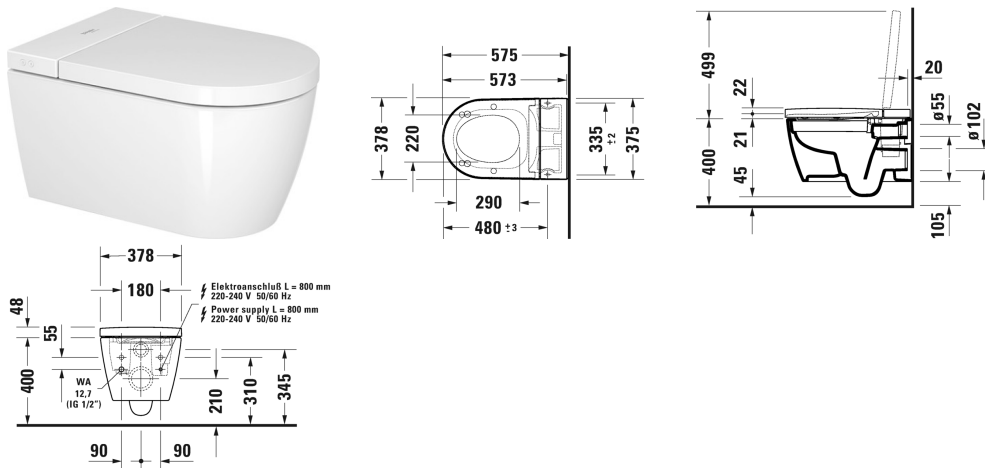


SensoWash® Starck f SensoWash® Starck f Lite compact shower toilet # 650001012004310

| < 378 mm > |



SensoWash® Starck f Lite compact shower toilet	Dimension	Weight	Order number
Rear-, Lady- and Comfortwash, Seat heating, Intelligent energy saving mode, Warm air dryer, individual adjustment of water-, air- and seat temperature as well as spray wand position and water spray intensity, Automatic drainage in periods of prologed disuse, Descaling function, Night light, rimless, Remote control included, washdown model, App operation, Self-cleaning spray wand, Seat/lid material thermoplastic, with concealed connections			
Colors			
00 White Alpin			
Variant			
220-240V 50/60Hz, Protection device according EN 1717 integrated	378 x 575 mm	32.500 kilogram	650001012004310
Infobox			
Choose suitable pre-installation kit or connecting set depending on used in-wall carrier			
Installation accessories			
Noise reduction gasket			Schallschutz-Set 005090
Fixing for wall mounted bidet and wall mounted toilet	Ø 12 x 180 mm	0.200 kilogram	006500
Interface set in combination with SensoWash Starck f, for functional interface with DuraSystem actuator plate A2			100729
Connecting set in combination with SensoWash Starck f, for in-wall carriers with conduit pipe for connection inside the tank			100731
Pre-installation kit in combination with SensoWash, for in-wall carrier with horizontal support without shower toilet pre-installation/conduit pipe			005072

SensoWash® Starck f SensoWash® Starck f Lite compact shower toilet # 650001012004310

| < 378 mm > |

Suitable products		
<p>Actuator plate A2, for toilet, glass white touchless, infrared-controlled front actuation, without mechanical buttons, button illumination activated by approaching the detection zone, flushing operation via touch or touchless, for surface mounted installation, Dual flush technology, operation with low voltage: 24 V DC SELV, protection class IP X4, protection category III, with coded plug connectors, Functions, odor extraction, infrared approaching sensor, hygienic flush, Auto flush, cleaning function, nightlight, locking function, battery backup, functions adjustable via remote control, Scope of delivery, installation frame, mounting accessoires, front plate glass, 229,8 x 157 mm</p>	229,8 x 157 mm	WD5003
<p>Toilet frame, integrated hygienic flush integrated hygienic flush, self-supporting, for drywall construction, suitable for panelling with plasterboards, powder-coated frame, for WC ceramics with a projection of <= 625 mm, adjustable feet 0-240 mm, SensoWash ready, electronical front actuation , flattenings for optimal access of press tools, metre tear and center marker, tool-free assembly of the transparent service opening plate, Requirements of the leading standards of noise protection DIN 4109 and VDI 4100 can be achieved (in combination with noise reduction set # WD6015 000 000), Cistern, concealed cistern CE tested in accordance with EN 14055, maximum flush volume 9l, marking of filling height, Dual flush technology, adjustable flush volume, insulated against condensation, throttle for adjustment of the flushing flow, Scope of delivery, pre-installation kit including power supply 100-240 V AC / 24 V DC, PE-wall-mounted toilet connection bend DN 90/90, PE-wall-mounted toilet connection set DN 90, wall-mounted toilet fastening set M12, mounting accessoires for lightweight construction, mounting accessoires for single installation, PE-wall-mounted toilet reduction DN 90/110 for outlet bend, 2 cover caps, pre-installed toilet frame for wall-mounted toilet, Secondary voltage: 24 V, 500 x 1148 mm</p>	500 x 1148 mm	WD1013
<p>Toilet frame, odor extraction, hygienic flush integrated hygienic flush, self-supporting, for drywall construction, suitable for panelling with plasterboards, powder-coated frame, for WC ceramics with a projection of <= 625 mm, adjustable feet 0-240 mm, SensoWash ready, electronical front actuation , metre tear and center marker, tool-free assembly of the transparent service opening plate, Requirements of the leading standards of noise protection DIN 4109 and VDI 4100 can be achieved (in combination with noise reduction set # WD6015 000 000), odor extraction with integrated fan, fan operation via person identification or manual use of the actuator plate, airtight check valve, Cistern, concealed cistern CE tested in accordance with EN 14055, maximum flush volume 9l, marking of filling height, Dual flush technology, adjustable flush volume, insulated against condensation, throttle for adjustment of the flushing flow, Scope of delivery, pre-installation kit including power supply 100-240 V AC / 24 V DC, PE-wall-mounted toilet connection bend DN 90/90, PE-wall-mounted toilet connection set DN 90, wall-mounted toilet fastening set M12, mounting accessoires for single installation, PE-wall-mounted toilet reduction DN 90/110 for outlet bend, 2 cover caps, pre-installed toilet frame for wall-mounted toilet, Secondary voltage: 24 V, 500 x 1148 mm</p>	500 x 1148 mm	WD1014

All drawings contain the necessary measurements which are subject to standard tolerances. They are stated in mm and are non-binding.

**SensoWash® Starck f SensoWash® Starck f Lite compact shower
toilet # 650001012004310**

|< 378 mm >|

Exact measurements, in particular for customised installation scenarios, can only be taken from the finished piece.