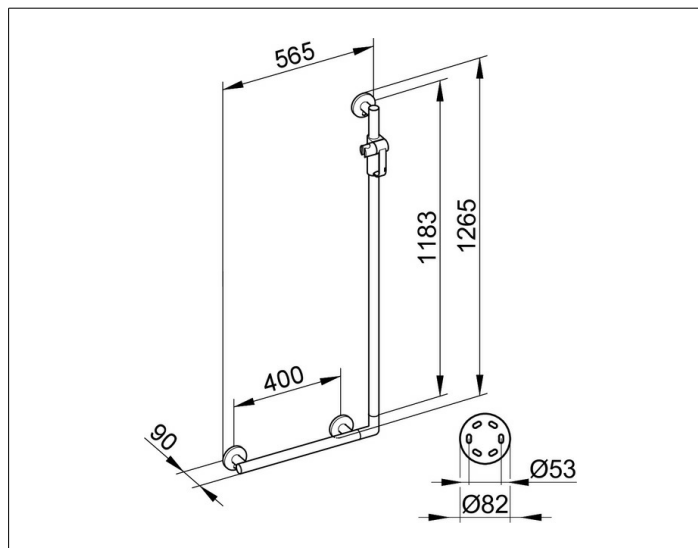


Plan Care**34906170411 Угловой поручень 90°****ИЗДЕЛИЕ****ЧЕРТЕЖ****ОПИСАНИЕ ИЗДЕЛИЯ**

для использования в качестве душевой штанги
в комплекте с держателем лейки
применяется справа и слева

ПОВЕРХНОСТЬ

алюминий анодированный(E6 EV1)/хром

ГАБАРИТЫ

565/1265 mm

СПЕЦИФИКАЦИИ

KEUCO PLAN CARE Angle bar 90° 34906170411
angle bar 90° in aluminium silver anodized/chrome plated
in esthetic, practical and ergonomic Design
may be used on the left or right
for use as shower rail up to 115 kg load capacity,
complete with shower support bracket,
anti-static,
easy to clean
Outside measurement 565/1265 mm
Pipe Diameter 33 mm,
Rosettes Diameter 82 mm
horizontal Base measurement 400 mm,
with a Total Width from 564 mm
vertical Base measurement 1182 mm,
with a Total Height of 1264 mm
Projection 90 mm,
Wall distance 57 mm

May be combined with tip-up seat with backrest
(Art. no. 34981) or spray guard (Art. no. 34940)

Included in delivery:
3 x mounting set 1 (Art. no. 34990000100)

Further mounting sets
(depending on type of wall):
3 x mounting set 4 (Art. no. 34990 000200), or
3 x mounting set 7 (Art. no. 34993 000200)
Please order additionally!