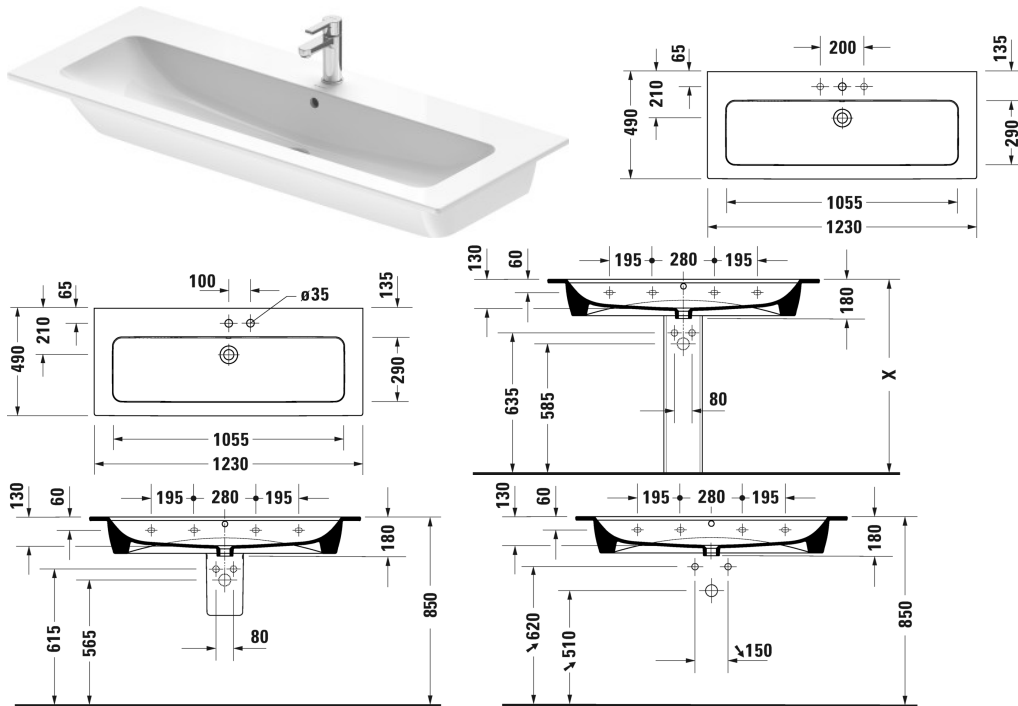


ME by Starck Washbasin, furniture washbasin # 236112..00 / 236112..00 / 236112..60

|< 1230 mm >|



Washbasin, furniture washbasin	Dimension	Weight	Order number
with overflow, with tap platform, 1230 mm			
Colors			
00 White Alpin 32 White Satin Matt			
Variant			
●	1230 x 490 mm	33.400 kilogram	236112..00
●	1230 x 490 mm	33.400 kilogram	236112..00
⊗	1230 x 490 mm	33.400 kilogram	236112..60
⊗	1230 x 490 mm	33.400 kilogram	236112..60
Sanitary ceramics with the special WonderGliss surface finish will remain clean and attractive-looking for a long time to come. When ordering WonderGliss please add a "1" as eleventh digit to the model number.			
Accessory			
Space saving siphon	1 1/4" mm	0.400 kilogram	005076
Suitable products			

**ME by Starck Washbasin, furniture washbasin # 236112..00 /
236112..00 / 236112..60 / 236112..60**

|< 1230 mm >|

Vanity unit wall-mounted 1 pull-out compartment, for ME by Starck # 233612, 236112, 1220 x 481 mm	1220 x 481 mm	LC6143
Vanity unit wall-mounted 2 drawers, upper drawer including cut-out for siphon and siphon cover, for ME by Starck # 233612, 236112, 1220 x 481 mm	1220 x 481 mm	LC6243
Vanity unit floor-standing 2 pull-out compartments, upper pull-out compartment including cut-out for siphon and siphon cover, for ME by Starck # 233612, 236112, 1220 x 481 mm	1220 x 481 mm	LC6628
Pedestal for # 233565, 233560, 233555, 233613, 233612, 233610, 233683, 233663, 236112, 233653, 175 x 210 mm	175 x 210 mm	085839
Siphon cover for # 233565, 233560, 233555, 233613, 233612, 233610, 233683, 233663, 236112, 233653, 170 x 300 mm	170 x 300 mm	085840
Vanity unit wall-mounted 2 drawers, upper drawer including cut-out for siphon and siphon cover, for ME by Starck # 233612, 236112, 1200 x 475 mm	1200 x 475 mm	KT6431
Vanity unit wall-mounted 1 pull-out compartment, for ME by Starck # 233612, 236112, 1220 x 479 mm	1220 x 479 mm	BR4004
Vanity unit wall-mounted 2 drawers, upper drawer including cut-out for siphon and siphon cover, for ME by Starck # 233612, 236112, 1220 x 479 mm	1220 x 479 mm	BR4104
Vanity unit floor-standing 2 pull-out compartments, upper pull-out compartment including cut-out for siphon and siphon cover, for ME by Starck # 233612, 236112, 1220 x 479 mm	1220 x 479 mm	BR4404
Vanity unit wall-mounted 1 pull-out compartment, for ME by Starck # 233612, 236112, 1210 x 478 mm	1210 x 478 mm	XS4074
Vanity unit wall-mounted 2 drawers, upper drawer including cut-out for siphon and siphon cover, for ME by Starck # 233612, 236112, 1210 x 478 mm	1210 x 478 mm	XS4174
Vanity unit floor-standing 2 pull-out compartments, upper pull-out compartment including cut-out for siphon and siphon cover, integrated base frame legs with height adjustment, for ME by Starck # 233612, 236112, 1210 x 478 mm	1210 x 478 mm	XS4448
Vanity unit wall-mounted 1 pull-out compartment, for ME by Starck # 233612, 236112, 1200 x 475 mm	1200 x 475 mm	XB6033
Vanity unit wall-mounted 2 drawers, upper drawer including cut-out for siphon and siphon cover, for ME by Starck # 233612, 236112, 1200 x 475 mm	1200 x 475 mm	XB6123
Vanity unit wall-mounted 1 pull-out compartment, for ME by Starck # 233612, 236112, 1210 x 480 mm	1210 x 480 mm	XV4028
Vanity unit wall-mounted 2 drawers, upper drawer including cut-out for siphon and siphon cover, for ME by Starck # 233612, 236112, 1210 x 480 mm	1210 x 480 mm	XV4128
Vanity unit floor-standing 2 pull-out compartments, upper pull-out compartment including cut-out for siphon and siphon cover, for ME by Starck # 233612, 236112, 1210 x 480 mm	1210 x 480 mm	XV4484
Vanity unit wall-mounted 1 pull-out compartment, for ME by Starck # 233612, 236112, 1210 x 462 mm	1210 x 462 mm	DE4264
Vanity unit wall-mounted 1 drawer, 1 pull-out compartment, upper drawer including cut-out for siphon and siphon cover, for ME by Starck # 233612, 236112, 1210 x 462 mm	1210 x 462 mm	DE4364

ME by Starck Washbasin, furniture washbasin # 236112..00 / 236112..00 / 236112..60 / 236112..60

|< 1230 mm >|

Vanity unit wall-mounted 1 pull-out compartment, for ME by Starck # 233612, 236112, 1210 x 480 mm	1210 x 480 mm	K25065
Vanity unit wall-mounted 2 drawers, upper drawer including cut-out for siphon and siphon cover, for ME by Starck # 233612, 236112, 1210 x 480 mm		K25265
Recommended faucets		
Single lever basin mixer M ceramic cartridge, Projection 139 mm, flexible connection hoses 3/8", aerator adjustable, normal spray, chrome, maximum temperature can be adjusted on installation, recommended operating pressure 1 - 5 bar, with pop-up waste set,		B11020001
Single lever basin mixer M ceramic cartridge, Projection 139 mm, flexible connection hoses 3/8", aerator adjustable, normal spray, chrome, maximum temperature can be adjusted on installation, recommended operating pressure 1 - 5 bar, with pop-up waste set,		B21020001
Single lever basin mixer M ceramic cartridge, Projection 139 mm, flexible connection hoses 3/8", aerator adjustable, normal spray, chrome, maximum temperature can be adjusted on installation, recommended operating pressure 1 - 5 bar, without pop-up waste set,		B11020002
Single lever basin mixer M ceramic cartridge, Projection 139 mm, flexible connection hoses 3/8", aerator adjustable, normal spray, chrome, maximum temperature can be adjusted on installation, recommended operating pressure 1 - 5 bar, without pop-up waste set,		B21020002
Single lever basin mixer M ceramic cartridge, Projection 109 mm, flexible connection hoses 3/8", aerator adjustable, normal spray, chrome, maximum temperature can be adjusted on installation, recommended operating pressure 1 - 5 bar, with pop-up waste set,		DE1020001
Single lever basin mixer M ceramic cartridge, Projection 109 mm, flexible connection hoses 3/8", aerator adjustable, normal spray, chrome, maximum temperature can be adjusted on installation, recommended operating pressure 1 - 5 bar, without pop-up waste set,		DE1020002
Single lever basin mixer M FreshStart ceramic cartridge, in centre position cold water, Projection 109 mm, flexible connection hoses 3/8", aerator adjustable, normal spray, chrome, maximum temperature can be adjusted on installation, recommended operating pressure 1 - 5 bar, with pop-up waste set,		DE1021001
Single lever basin mixer M FreshStart ceramic cartridge, in centre position cold water, Projection 109 mm, flexible connection hoses 3/8", aerator adjustable, normal spray, chrome, maximum temperature can be adjusted on installation, recommended operating pressure 1 - 5 bar, without pop-up waste set,		DE1021002
Single lever basin mixer M FreshStart ceramic cartridge, in centre position cold water, projection 135 mm, flexible connection hoses 3/8", flow rate 5,0 l/min (3 bar), normal spray, connection size DN15, maximum temperature can be adjusted on installation, recommended operating pressure 1 - 5 bar, with pop-up waste set,		TU1021001

ME by Starck Washbasin, furniture washbasin # 236112..00 / 236112..00 / 236112..60 / 236112..60

|< 1230 mm >|

Single lever basin mixer M FreshStart ceramic cartridge, in centre position cold water, projection 135 mm, flexible connection hoses 3/8", flow rate 5,0 l/min (3 bar), normal spray, connection size DN15, maximum temperature can be adjusted on installation, recommended operating pressure 1 - 5 bar, without pop-up waste set,	TU1021002
Single lever basin mixer M ceramic cartridge, projection 135 mm, flexible connection hoses 3/8", flow rate 5,0 l/min (3 bar), normal spray, connection size DN15, maximum temperature can be adjusted on installation, recommended operating pressure 1 - 5 bar, without pop-up waste set,	TU1020002
Single lever basin mixer M ceramic cartridge, projection 135 mm, flexible connection hoses 3/8", flow rate 5,0 l/min (3 bar), normal spray, connection size DN15, maximum temperature can be adjusted on installation, recommended operating pressure 1 - 5 bar, with pop-up waste set,	TU1020001
Single lever basin mixer M ceramic cartridge, projection 122 mm, aerator with Easy-clean sprayplate, flow rate 5,0 l/min (3 bar), normal spray, connection size DN15, recommended operating pressure 1 - 5 bar, with pop-up waste set,	WA1020001
Single lever basin mixer M ceramic cartridge, projection 122 mm, aerator with Easy-clean sprayplate, flow rate 5,0 l/min (3 bar), normal spray, connection size DN15, recommended operating pressure 1 - 5 bar, without pop-up waste set,	WA1020002
Single lever basin mixer for concealed installation normal spray, ceramic cartridge, aerator with Easy-clean sprayplate, flow rate 5,0 l/min (3 bar), connection type: basic set for concealed installation, includes: visible parts, recommended operating pressure 1 - 5 bar, projection 202 mm,	WA1070004
Single lever basin mixer M ceramic cartridge, projection 129 mm, aerator with Easy-clean sprayplate, flow rate 5,0 l/min (3 bar), normal spray, recommended operating pressure 1 - 5 bar, with pop-up waste set,	MH1020001
Single lever basin mixer M ceramic cartridge, projection 129 mm, aerator with Easy-clean sprayplate, flow rate 5,0 l/min (3 bar), normal spray, recommended operating pressure 1 - 5 bar, without pop-up waste set,	MH1020002
Single lever basin mixer for concealed installation normal spray, ceramic cartridge, aerator with Easy-clean sprayplate, flow rate 5,0 l/min (3 bar), connection type: basic set for concealed installation, recommended operating pressure 1 - 5 bar,	MH1070004
Single lever basin mixer M FreshStart ,	MH1021001
Single lever basin mixer M FreshStart ,	MH1021002
Single lever basin mixer M MinusFlow ,	MH1022001
Single lever basin mixer M MinusFlow ,	MH1022002
Single lever basin mixer M FreshStart connection size DN15,	WA1021001
Single lever basin mixer M FreshStart connection size DN15,	WA1021002
Single lever basin mixer M MinusFlow connection size DN15,	WA1022001
Single lever basin mixer M MinusFlow connection size DN15,	WA1022002

**ME by Starck Washbasin, furniture washbasin # 236112..00 /
236112..00 / 236112..60 / 236112..60**

|< 1230 mm >|

All drawings contain the necessary measurements which are subject to standard tolerances. They are stated in mm and are non-binding. Exact measurements, in particular for customised installation scenarios, can only be taken from the finished piece.