

Technical Data

KLUDI L STEEL
Kitchen faucet

Ref.:
45803F877

Finishes:
F8 stainless steel hairline finish

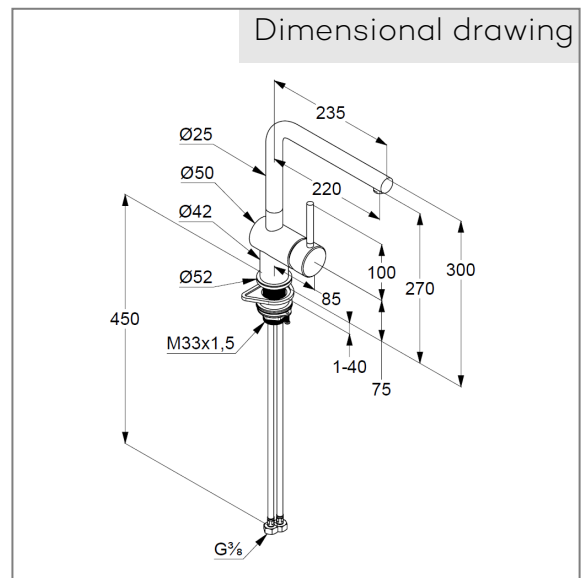
Product description
Manufacturer KLUDI GmbH & Co. KG
Typ: KLUDI L STEEL
Kitchen faucet
Ref.: 45803F877

Kitchen faucet DN 15
single lever mixer
single hole mounted
solid lever, metal
lateral actuation
Aerator M18
ceramic cartridge
flow rate at 3 bar = 9 l/ min.
swivel spout
flexible hoses G 3/8 DVGW approved
shank-fixing

Product picture



Dimensional drawing



Flow rate diagram

