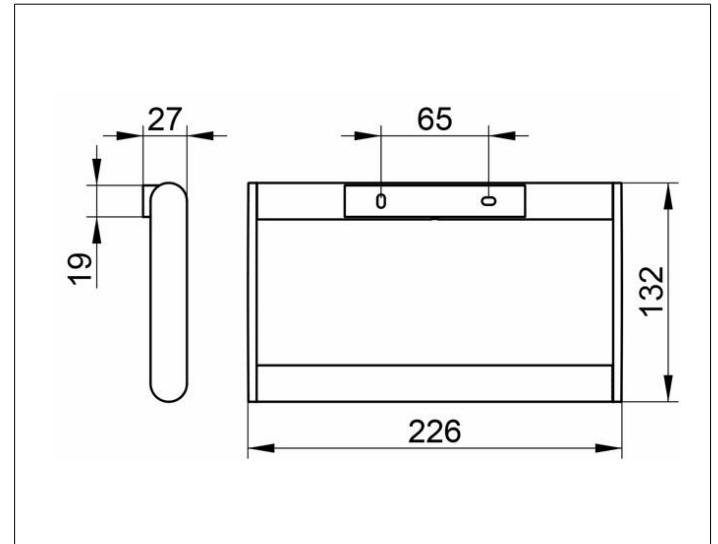


Plan
14921070000 Towel ring

PRODUCT



DRAWING



SURFACE
 stainless steel

SPECIFICATIONS

KEUCO PLAN towel ring 14921070000
 Towel ring in high grade stainless steel, in a stylish yet functional design
 Closed form, rectangular
 Towel arm swivels, load bearing up to 25 kg, anti static, easy to clean
 Width 226 mm, height 132 mm
 The towel ring is fitted with 2 hidden fixing points
 incl. corrosion-free mounting material