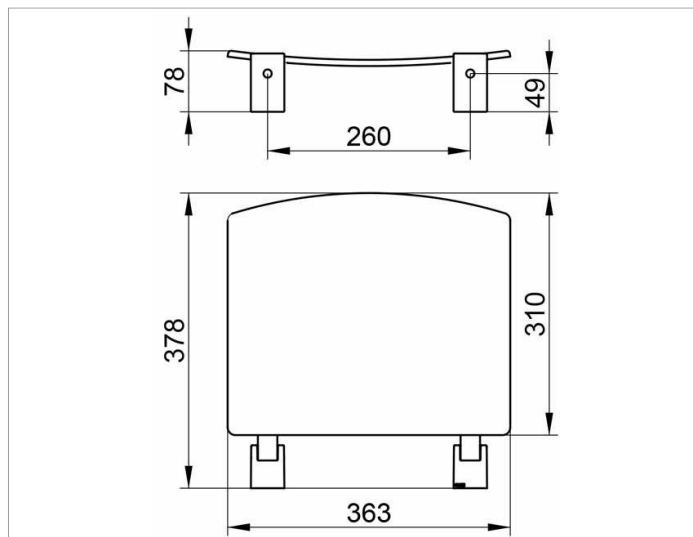


Plan
14980010051 Складное сиденье

ИЗДЕЛИЕ



ЧЕРТЕЖ



ОПИСАНИЕ ИЗДЕЛИЯ

для настенного монтажа сиденье откидывается вверх

поверхность

хром/белый (RAL 9010)

спецификации

KEUCO PLAN Tip-up seat
14980010051
white (RAL 9010) Fold-up seat
made from Polypropylene
in esthetic, practical Design,
for wall mounting
for secure seating in the shower
Wall support and seat support
as Design Feature high shine chrome-plated
anti-static,
easy Cleaning
upward foldable seat
load capacity up to 110 kg
Width 363 mm,
seat area 310 mm
Distance between boreholes 260 mm,
Extendable 378 mm
The seat will be mounted on 2 discrete brackets
and is TUEV-GS tested
The Mounting material is to be ordered separately!

It is essential for installation to order the correct screws/bolts depending on type of wall,
please see below
1 x Mounting-Set 3 (Catalogue-no. 34992000100) or
1 x Mounting-Set 6 (Catalogue-no. 34992000200) or
1 x Mounting-Set 9 (Catalogue-no. 34995000200) or
1 x Mounting-Set 11 (Catalogue-no. 34997000100)