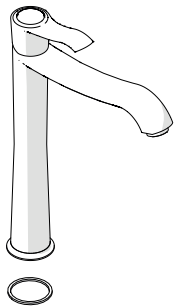


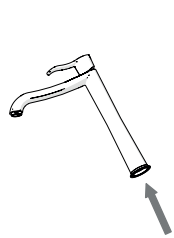
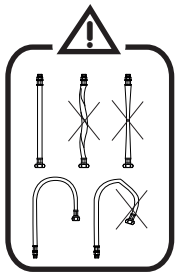
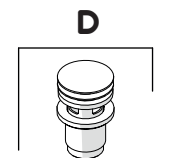
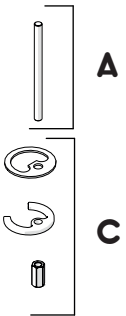
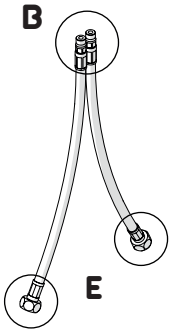
+



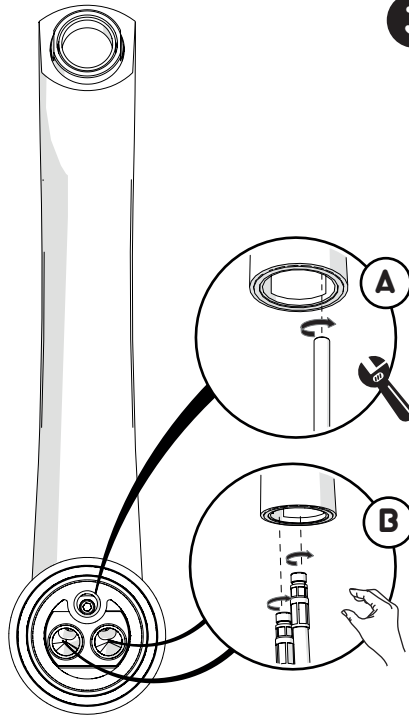
Not included / Non incluso / Non inclus / Nie zawarty/ No incluido / Não incluido



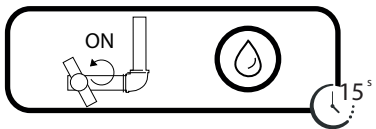
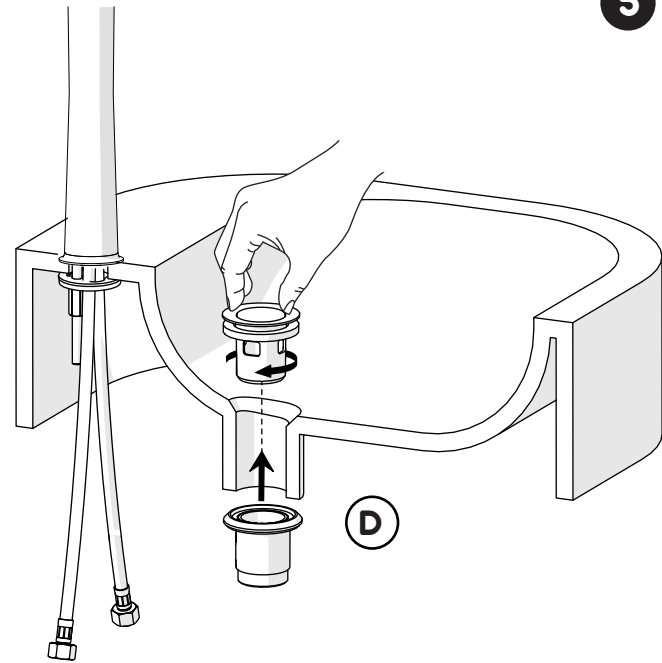
1



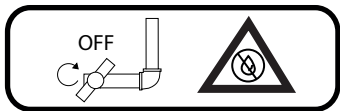
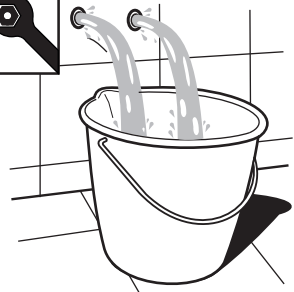
3



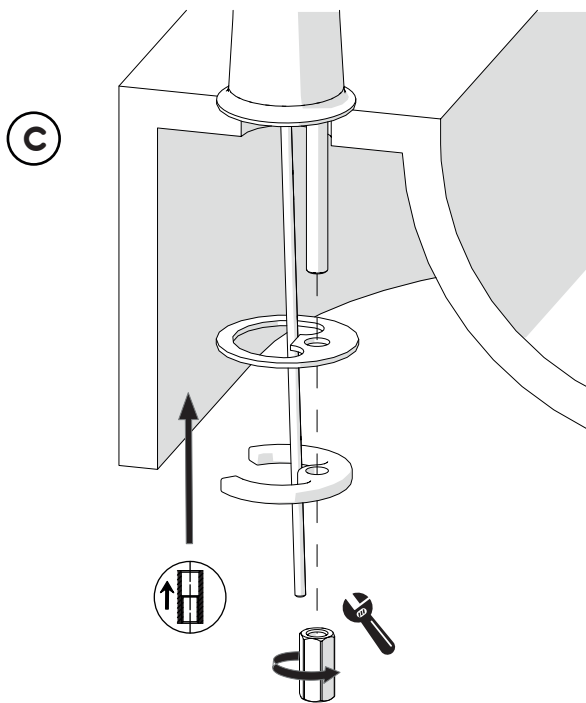
5



2

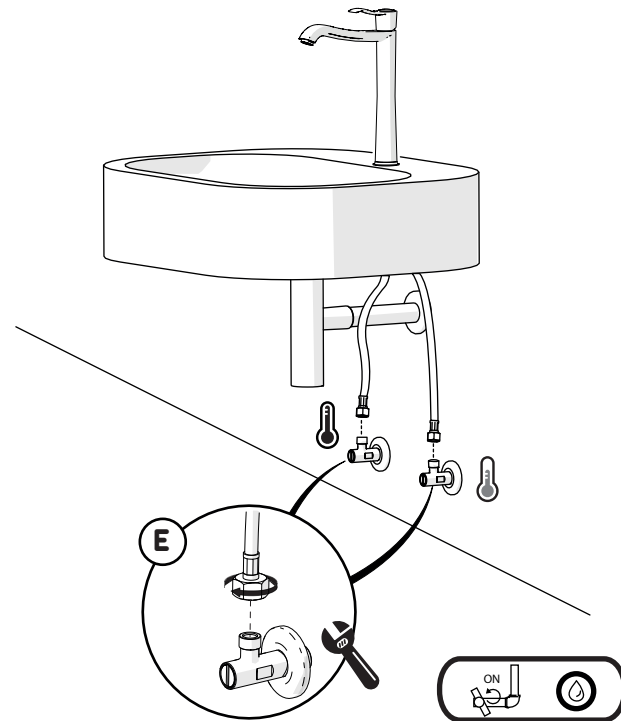


C



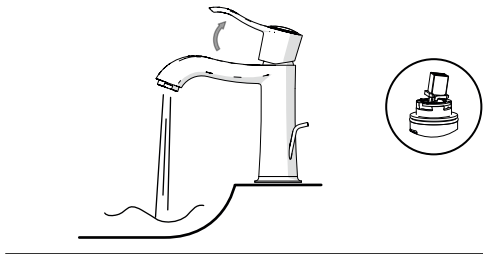
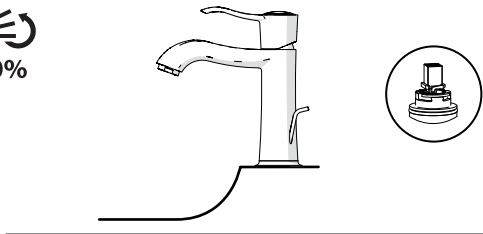
4

6

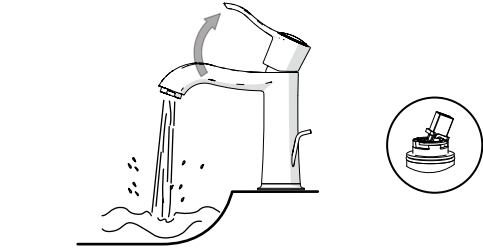


 -50%

7

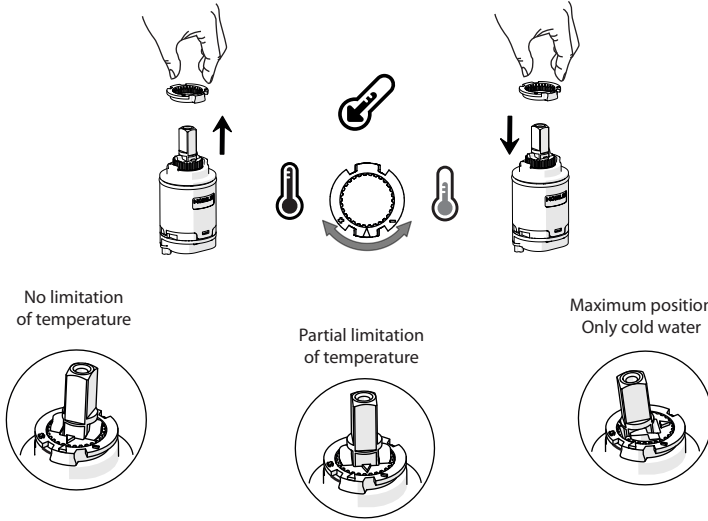


ON 50%



ON 100%

9

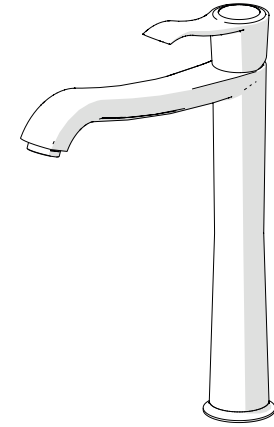


No limitation of temperature

Partial limitation of temperature

Maximum position Only cold water

NOBILIS
The Best Technology for Water



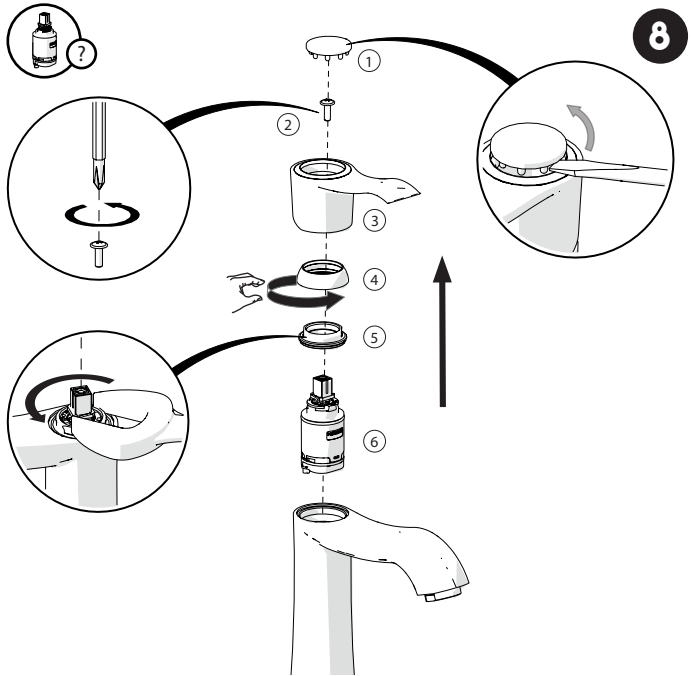
SI98128/2



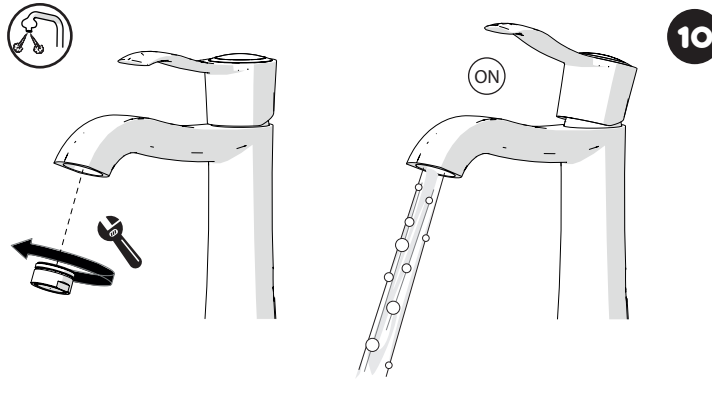
www.grupponobili.it

IISTR98128/2#---STD

REV1.09/2013



8



10

CLEANING

