

Multiplex drain/overflow functional unit

Instructions for Use



Model
6163.1

Year built:
from 06/2015

en_INT



Table of contents

1	About these instructions for use	4
1.1	Target groups	4
1.2	Labelling of notes	4
1.3	About this translated version	5
2	Product information	6
2.1	Intended use	6
2.1.1	Areas of use	6
2.2	Product description	6
2.2.1	Overview	6
2.2.2	Technical data	7
2.3	Accessories	8
3	Handling	10
3.1	Assembly information	10
3.1.1	Mounting conditions	10
3.1.2	Installation dimensions	10
3.1.3	Required tools and materials	10
3.2	Assembly	11
3.2.1	Mounting overflow	11
3.2.2	Mounting the drain	11
3.2.3	Connecting overflow and drain	12
3.2.4	Connecting the wastewater system	13
3.2.5	Mounting equipment set	14
3.2.6	Leakage test	15
3.3	Control	16
3.4	Maintenance	16
3.5	Disposal	17

1 About these instructions for use

Trade mark rights exist for this document, further information can be found at viega.com/legal.

1.1 Target groups

The information in this instruction manual is directed at the following groups of people:

- Heating and sanitary professionals and trained personnel
- Operators
- Consumers

It is not permitted for individuals without the abovementioned training or qualification to mount, install and, if required, service this product. This restriction does not extend to possible operating instructions.

The installation of Viega products must take place in accordance with the general rules of engineering and the Viega instructions for use.

1.2 Labelling of notes

Warning and advisory texts are set aside from the remainder of the text and are labelled with the relevant pictographs.



DANGER!

This symbol warns against possible life-threatening injury.



WARNING!

This symbol warns against possible serious injury.



CAUTION!

This symbol warns against possible injury.



NOTICE!

This symbol warns against possible damage to property.



Notes give you additional helpful tips.

1.3 About this translated version

This instruction for use contains important information about the choice of product or system, assembly and commissioning as well as intended use and, if required, maintenance measures. The information about the products, their properties and application technology are based on the current standards in Europe (e. g. EN) and/or in Germany (e. g. DIN/DVGW).

Some passages in the text may refer to technical codes in Europe/Germany. These should serve as recommendations in the absence of corresponding national regulations. The pertinent national laws, standards, regulations and guidelines, as well as other technical guidelines, have priority over German/European guidelines in this manual: The information is not binding for other countries and territories and should, as mentioned, be considered as support.

2 Product information

2.1 Intended use

2.1.1 Areas of use

**NOTICE!****Risk of damage due to unsuitable liquids.**

To avoid damaging the drain, only introduce the following liquids:

- Liquids with a pH-value higher than 4
- typical household water with a maximum temperature of 95 °C

The Multiplex drain/overflow is a combined drain and overflow with odour trap for bathtubs with a 52 mm drain hole.

The drain / overflow is suitable for bathtubs with a middle connection.

Detailed information regarding all bathtub models and the corresponding Viega drains / overflows can be found in the catalogue or on the Internet.

An equipment set with rotatable rosette and valve cone must be purchased separately.

2.2 Product description

2.2.1 Overview

The following components are included in the scope of delivery of the Multiplex drain / overflow:

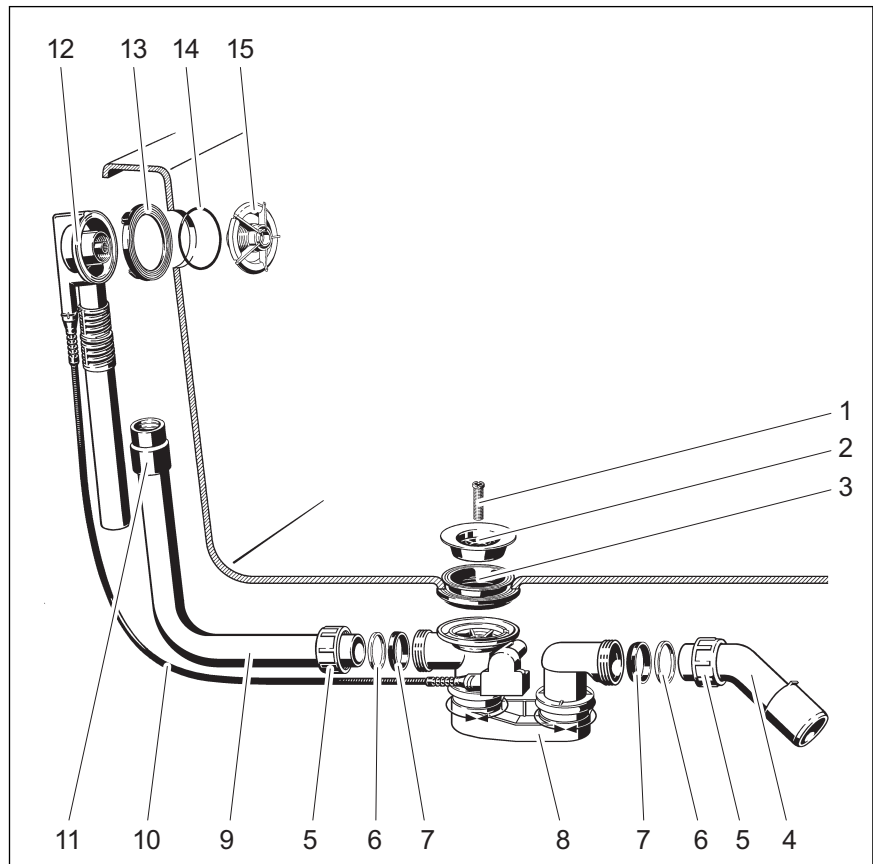


Fig. 1: Component overview

- 1 - fixing screw
- 2 - valve top
- 3 - double seal
- 4 - drain elbow
- 5 - union nut
- 6 - sliding ring
- 7 - seal
- 8 - odour trap
- 9 - overflow pipe
- 10 - Bowden cable
- 11 - sleeve
- 12 - overflow unit
- 13 - profile seal
- 14 - O-ring
- 15 - fixing flange

2.2.2 Technical data

Drainage capacity (at an accumulation height of 300 mm)	0.87 l/s
Overflow capacity (at an accumulation height of 60 mm)	0.63 l/s
Diameter of bathtub drain hole	52 mm

DN (nominal diameter) drain support	40 / 50 mm
Length of Bowden cable	725 mm
Length	130–370 mm
Height	180–430 mm
Dimensions and installation depth	☞ Chapter 3.1.2 „Installation dimensions“ on page 10
Water head seal	50 mm

2.3 Accessories



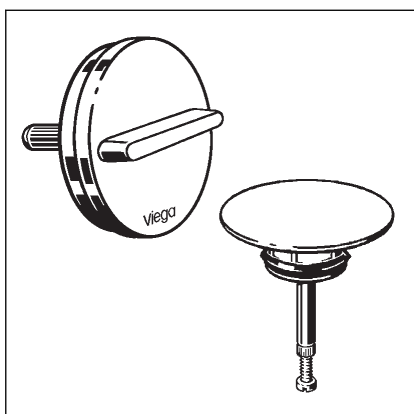
The accessories shown here are not included in the scope of delivery. If required, it must be purchased separately.

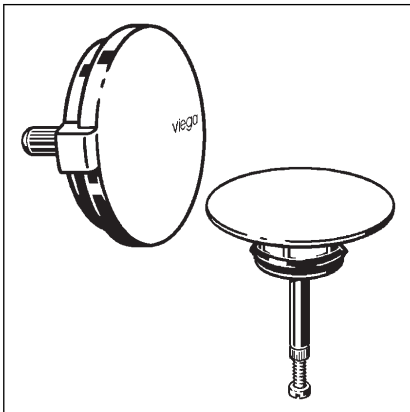
Required accessories

Equipment sets

As this product is a the functional unit (without rotatable rosette and valve cone), you require an equipment set to enable complete mounting. Equipment sets contain a rotatable rosette for the overflow and a valve cone for the drain of the functional unit. You can find a choice of different models in various designs in the catalogue.

Equipment set Multiplex Visign M3: Model 6154.0



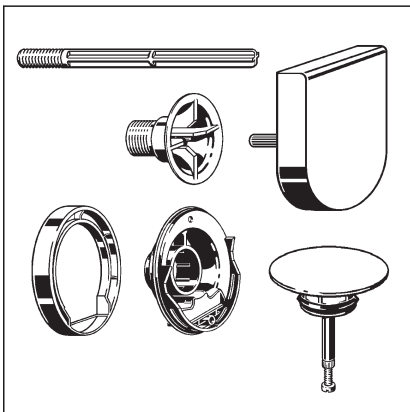


Equipment set Multiplex Visign M5: Model 6162.01

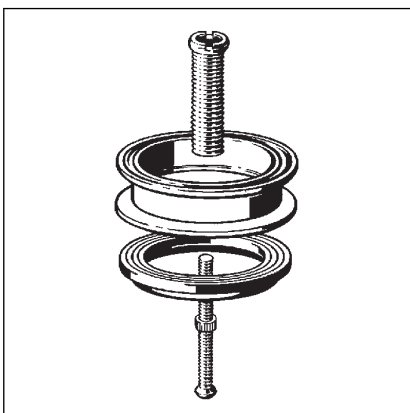
Optional accessories

Equipment set with water level increase

The water level of the overflow can be increased by 5 cm with the equipment set. The equipment set contains a rotatable rosette, a fixing flange, a valve cone, a fixing screw, a flange cover and a mounting aid for the drain of the functional unit.



Equipment set Multiplex Visign M9: Model 6171.0



Multiplex extension set

It is possible to extend the odour trap below the bathtub in the case of bathtubs with a very thick floor. The extension set, model 6161.7, is available for such cases.

3 Handling

3.1 Assembly information

3.1.1 Mounting conditions

The following requirements exist for the mounting of the drain / overflow:

- The bathtub is installed.
- The drainage line is installed all the way to the bathtub.
- The underside of the bathtub is accessible.

3.1.2 Installation dimensions

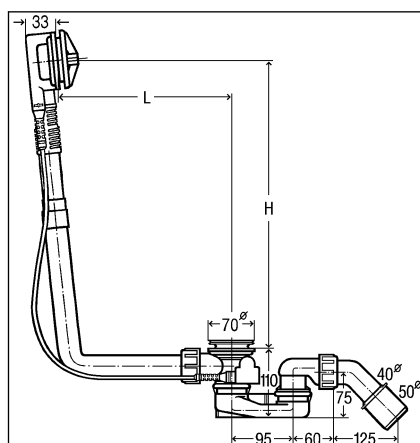


Fig. 2: Dimensional drawing

The following values are valid for L (length) and H (height):

L = 130–370

H = 180–430

3.1.3 Required tools and materials

Tool

The following tools are required for mounting:

- socket wrench (SW 14)
- fine-toothed saw
- slotted screwdriver

Material

The following material must be purchased separately and must be available during mounting:

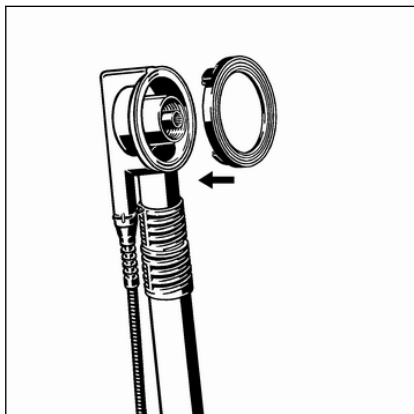
- equipment set

3.2 Assembly

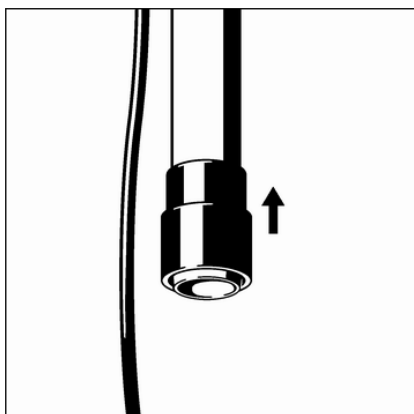
3.2.1 Mounting overflow

Proceed as follows to the mounting of the overflow:

- Fit profile seal in the overflow unit.

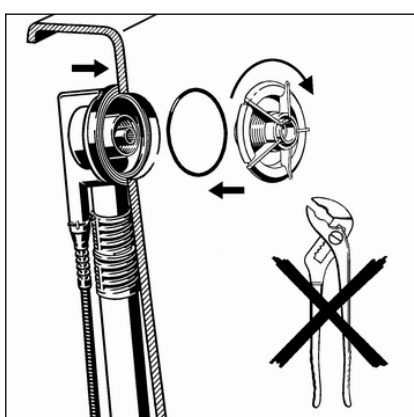


- Push the rubber sleeve onto the overflow unit pipe until the lower edge is flush with the edge of the overflow pipe.



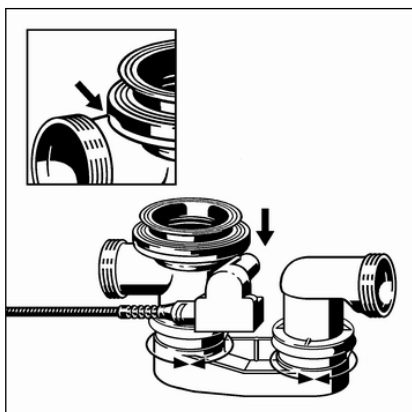
- Place the O-ring in the annular gap of the fixing flange.
- Hold the overflow unit on the overflow opening of the bathtub from the outside.
- Screw the fixing flange into the overflow unit by hand.

Pliers or other tools may damage the fixing flange. Only turn the fixing flange by hand.

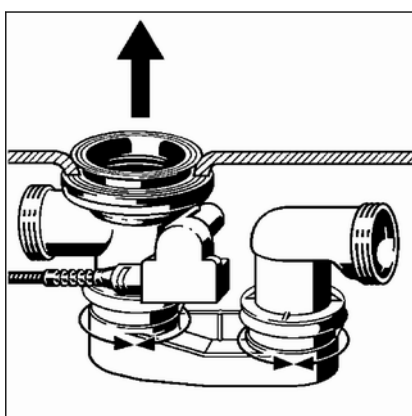


3.2.2 Mounting the drain

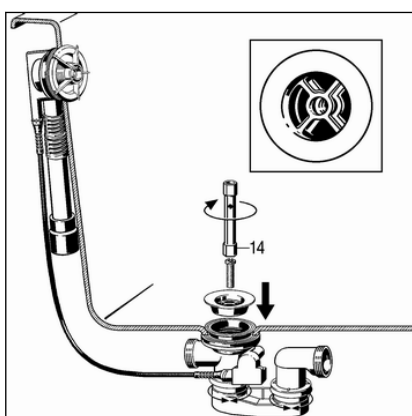
Proceed as follows to mount the drain:



- Place the double seal onto the drain unit in such a way that the recess is positioned over the connecting pipe.
- Pull the edge of the double seal over the edge of the drain.



- Hold the drain with double seal onto the drain opening from below.
- Pull the upper part of the double seal through the drain hole.



- Fit the valve top in the double seal.
- INFO! The cross-shaped structures of the drain units and the valve top must be positioned parallel on top of each other to ensure the full drainage capacity.**
- Place the fixing screw in the drain unit and tighten using a socket wrench (SW 14).

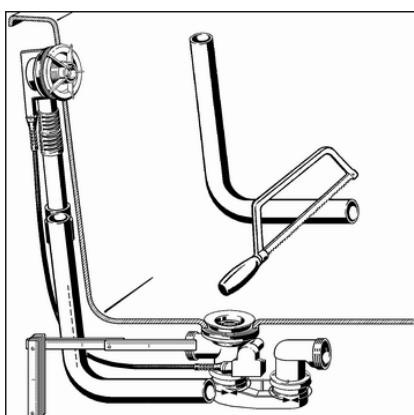
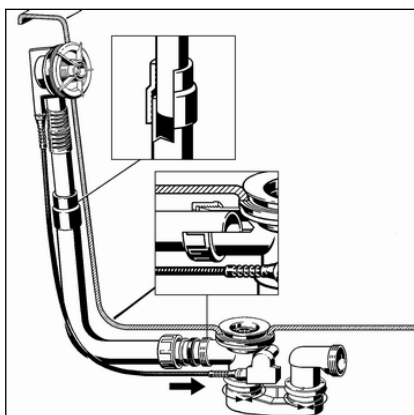
3.2.3 Connecting overflow and drain

After the overflow and the drain have been mounted, you must connect them both using the overflow pipe. Proceed as follows:

Requirements:

- The overflow is mounted in the overflow opening.
- The drain is securely mounted on the base of the bathtub.

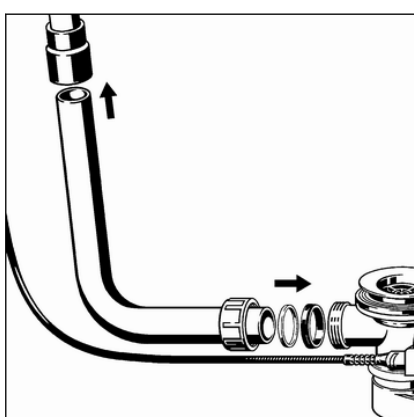
NOTICE! Connections where the pipes are not inserted far enough into each other become leaky. For this reason, maintain a minimum insertion depth of 15 mm for every connection.



- Hold the pipe of the overflow unit parallel to the overflow pipe and mark the positions where the drain and the overflow should be connected.

Maintain an insertion depth of at least 15 mm!

- Cut the overflow pipe to the marked length and, if necessary, deburr.



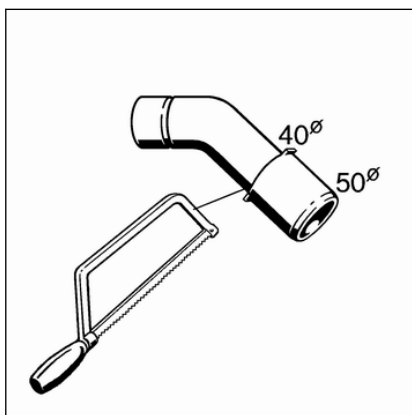
- Push the top end of the overflow pipe into the rubber sleeve. Maintain an insertion depth of at least 15 mm!
- Push the union nut, sliding ring and seal onto the bottom end of the drain elbow.
- Screw the union nut on the drain unit.

3.2.4 Connecting the wastewater system

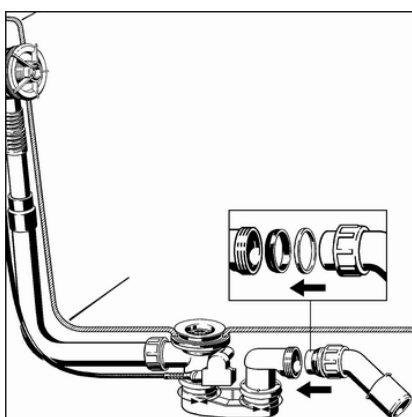
Proceed as follows to connect the drain/overflow to the wastewater system:

Requirements:

- The overflow and drain units are installed on the bathtub.
- The connection between overflow and drain has been made.
- If the wastewater pipe only has a diameter of 40 mm, cut off drain elbow.



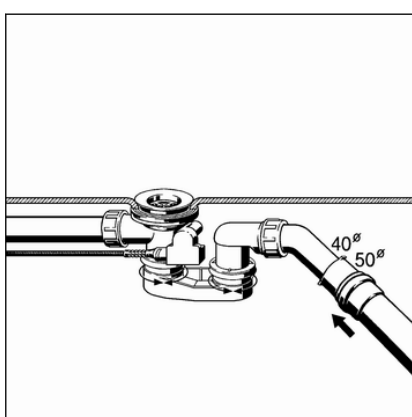
- Push union nut, sliding ring and seal onto the drain elbow.
- Screw the union nut on the drain unit.



- Align the odour trap in such a way that the drain elbow can be connected to the wastewater pipe.

Turn the drain at the joints until the required position has been reached.

- Push wastewater pipe in the drain elbow.

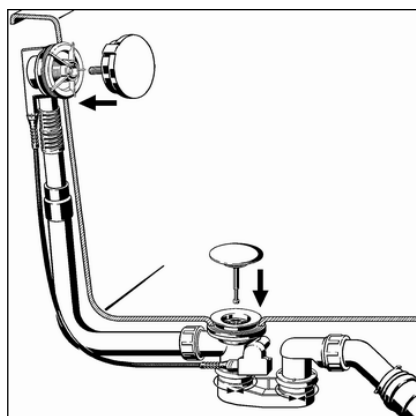


3.2.5 Mounting equipment set



The equipment set is not included in the scope of delivery and must be purchased separately.

To avoid damage to the rosette and valve cone, only mount the equipment set after finishing all other work on the building site. Proceed as follows:

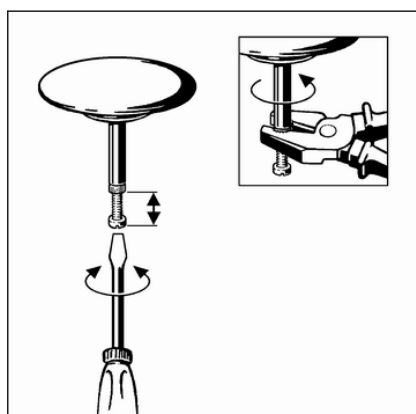


- Align and fit rotatable rosette.
- Fit valve cone.

- Turn rotatable rosette to check function and alignment.

The opening of the valve cone should be 2–3 cm wide when opened. If necessary, regulate the width of the opening of the valve cone using the adjusting screw (see next step).

- Set the valve cone with the help of the adjusting screw and counter with union nut.

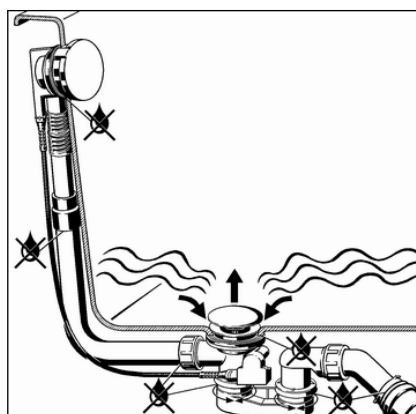


3.2.6 Leakage test

The leakage test is only carried out as a visual inspection.

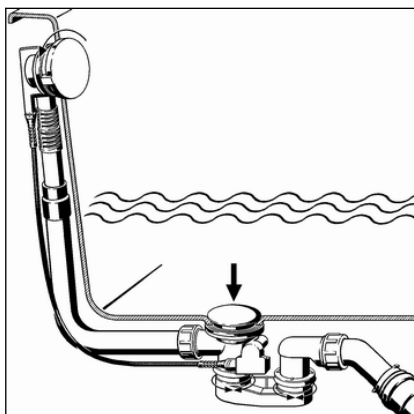
Check the points marked in the following drawing with particular care:

- Check drain fitting for visible leaks.



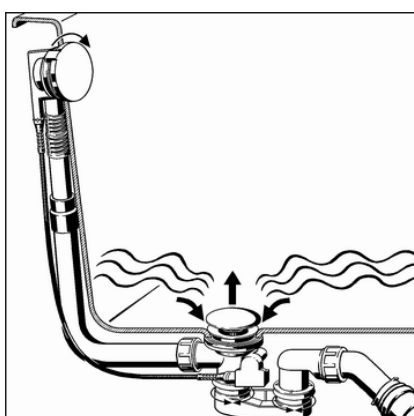
3.3 Control

The drain / overflow are controlled via rotatable rosette on the overflow. Proceed as follows to open or close the drain:



► Turn rotatable rosette to the left.

⇒ The drain closes itself.



► Turn rotatable rosette to the right.

⇒ The drain opens itself.

3.4 Maintenance



NOTICE!

Risk of damage due to unsuitable cleaning agent.

The following cleaning agents can damage chrome-plated surfaces and therefore may not be used:

- scouring agent
- abrasive sponges
- lime, plaster or cement dissolver
- solvents or other acidic cleaning agents

Normal soap or a mild cleaning agent can be used for regular care and prevention of lime scale on the rotatable rosette and valve cone. Under no circumstances should scouring agent or scratching objects be used.

Strong stains, even around the drain unit and the siphon, can be removed using typical household cleaner. It should be noted that the cleaning agent should be rinsed off after the prescribed soaking time. There should be no residue on the components.

3.5 Disposal

Separate the product and packaging materials (e. g. paper, metal, plastic or non-ferrous metals) and dispose of in accordance with valid national legal requirements.