

AXOR Carlton Grab bar

Surfaces: **Chrome** Article Number: **41430000**



Description

product features

- drilling distance 280 x 170 mm
- material: metal
- wall-mounted
- length 345 mm
- TÜV certified
- TÜV Cert B18 02 14237 105

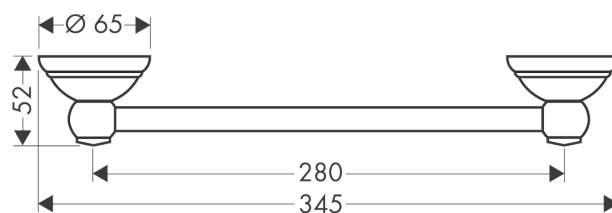
Certificates



Product image



Scale drawing

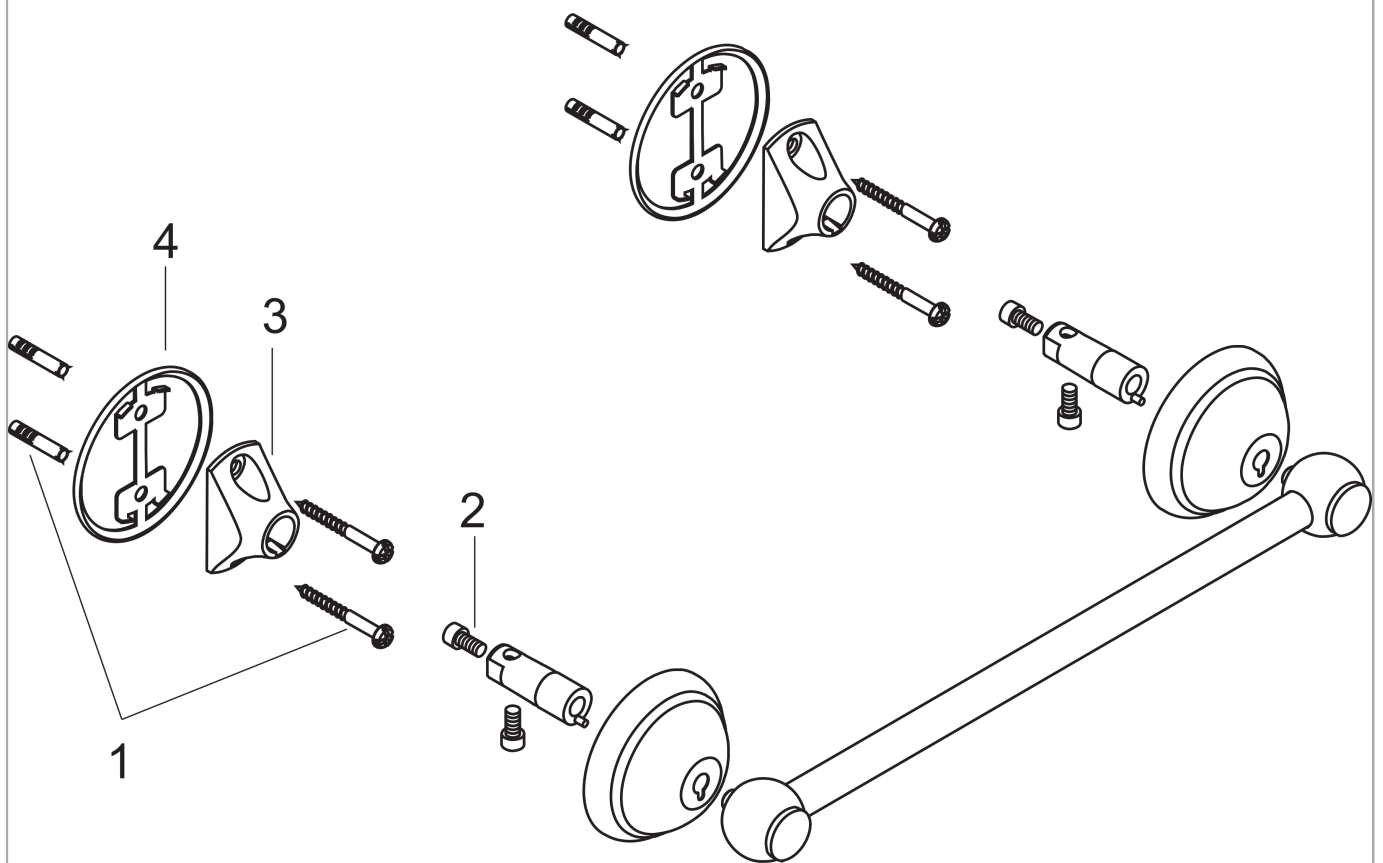


AXOR Carlton
Grab bar
Surfaces: **Chrome** Article Number: **41430000**



Exploded Drawing

Year of production: >07/00



AXOR Carlton
Grab bar
 Surfaces: **Chrome** Article Number: **41430000**



Spare part list

Year of production: >07/00

Pos.	Description	Article Number	PC	PU
1	mounting set	40915000	4	1
2	hexagon socket screw M4x10	97661000	2	1
3	support element	96341000	4	1
4	deco-ring	96530XXX	10	-