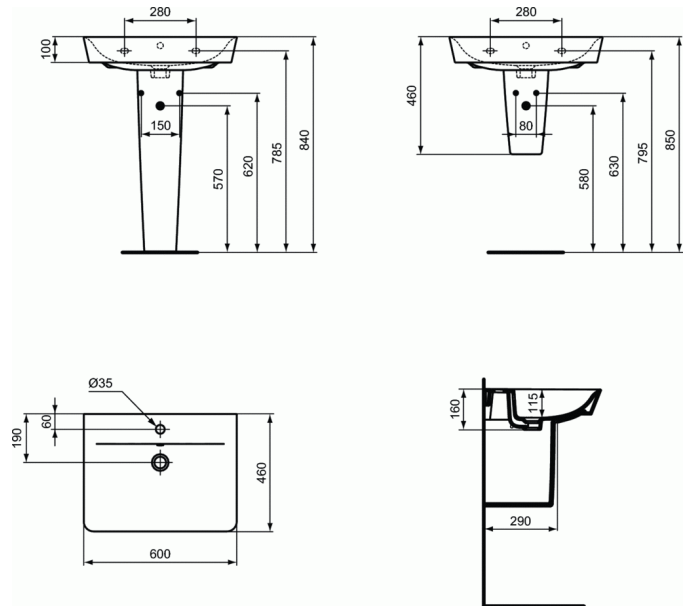


CONNECT AIR

Washbasins CUBE design



Washbasins CUBE design

central taphole punched
in carton box
EN 14688
for assembly with pedestal E074901, or semi-pedestal E074801, or C.Air Cube Basin units or alone with siphon
600 x 460 x 160
16kg.

FINISHES*



* 01 = Euro White, V3 = Silk Black (Matt Black)

REQUIRED

Washbasins CUBE design

E0298