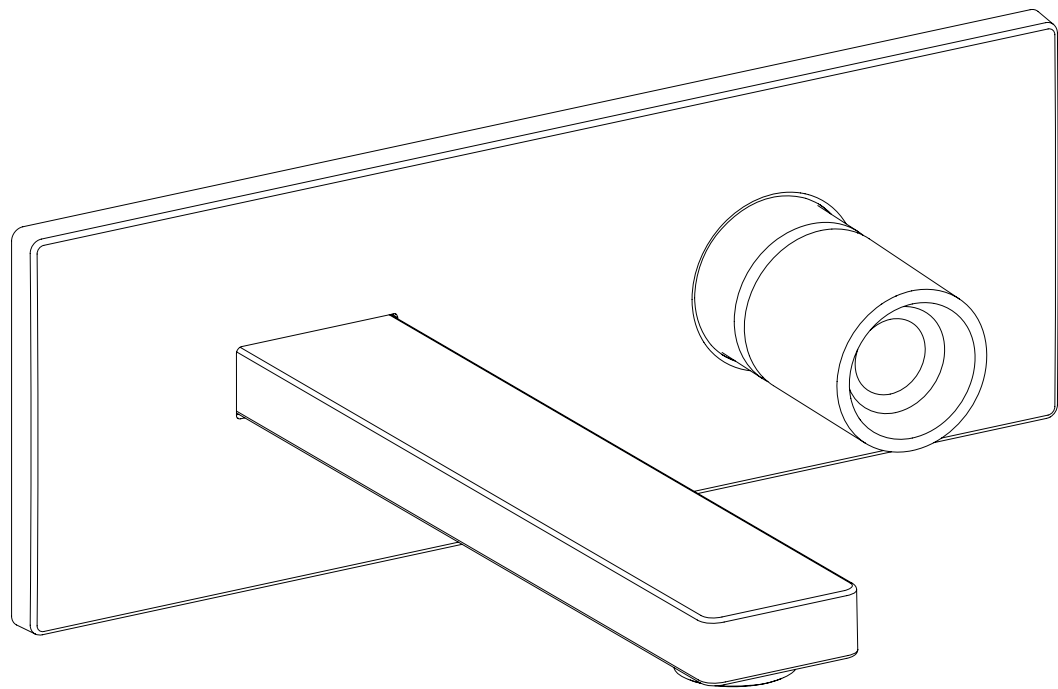
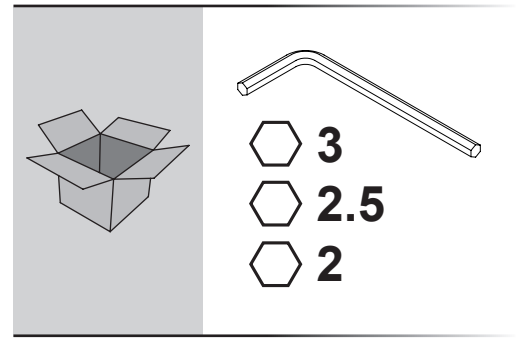
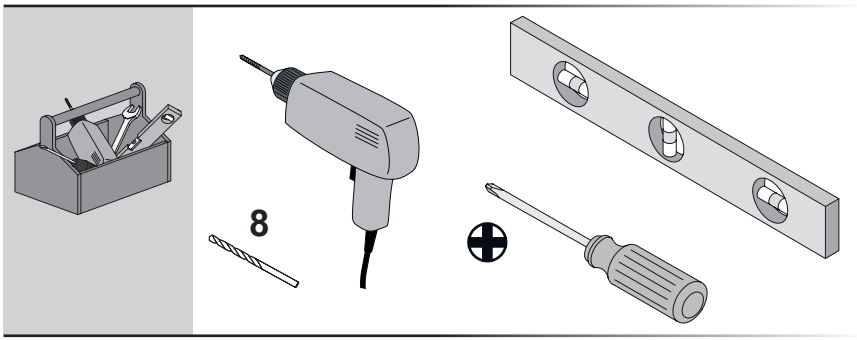


Jacob Delafon

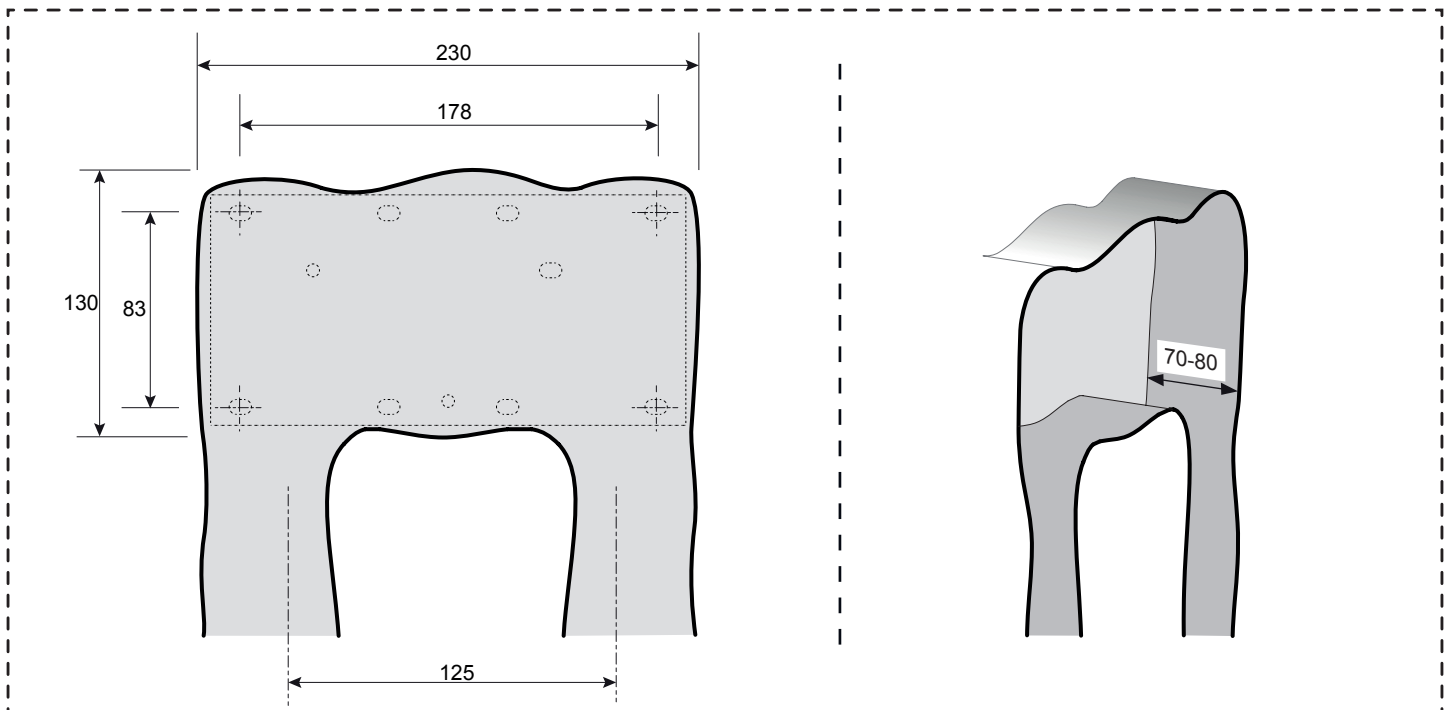
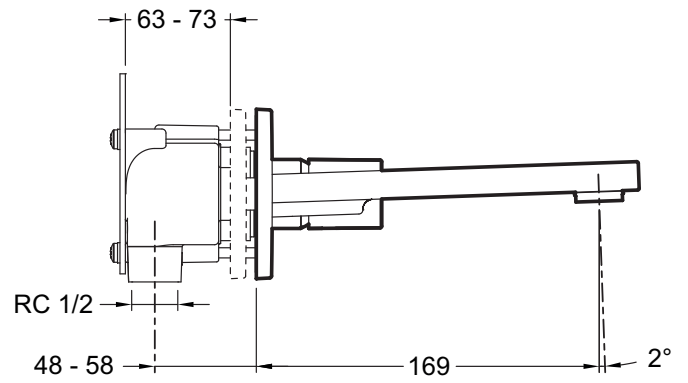
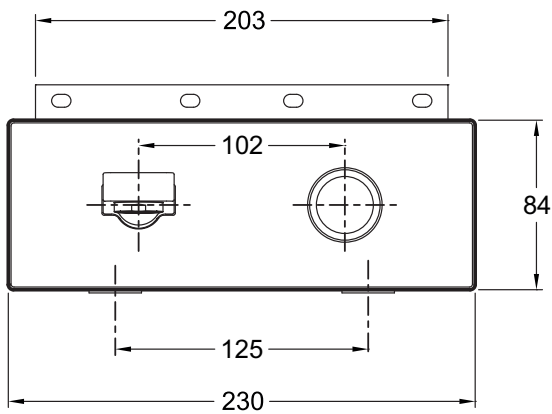


COMPOSED

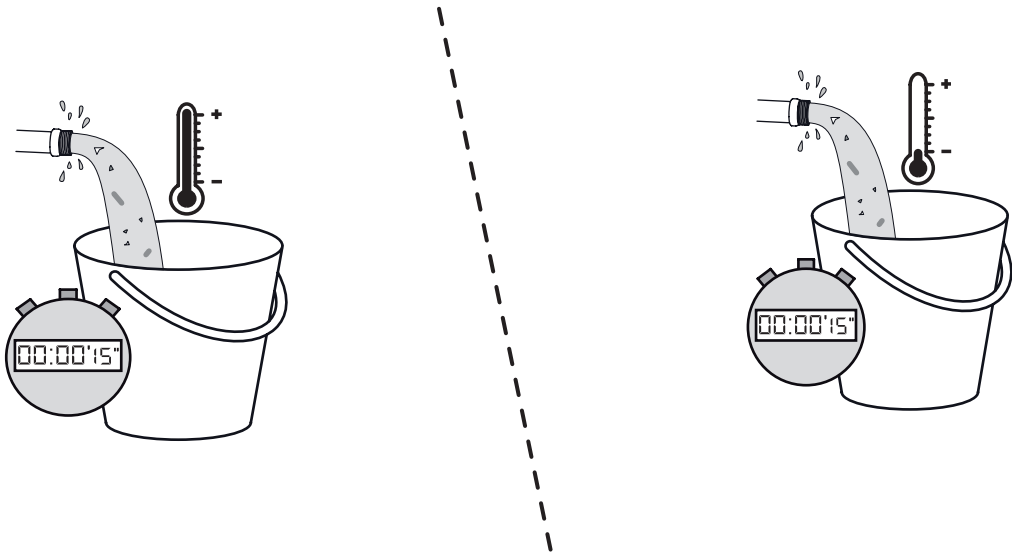


	Bar	0.5 < 3 < 6
	°C	55 < 60 < 65

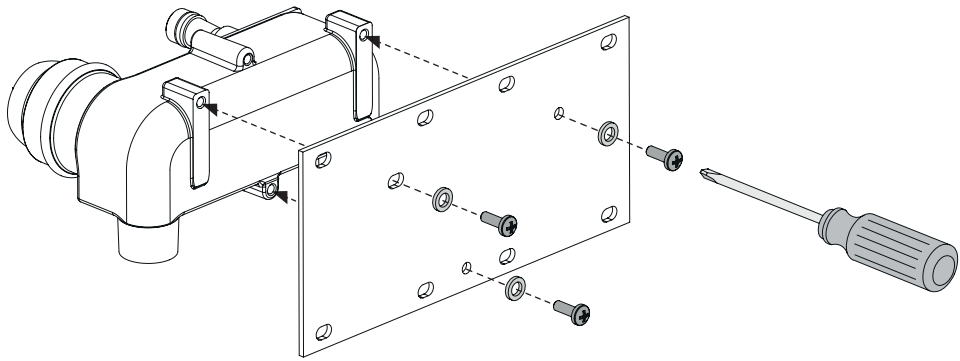
E73061-**



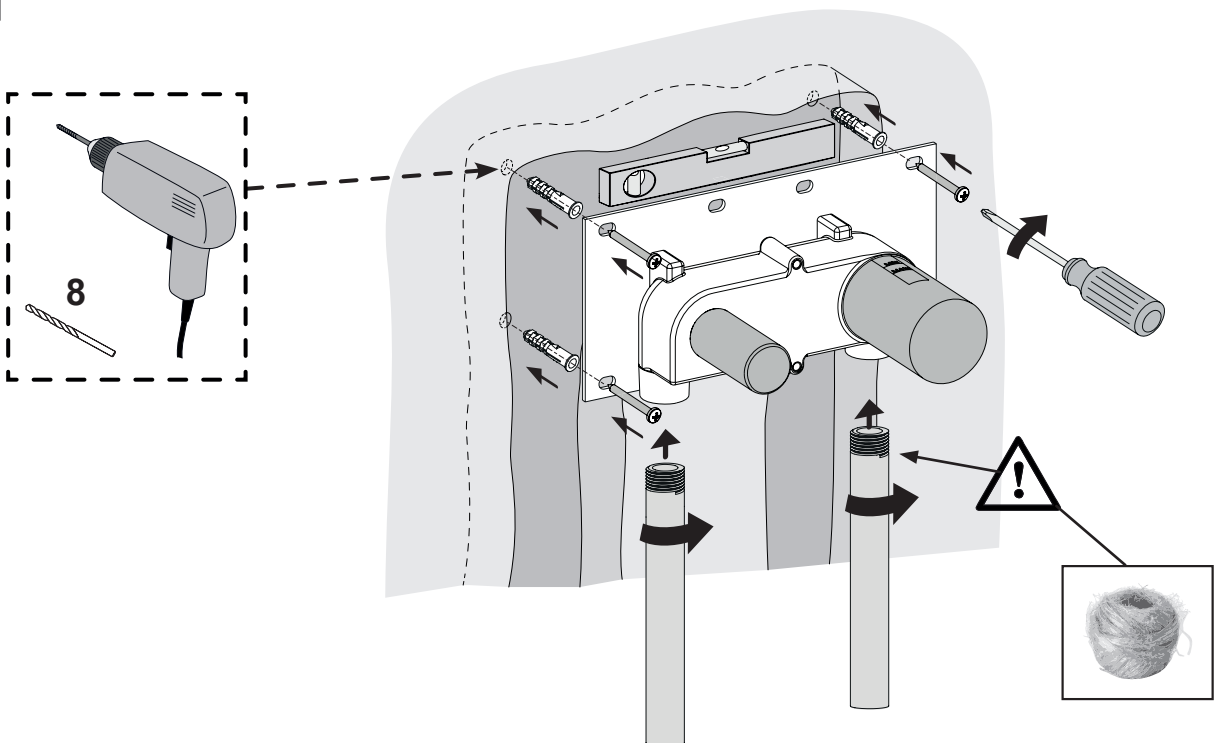
1

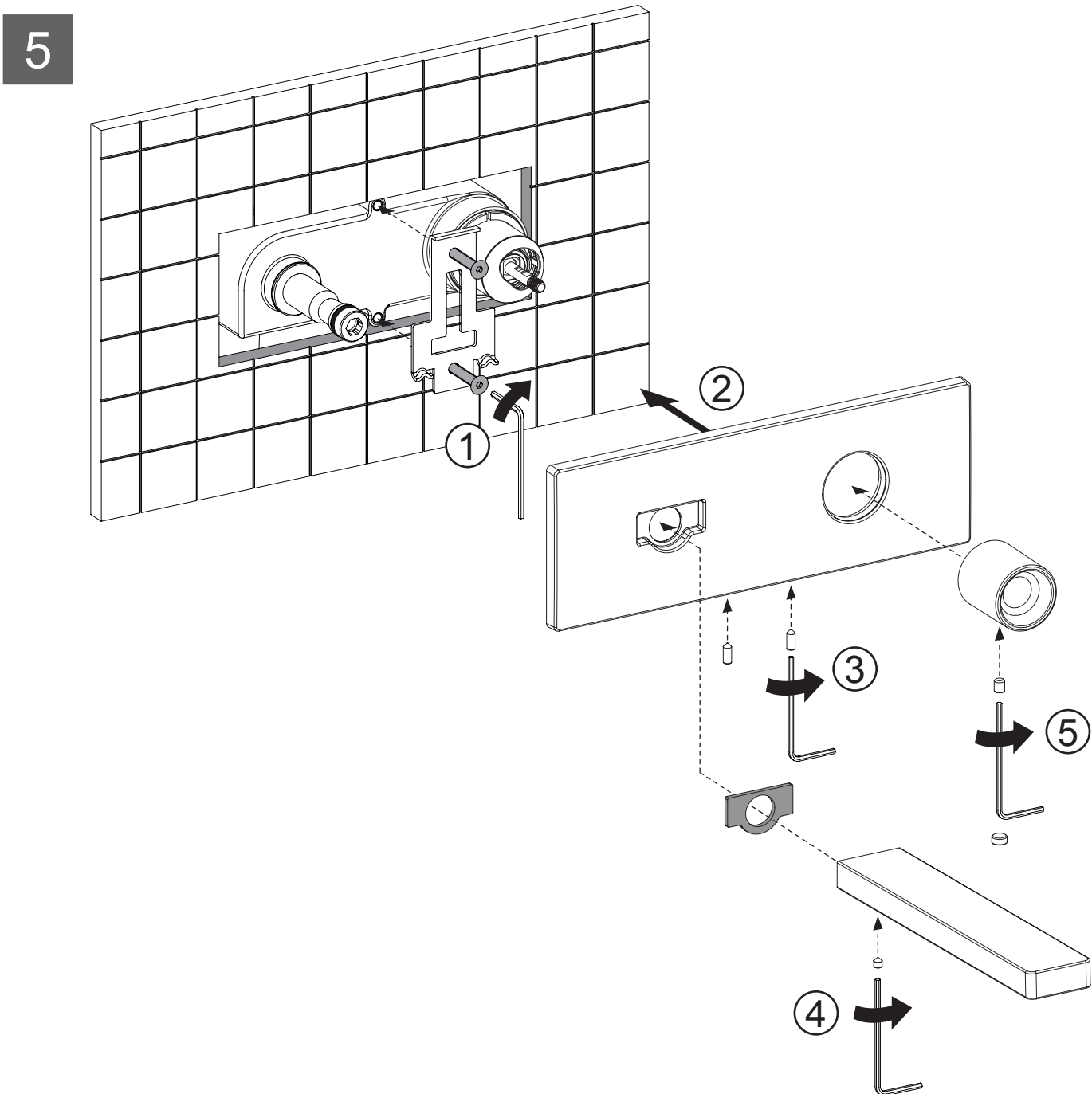
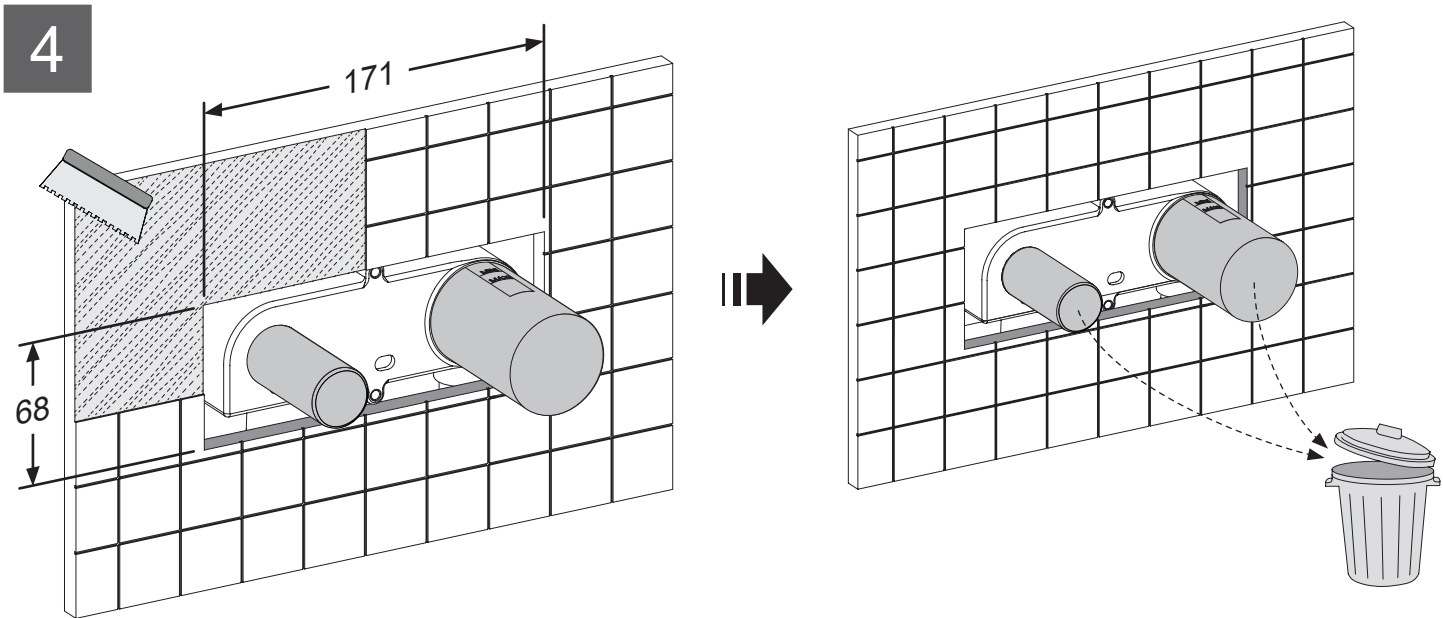


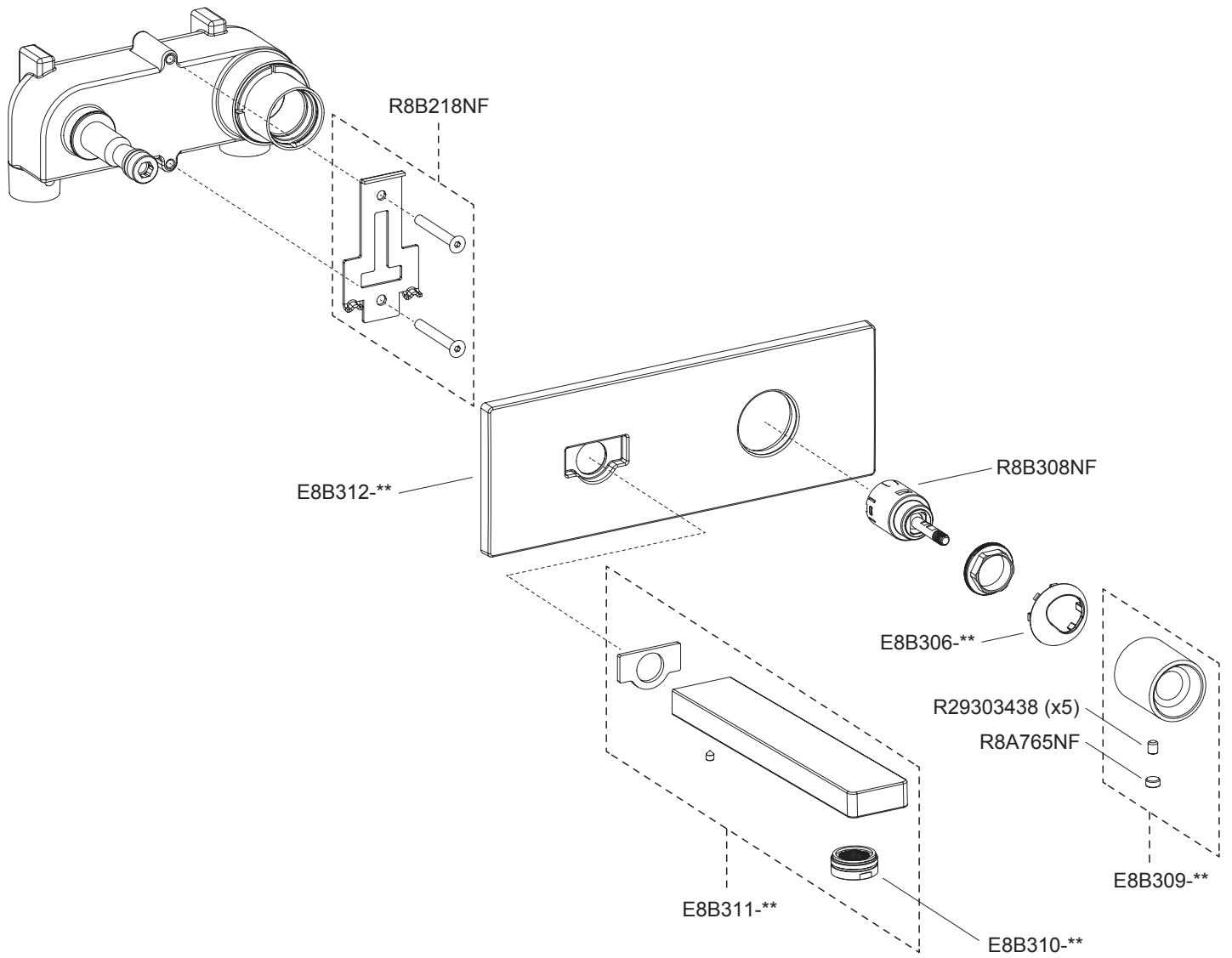
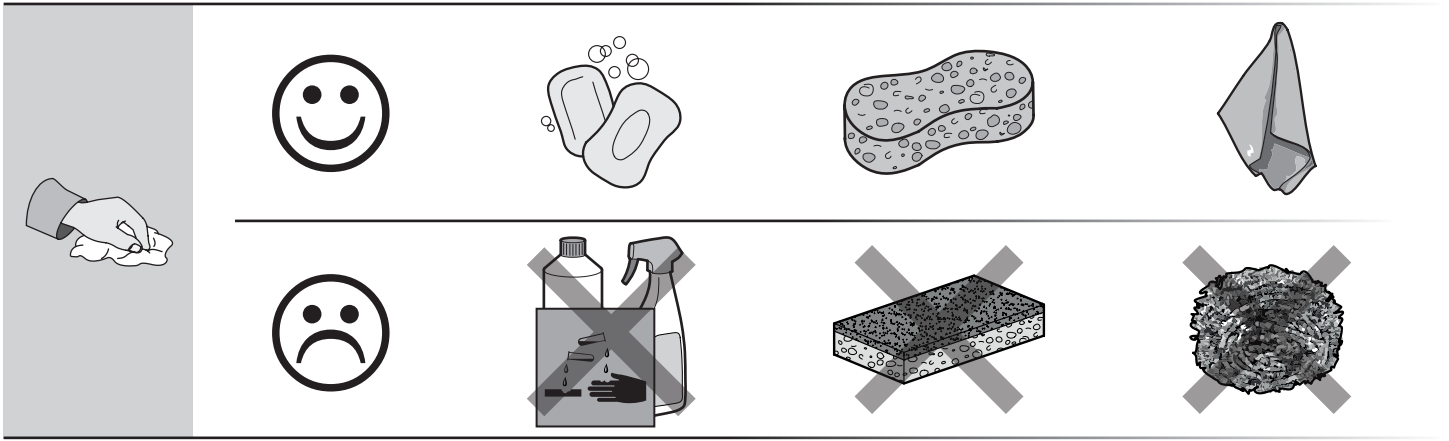
2



3







Jacob Delafon