



TECHNICAL DATA

Order no.	82468.4
Certified to	EN 997, EN 33
Specification	Washdown for min. 5/3-l-flush back to wall Charge 000 – 2 fixing holes, without lateral holes
Special specification	Charge 231 – 2 fixing holes, with lateral holes
Outlet	horizontal VARIO, vertical 70 - 305 mm
Weight	31,5 kg
Accessories excl.	Charge 000 – Cistern, order no. 82868.1, 82868.2 Charge 231 – Cistern, order no. 82868.3, 82868.5 WC seat and cover, order no. 89568.0 WC seat and cover with automatic lowering system, order no. 89568.1
Mounting acc. incl.	Fixing set, order no. 89175.7

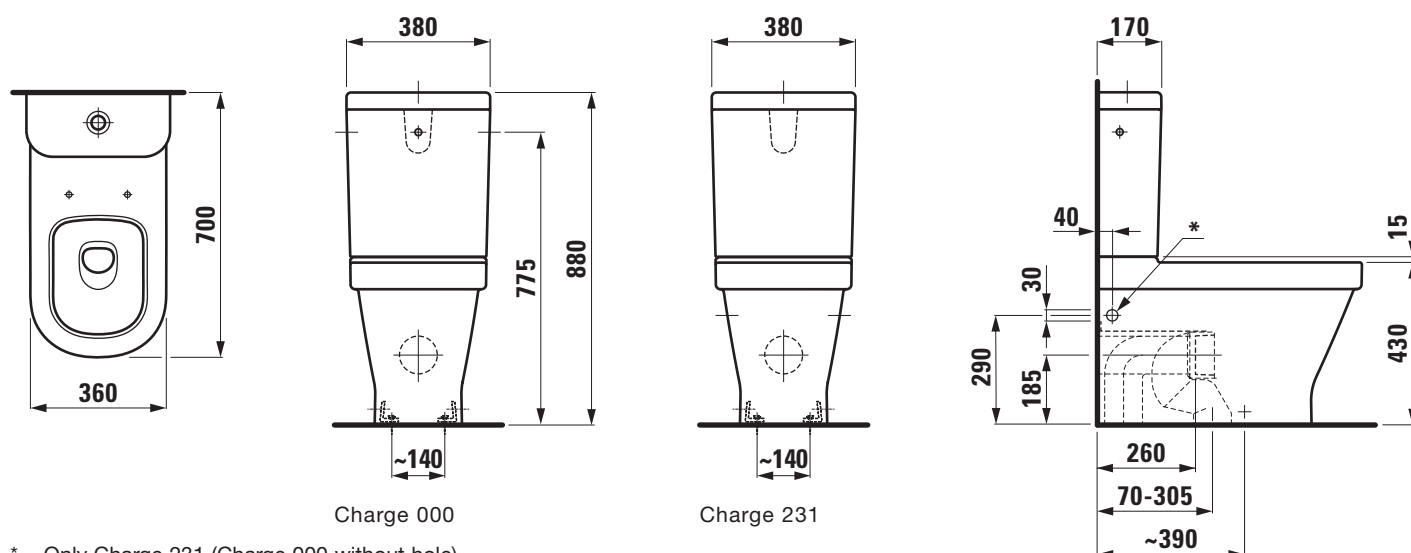
Mounting acc. excl. for VARIO outlet 70 - 205 mm use LAUFEN-connection set, order no. 89009.2
for VARIO outlet 220 - 305 mm use only LAUFEN-connection set, order no. 89902.5

Colours see colour table

SPECIFICATION TEXT

Floorstanding WC pan washdown Laufen-LB3, sanitary ceramic, for cistern, EN 997, EN 33, min. 5/3-l-flush, dimensions 360 x 700 x 445 mm outlet horizontal, VARIO vertical 70 - 305 mm back to wall, concealed trap, concealed fixation
Special feature: concealed surfaces directing water are fully glazed throughout, closed water rim, vacuum checked
Further options / accessories: lateral holes, cistern 82868.1, 82868.2, 82868.3, 82868.5, 82868.7, WC seat and cover, 89568.0, WC seat and cover with automatic lowering 89568.1
Order no. 82468.4

TECHNICAL DRAWINGS / S 1 : 20



* = Only Charge 231 (Charge 000 without hole)