

O.NOVO START WALL MOUNTED BATH SPOUT WITH DIVERTER

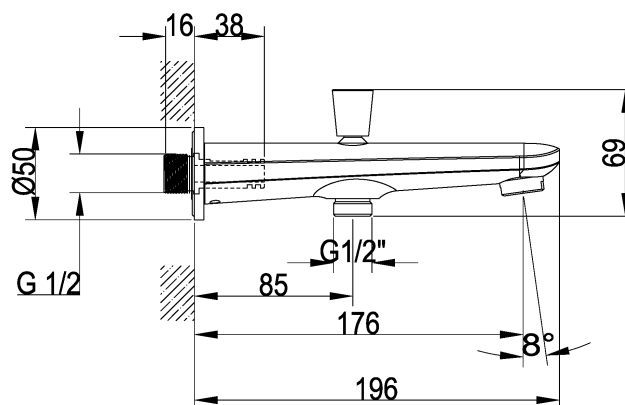
PRODUCT INFORMATION



Model	TVT10550811061
Collection	O.novo Start
Finish	Polished Chrome
Water Flow at 3 bar	29 l/min (spout) 9 l/min (hand shower)
Fixed Spout	G 1/2" plug link assembly
Projection of Spout	176 mm
Diverter	Automatic
Aerator	M24 x 1 – male thread
Faucet Material	Low Lead Brass
Check Valve	Integrated in diverter valve
Shower outlet	G 1/2 "
Salt Spray Test	200 hours (according EN 248)

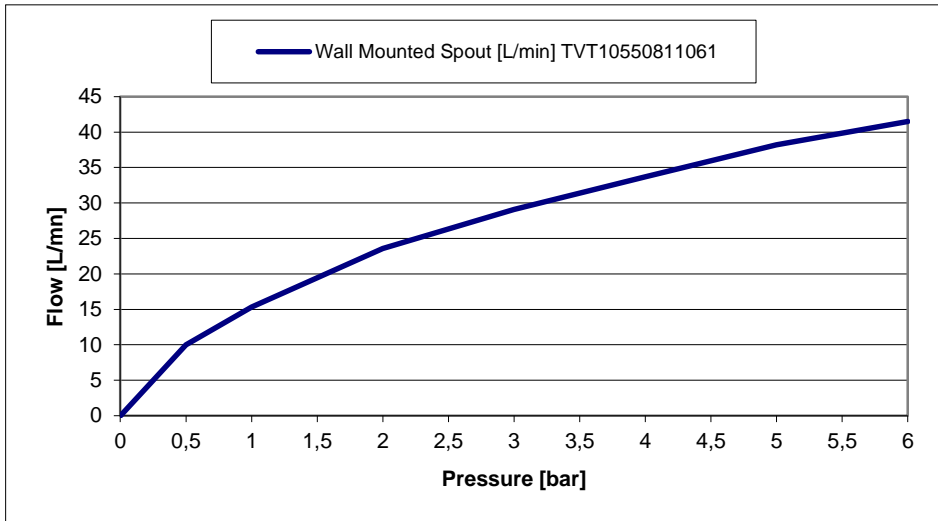
PRODUCT FEATURES

TECHNICAL DRAWING

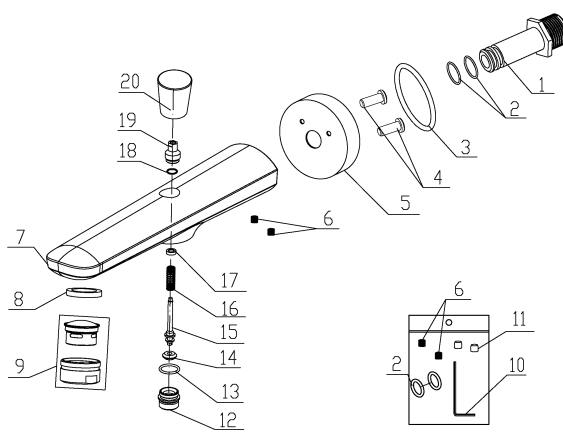


O.NOVO START WALL MOUNTED BATH SPOUT WITH DIVERTER

FLOW CHART



EXPLOSION DRAWING AND SPARE PARTS

Explosion Drawing	Article Number	Description	No.	Consists of
	N/A	N/A	1	connector
	N/A	N/A	2	O-ring
	N/A	N/A	3	O-ring
	N/A	N/A	4	screw
	TVP00001022061	Cover Plate	5	plate
	N/A	N/A	6	screw
	N/A	N/A	7	spout
	N/A	N/A	8	O-ring
	TVP00000511000	Aerator	9	aerator
	N/A	N/A	10	alley key
	N/A	N/A	11	knob
	TVP00000810000	Diverter Set	12	diverter seat
			13	O-ring
			14	gasket
			15	diverter spindle
			16	spring
			17	O-ring
	TVP00000814000	Diverter Knob	18	O-ring
			19	bonnet
			20	diverter knob