

Novus

Single lever basin mixer 100 with extra long handle and pop-up waste set

Surfaces: **Chrome** Article Number: **71921000**



Description

product features

- consists of: single lever basin mixer, waste set
- ComfortZone 100
- larger print for greater clarity
- with extra long barrier-free handle
- projection 118 mm
- normal spray
- flow rate at 3 bar: 5 l/min
- ceramic cartridge
- temperature limitation adjustable
- suitable for continuous flow water heaters
- pop-up waste set G 1¼
- material waste set: metal
- connection type: G ¾ connections
- connection dimension: DN15

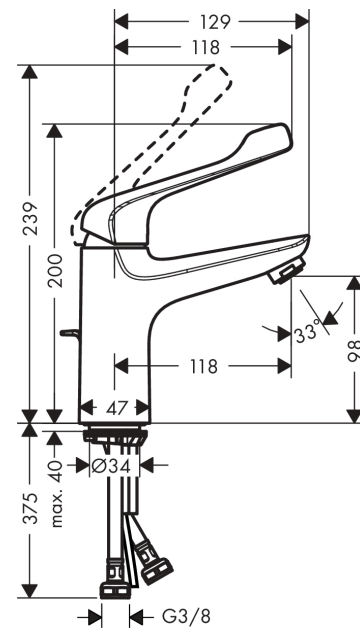
Technology



Product image



Scale drawing



Novus

Single lever basin mixer 100 with extra long handle and pop-up waste set

Surfaces: **Chrome** Article Number: **71921000**



Flowchart

