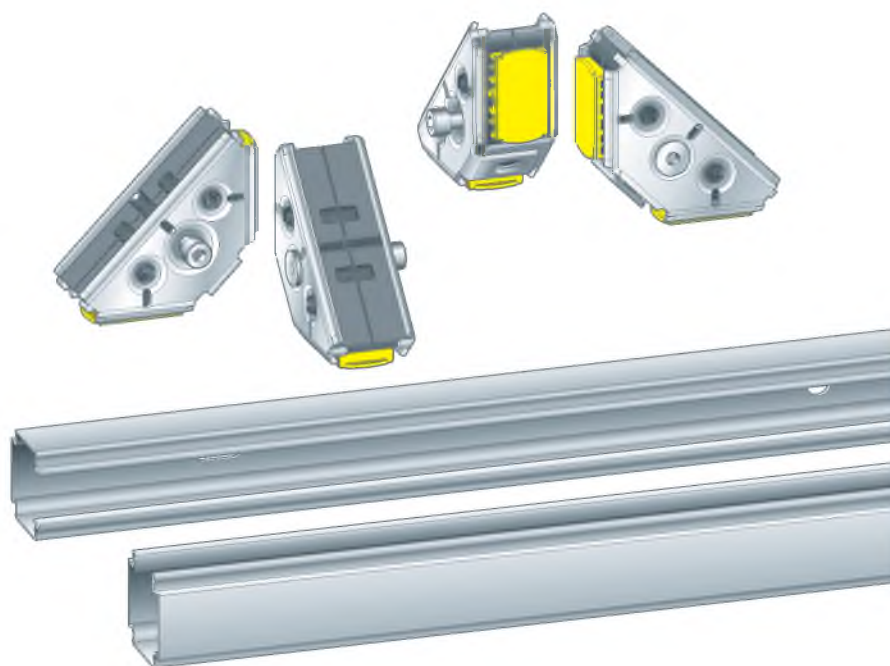


# Instructions for Use

## Prevista Dry Plus



for the creation of a partial or room-height partition or pre-wall construction

**System**  
Prevista Dry Plus

**Year built (from)**  
03/2019

# Table of contents

<b>1</b>	<b>About these instructions for use</b>	<b>3</b>
	1.1 Target groups	3
	1.2 Labelling of notes	3
	1.3 About this translated version	4
<b>2</b>	<b>Product information</b>	<b>5</b>
	2.1 Standards and regulations	5
	2.2 Intended use	5
	2.2.1 Areas of use	5
	2.2.2 Using components	5
	2.3 Product description	6
	2.3.1 Overview	6
	2.3.2 Installation variations	6
	2.4 Optional accessories	20
<b>3</b>	<b>Handling</b>	<b>22</b>
	3.1 Assembly information	22
	3.1.1 Mounting conditions	22
	3.1.2 Processing rules	23
	3.1.3 Required material and tools	25
	3.1.4 Installation dimensions	26
	3.2 Assembly	32
	3.2.1 Cutting rails to length	32
	3.2.2 Attach wall and floor rails	32
	3.2.3 Mounting rail connector	36
	3.2.4 Rounding off jobs	38
	3.3 Disposal	44

# 1 About these instructions for use

Trade mark rights exist for this document; for further information, go to [viega.com/legal](http://viega.com/legal).

## 1.1 Target groups

The information in this instruction manual is directed at the following groups of people:

- Heating and plumbing experts and trained personnel
- Drywall builders

Individuals without the above-mentioned training or qualifications are not permitted to mount, install or, if appropriate, maintain this product. This restriction does not extend to possible operating instructions.

The installation of Viega products must take place in accordance with the generally accepted rules of engineering and the Viega instructions for use.

## 1.2 Labelling of notes

Warning and advisory texts are set aside from the remainder of the text and are labelled with the relevant pictographs.



### **DANGER!**

This symbol warns of possible life-threatening injury.



### **WARNING!**

This symbol warns of possible serious injury.



### **CAUTION!**

This symbol warns of possible injury.



### **NOTICE!**

This symbol warns of possible damage to property.



This symbol gives additional information and hints.

### 1.3 About this translated version

This instruction for use contains important information about the choice of product or system, assembly and commissioning as well as intended use and, if required, maintenance measures. The information about the products, their properties and application technology are based on the current standards in Europe (e.g. EN) and/or in Germany (e.g. DIN/DVGW).

Some passages in the text may refer to technical codes in Europe/Germany. These should serve as recommendations in the absence of corresponding national regulations. The relevant national laws, standards, regulations, directives and other technical provisions take priority over the German/European directives specified in this manual: The information herein is not binding for other countries and regions; as said above, they should be understood as a recommendation.

## 2 Product information

### 2.1 Standards and regulations

The following standards and regulations apply to Germany / Europe and are provided as a support feature.

Regulations from section: Fields of application / Mounting conditions

Scope / Notice	Regulations applicable in Germany
Suitable masonry walls	EN 1996-1-1
Suitable concreted walls	DIN 1045

### 2.2 Intended use

#### 2.2.1 Areas of use

The Prevista Dry Plus system is intended for the creation of partial or room-height pre-wall and partition constructions.

#### 2.2.2 Using components

The Prevista Dry Plus system includes:

- mounting rails
- rail connector
- modules
- Prevista Dry elements
- Fitting holders
- Prevista Dry Plus punch
- Accessories
- Pre-wall finish

Prevista Dry Plus rails and Prevista Dry Plus rail connectors are the basis for mounting the pre-wall or partition construction. Both components are adapted to one another.

Apart from the mounting rails, the Prevista Dry Plus complete package contains all of the components required to mount the desired size, flexibly and irrespective of possible unevenness of the walls.

You can find more information about the optional accessories in the Viega product catalogue.

Fault-free functioning is guaranteed only in combination with Viega original parts.

See ↗ *'Calculation of required material quantities'* on page 25 for the correct calculation of the material.

## 2.3 Product description

### 2.3.1 Overview

#### Scope of delivery complete package

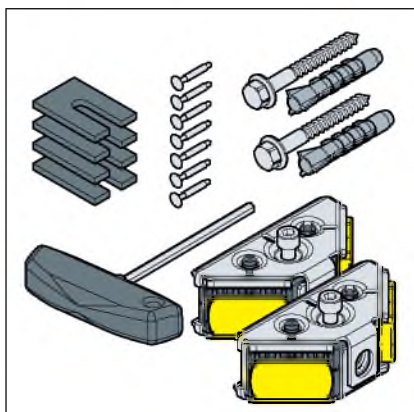


Fig. 1: Complete package

The complete package contains:

- Prevista Dry Plus connectors
- fixing material for the mounting rails
- levelling material for uneven walls and floors
- screws (self-drilling) for gypsum plasterboard cladding panels

The complete package is available for 1, 3, 5 and 10 m<sup>2</sup> areas to be clad.

#### Mounting rail

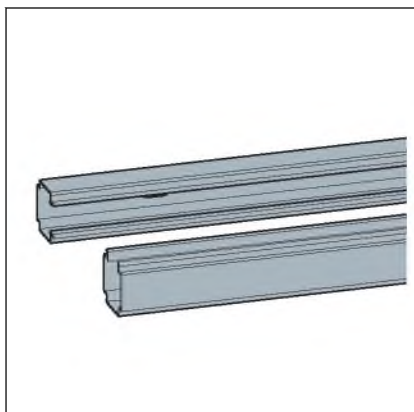


Fig. 2: Mounting rail

The mounting rail made of galvanised steel is 5 m long, open on one side and perforated every 30 cm for wall and floor mounting.

#### Modules and elements

The system comprises various modules and elements, and these can be integrated into the rail system as required. The modules are 420 mm wide.

### 2.3.2 Installation variations

You have the possibility of assembling the pre-wall construction in the desired place or pre-mounting it. The construction can be installed in the desired place by means of a Prevista Dry Plus mounting angle. Observe the specifications in this chapter.



Observe the specified minimum and maximum sizes with all installation versions.

### Half-height pre-wall

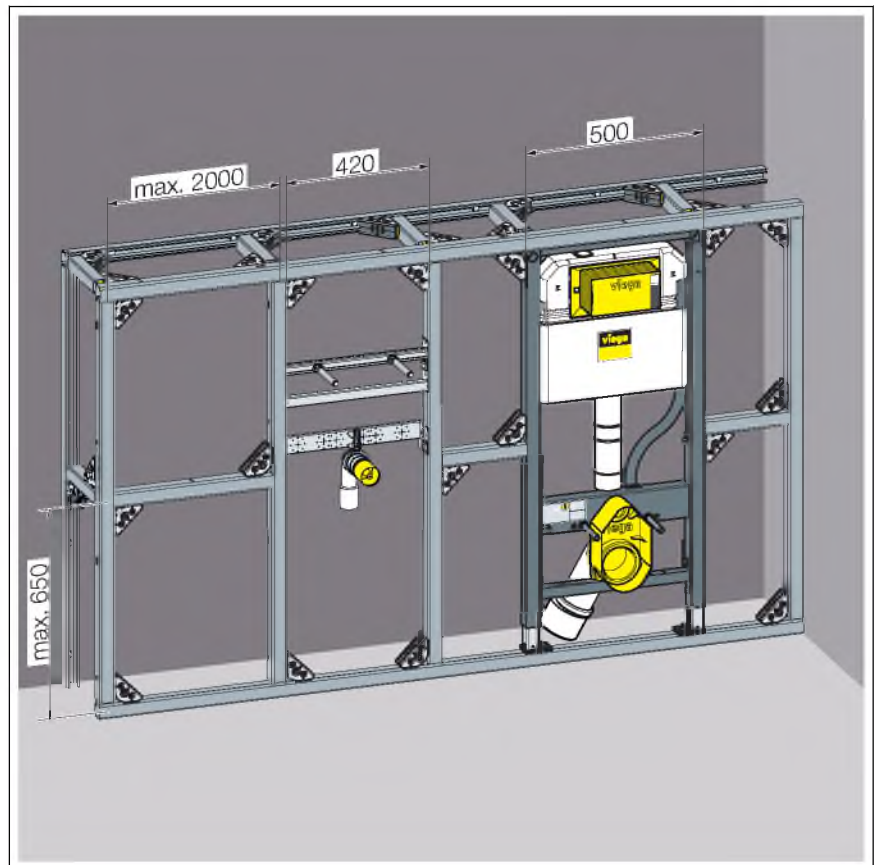


Fig. 3: Installation dimensions half-height pre-wall

### Room-height pre-wall

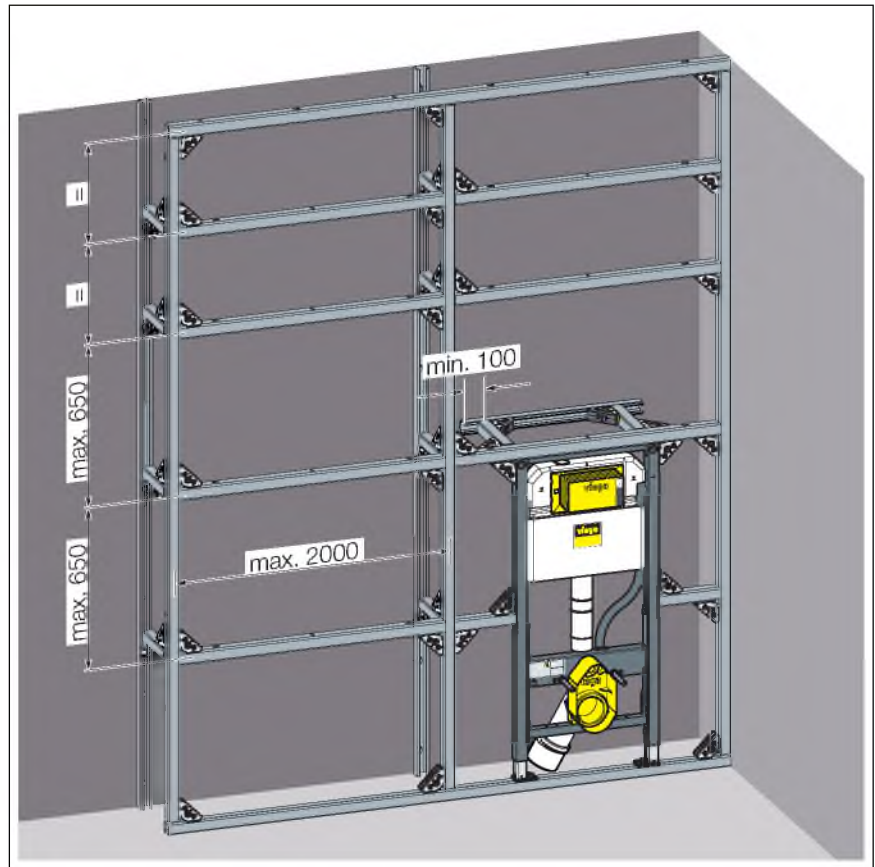


Fig. 4: Installation dimensions room-height pre-wall



## Barrier-free mounting

When using support hinged handles for barrier-free WCs, greater forces act on the pre-wall construction. These forces are absorbed by the additional fixing elements (model 8570.32).

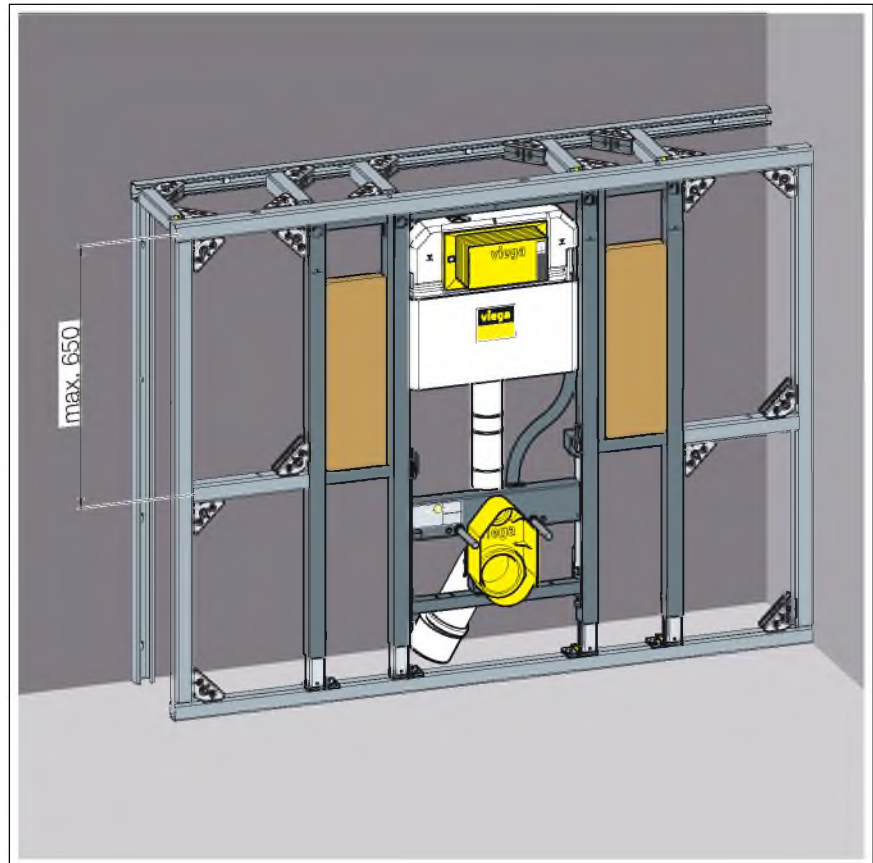
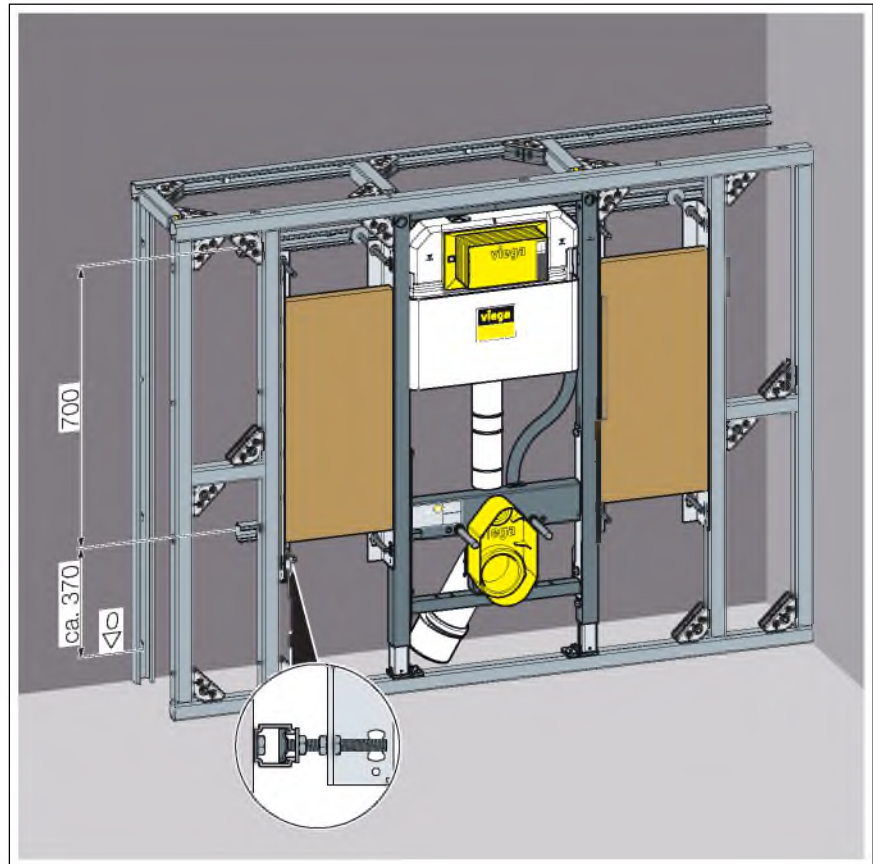


Fig. 5: Barrier-free mounting, version 1



**Fig. 6: Barrier-free mounting, version 2**

The fixing element has factory-fitted fasteners, which can be mounted directly onto the mounting rail. This version does not require an additional rail at the front. Two additional horizontal rails are placed on the wall.

### Corner mounting

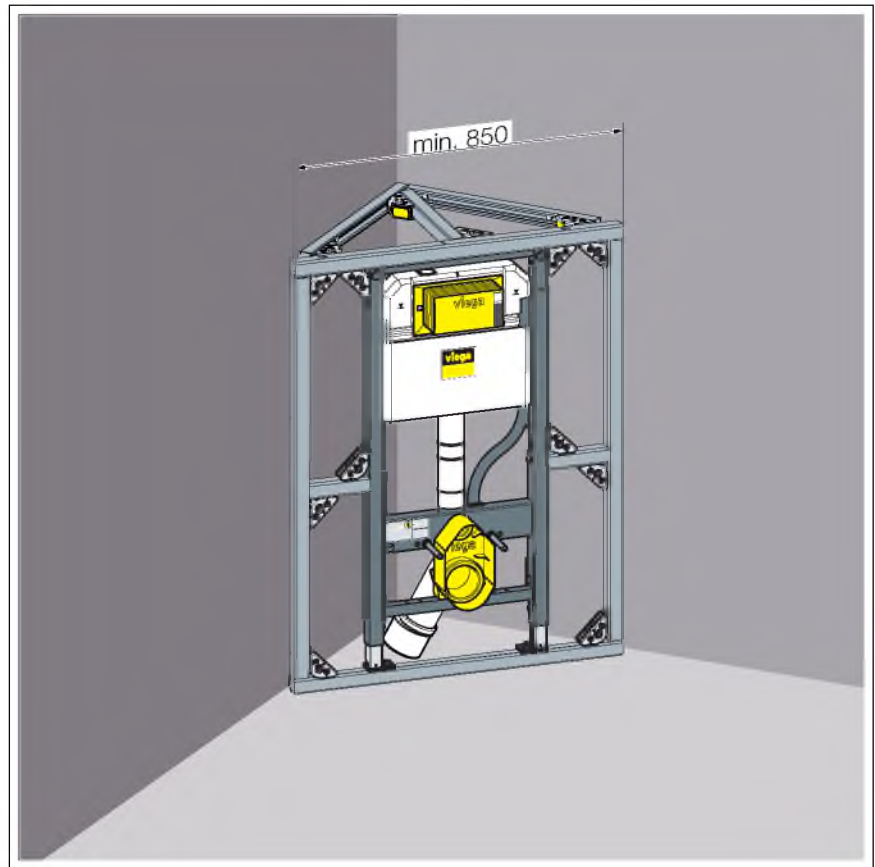


Fig. 7: Installation dimensions corner mounting

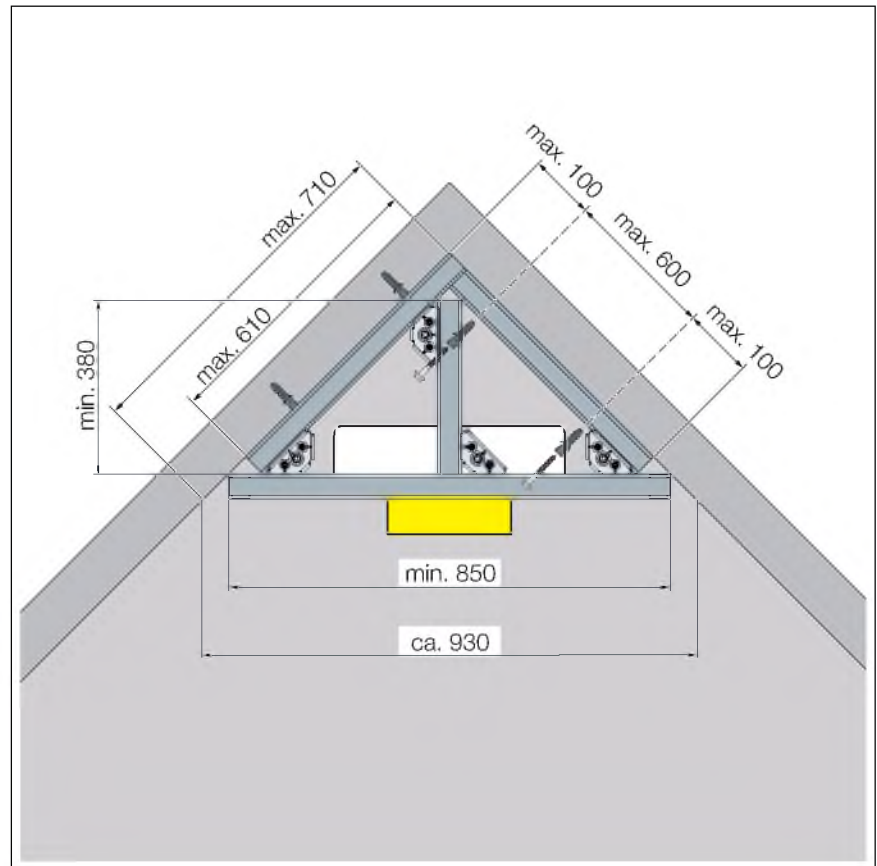
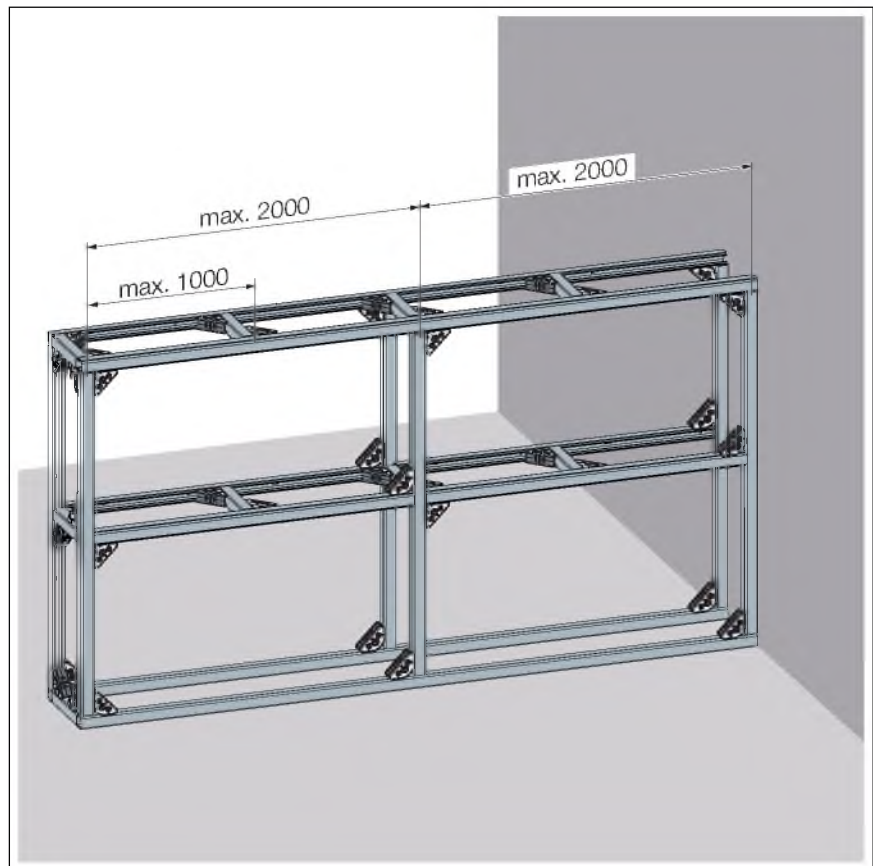
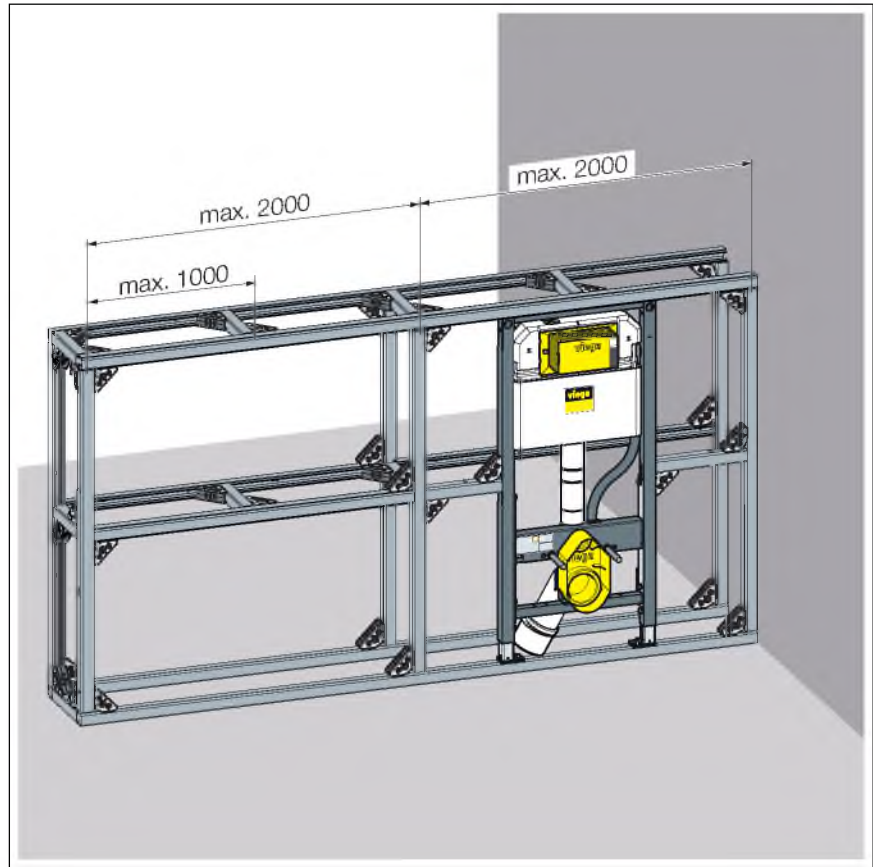


Fig. 8: Installation dimensions corner mounting

### Half-height, one-sided closed room partition



**Fig. 9: Installation dimensions half-height room partition (one-sided connected)**



**Fig. 10: Installation dimensions of half-height room partition with element (connected on one side)**

### Half-height, free-standing room partition

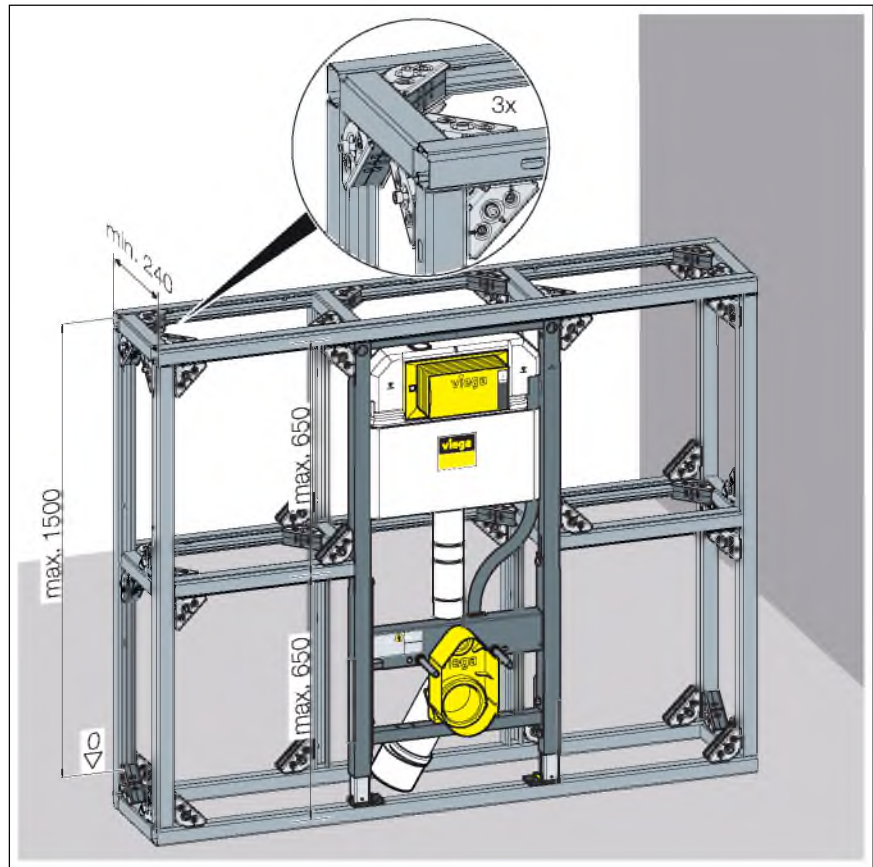


Fig. 11: Installation dimensions half-height room partition (free-standing)

### Low construction height

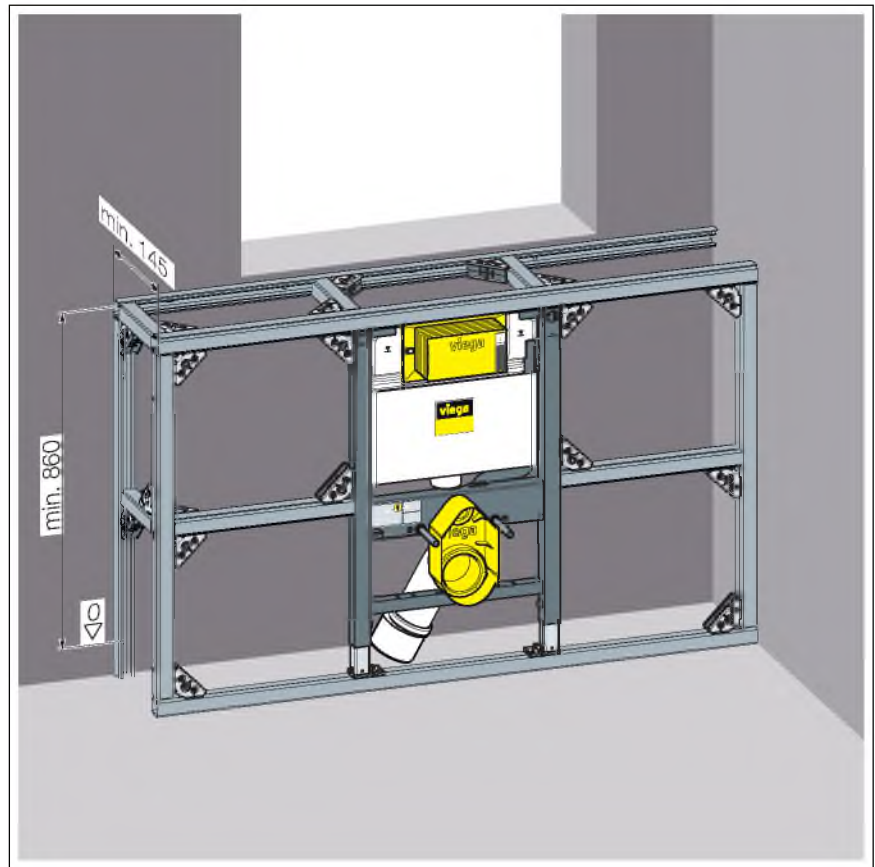
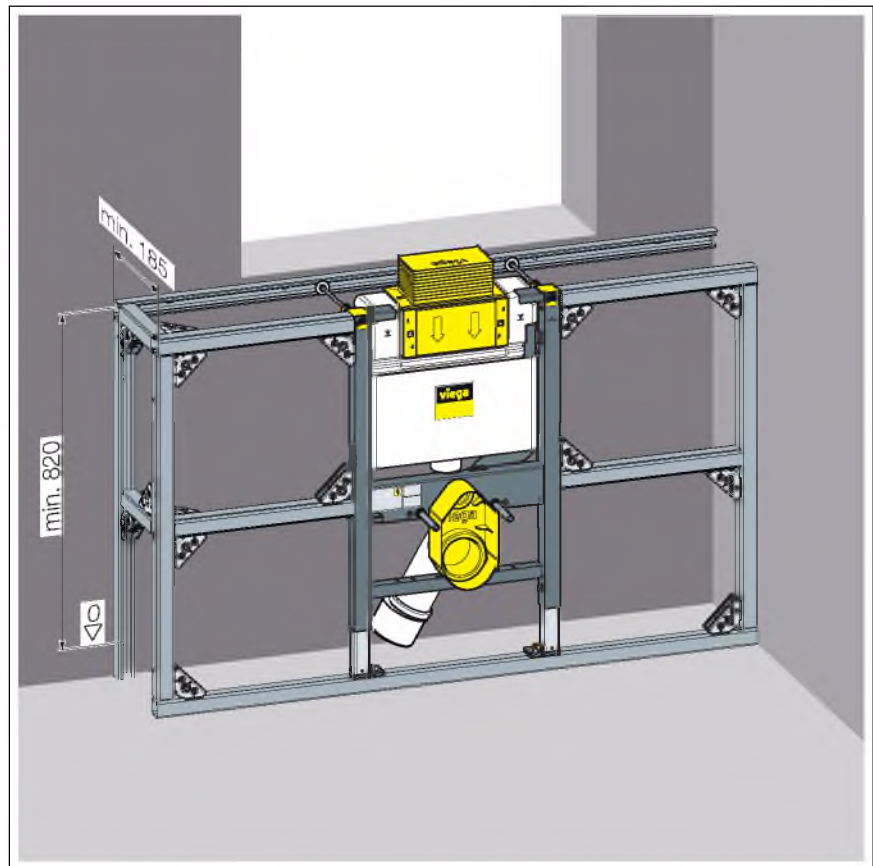


Fig. 12: Installation dimensions of low construction height (actuation from front)





**Fig. 13: Installation dimensions of low construction height (actuation from above)**



When installing the low WC element with actuation from above, fixing set model 8570.49 is required in addition.

### Partition and room-height room partition

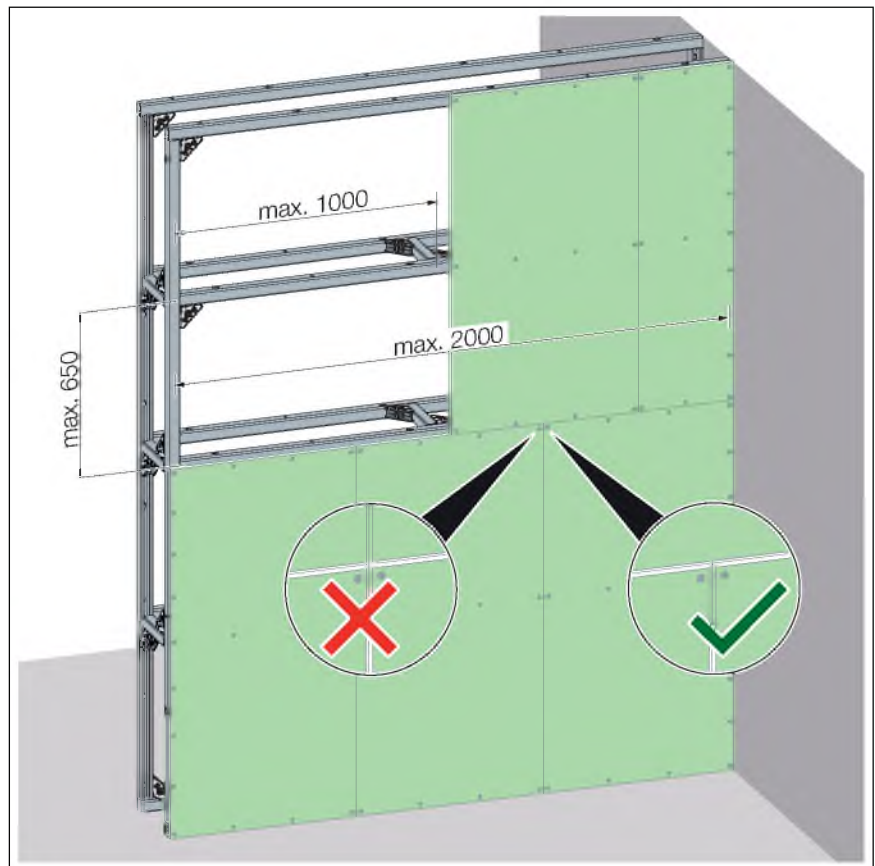


Fig. 14: Installation dimensions partition and room-height room partition

### Pre-wall on the roof slope

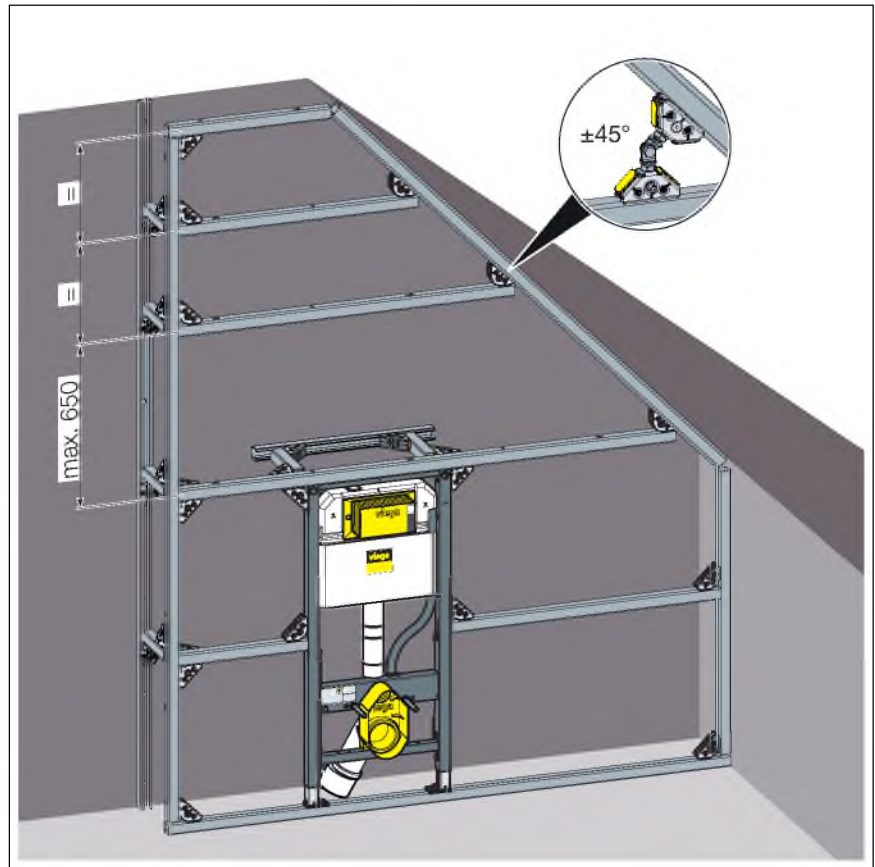


Fig. 15: Installation dimensions pre-wall on the roof slope

## Partition and room partition on the roof slope

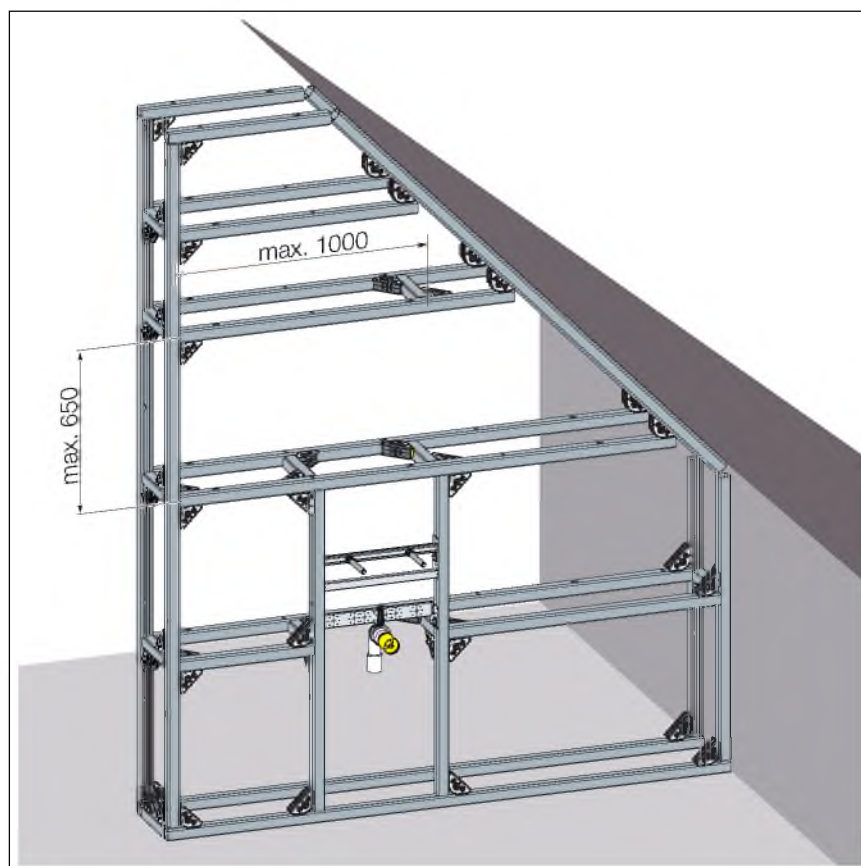


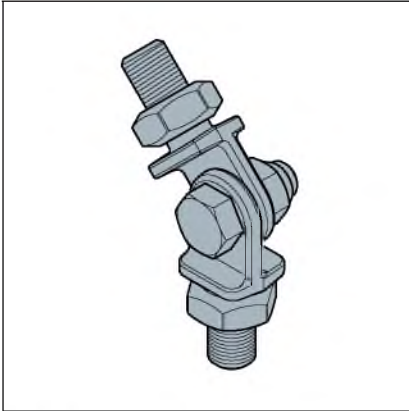
Fig. 16: Installation dimensions partition on the roof slope

## 2.4 Optional accessories

There are special Prevista Dry Plus modules available for various requirements. They can be supplemented by further modules, fitting holders and other accessories.

- Washbasin modules
- Urinal module
- Accessories for barrier-free mounting
- Cladding panels

The following accessories are available for special mounting procedures:

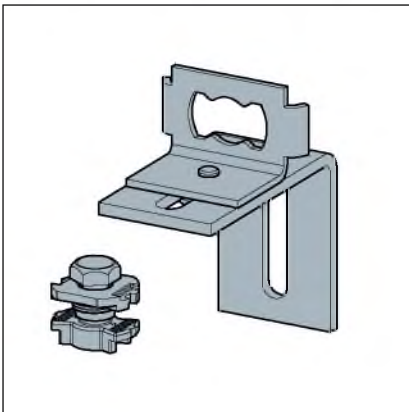


**Fig. 17: Prevista Dry Plus mounting joint**

Prevista Dry Plus mounting joint for the continuous angle setting when mounting on roof slopes:

The Prevista Dry Plus mounting joint offers the option of connecting two rails together at angles other than 45° or 90°. The mounting joint can be mounted as a connection piece between two Prevista Dry Plus rail connectors, e.g. during the pre-wall installation on wall slopes.

The mounting joint can be set continuously at angle sizes up to 180°.



**Fig. 18: Prevista Dry Plus mounting bracket**

Prevista Dry Plus mounting angle for the wall connection of a pre-fabricated Prevista Dry Plus wall.

Further information can be found in the Viega product catalogue.

## 3 Handling

### 3.1 Assembly information

#### 3.1.1 Mounting conditions

##### Suitable walls / surfaces

The Prevista Dry Plus pre-wall system can be mounted to masonry or concrete walls which comply to the regulations listed in section ↗ *'Regulations from section: Fields of application / Mounting conditions'* on page 5.

##### Construction height

With the construction height, the marked height of the upper edge of the finished floor must be observed.

##### Minimum intervals

Minimum and maximum intervals for the corresponding variation can be found in chapter ↗ *Chapter 2.3.2 'Installation variations'* on page 6.

The rails, between which a Prevista Dry Plus module or fitting holder should be mounted, must be fitted at an interval of 420 mm from one another.

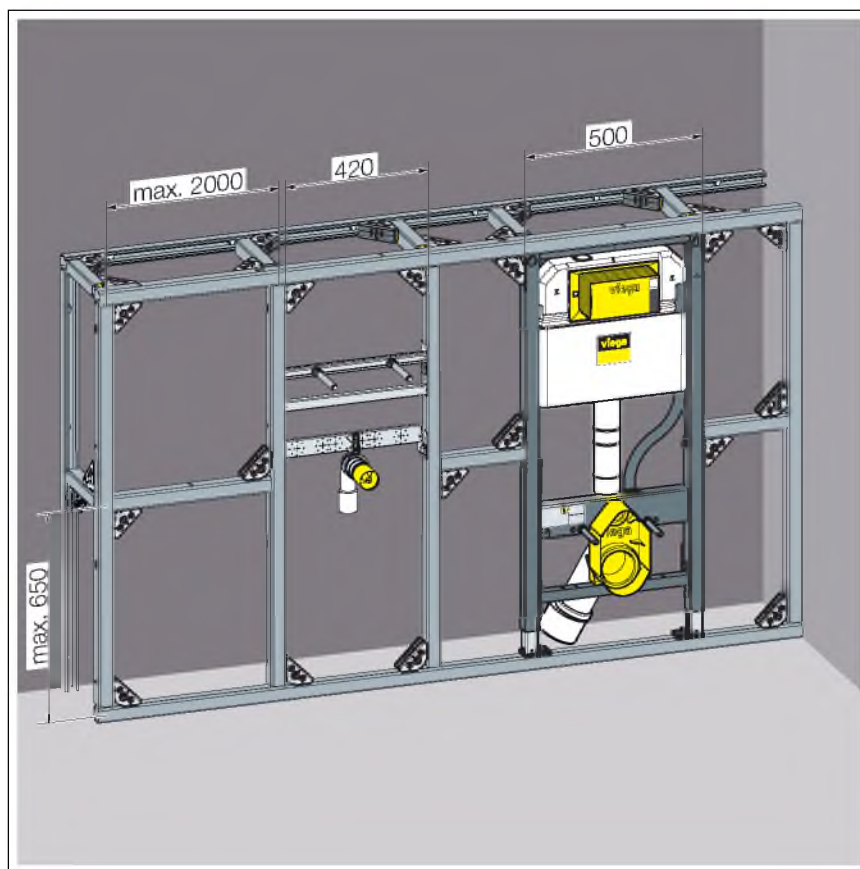
During planning, observe the instructions of the sanitary object manufacturer.

##### Fire protection

The declaration of conformity to the installation shaft must be observed for the fire protection requirements.

### 3.1.2 Processing rules

#### Intervals between the rails



**Fig. 19: Interval between vertical rails**

Observe following intervals:

- The vertical rails, which will later surround a module, must be at an interval of 420 mm to one another.
- The maximum distance between two horizontal rails from centre of rail to centre of rail is 650 mm and the maximum length is 2.00 m.
- The minimum interval between two rails, which surround different modules, depends on the fittings that are subsequently fitted.  
Observe also the information provided by the sanitary object manufacturer.

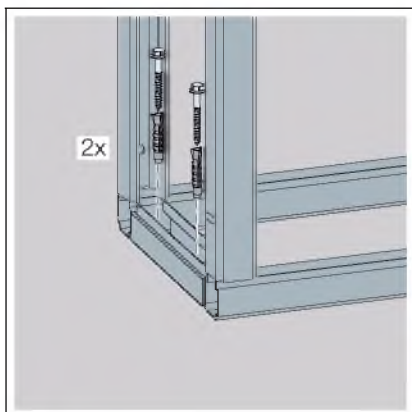
#### Fixing rails

Every rail must be securely mounted at the prescribed point. There are two possibilities:

- Mount the rails securely on the wall.
- Stabilise the rails with at least two rail connectors.

#### Free-standing pre-wall constructions

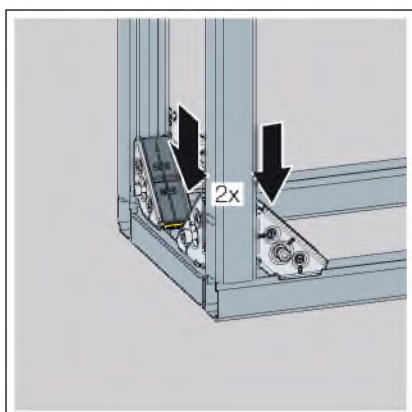
Observe the following information about fixing the floor rails:



**Fig. 20: Floor rail**

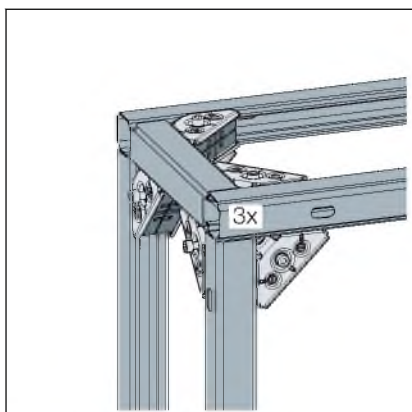
With free-standing pre-wall constructions, all floor rails must be fastened to the floor using the fixing material supplied. Even the short rails must be fastened using at least two screws.

Note the following information about the number of rail connectors:



**Fig. 21: Rail connector bottom**

Stabilise each corner of the floor rails using two rail connectors.



**Fig. 22: Rail connector top**

Stabilise the top corners with three rail connectors each.



### 3.1.3 Required material and tools

#### Calculation of required material quantities

The material quantity is specified in two steps based on the pre-wall area in m<sup>2</sup>.

The required rail lengths can be calculated from the area (in m<sup>2</sup>) multiplied by the rail factor. The individual rails are available in lengths of 5 m.

- Rail factor when using elements from the product group Prevista Dry
  - 4.5
- Rail factor when using elements from the product group Prevista Dry Plus
  - 5.5

The rest of the required components are available in the complete package, which is available for areas sized 1, 3, 5 or 10 m<sup>2</sup>. The complete packages can be combined to suit the pre-wall area.

#### Example Prevista Dry

Area to be planked = 2.7 m<sup>2</sup>

Required material quantities:

- 3 m<sup>2</sup> complete package
- Three mounting rails each 5 m in length (2.7 [m<sup>2</sup>] x 4.5= 12.5)

#### Example Prevista Dry Plus

Area to be planked = 2.7 m<sup>2</sup>

Required material quantities:

- 3 m<sup>2</sup> complete package
- Three mounting rails each 5 m in length (2.7 [m<sup>2</sup>] x 5.5= 14.85)

#### Required tools

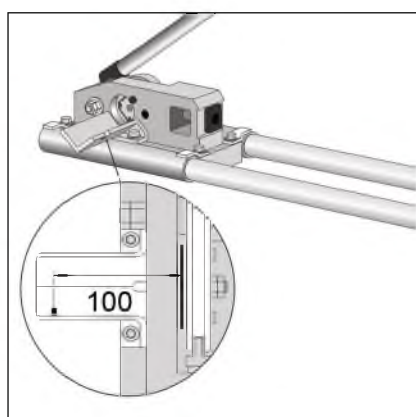


Fig. 23: Prevista Dry Plus punch

A suitable tool is required to cut the rails to length.

Viega recommends the Prevista Dry Plus punch for processing the mounting rails. The rail can be shortened or punched free from burrs at any point using the punch.

Further information on the use of the Prevista Dry Plus punch can be found here [↪ Chapter 3.2.1 'Cutting rails to length' on page 32](#) and in the instructions accompanying the punch.

### 3.1.4 Installation dimensions



- All dimensional information in mm.
- All specifications are in regards to installation depths without cladding and tiles.

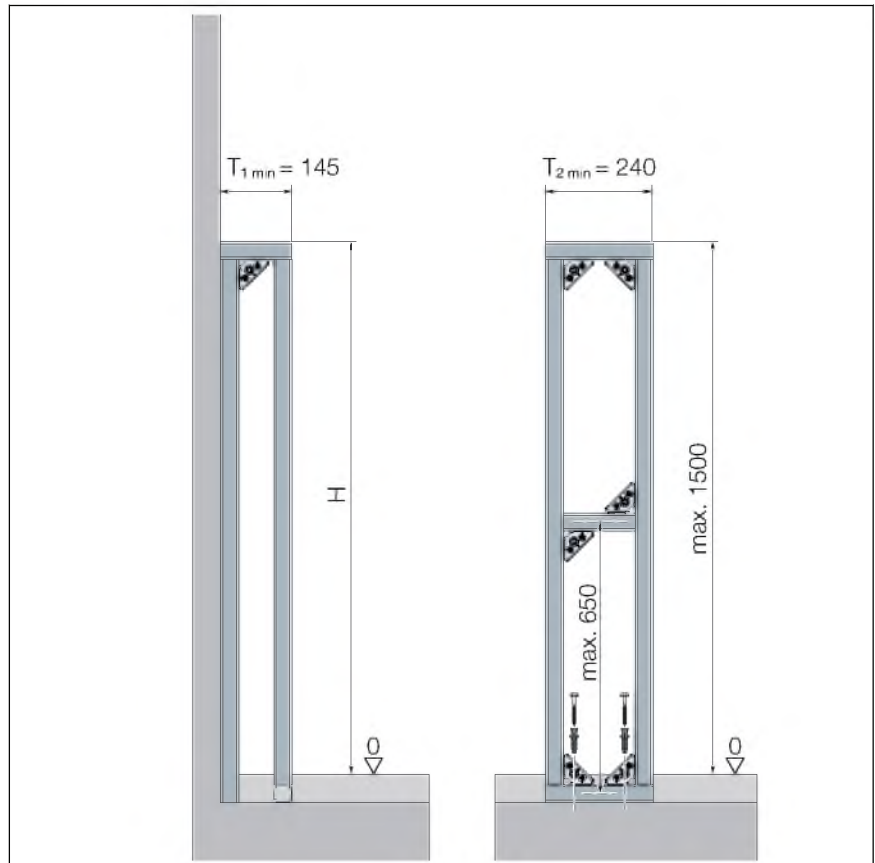


Fig. 24: Half-height pre-wall

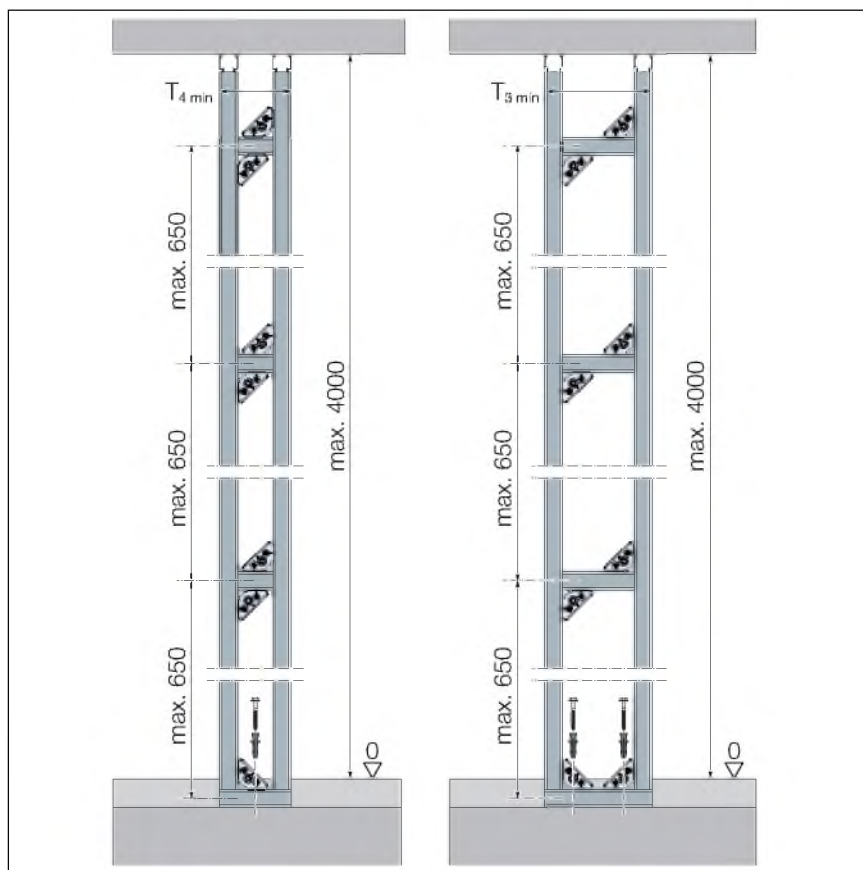


Fig. 25: Partition

	Model	Art. no.	H standard	T1 (*) min.	T2 min.	T3 room-high min.	T4 room-high min.
WC	8522	771 980	1120	150	240	210	210
	8521	771 997	1120	150	240	210	210
	8521.32	772 024	1120	215	240	300	300
	8522.31	772 031	1120	200	240	260	260
	8522.33	772 048	1120	150	240	210	210
	8530	772 000	980	150	240	210	210
	8533	772 017	820	150	240	210	210
Washbasin	8540	776 220	1300	145 (100)	240	165	145
	8540.31	776 237	1300	145 (100)	240	165	145
	8540.32	776 039	1300	145 (100)	240	165	145
	8535	776 183	1120	145 (100)	240	165	145
	8536	776 046	1120	145 (100)	240	165	145
	8535.33	776 206	1120	145 (100)	240	165	145
	8535.32	776 213	1120	145 (100)	240	165	145

\* Collecting line DN100

	Model	Art. no.	H standard	T1 (*) min.	T2 min.	T3 room-high min.	T4 room-high min.
	8535.31	776 190	820–980	145 (100)	240	165	145
	8536.31	776 251	820–980	145 (100)	240	165	145
	8537	776 268	1120	145 (100)	240	165	145
	8537.31	776 275	1120	145 (100)	240	165	145
	8538	789 329	1120	145 (100)	240	165	145
	8540.33	776 282	1300	145 (100)	240	165	145
Urinal	8560	776 404	1300	145 (100)	240	165	145
	8560.32	776 411	1120–1300	145 (100)	240	165	145
	8560.31	776 428	1120–1300	145 (100)	240	165	145
Bidet	8568	776 442	1120	145 (100)	240	210	145

\* Collecting line DN100



**Two-sided coverage, for room partition, half-height, T2 min.**



	Model	Art. no.	Construction height H	WC		Washbasin										Urinal			Bidet	Fitting holder													
				771 980	771 997	772 000	772 017	776 220	776 237	776 039	776 282	776 268	776 275	776 329	776 183	776 046	776 206	776 213	776 190	776 251	776 299	776 305	776 312	776 404	776 411	776 428	776 435	776 442	776 329	776 336	776 343	776 350	776 367
WC	8522	771 980	1120	300*	-	-	280*	-	-	-	-	-	-	-	-	-	-	-	280*	280*	-	240*	300*	240									
	8521	771 997																															
	8530	772 000	980	-	300*	-	-	-	-	-	-	-	-	-	-	-	-	-	-	280*	280*	-	240*		-								
	8533	772 017	820	-	-	300*	-	-	-	-	-	-	-	-	-	-	-	-	-	280*	280*	-	240*		-								
Washbasin	8540	776 220	1300	-	-	240	-	-	-	-	-	-	-	-	-	-	-	-	-	-	-	-	240										
	8540.31	776 237																															
	8540.32	776 039																															
	8540.33	776 282																															
	8537	776 268	1120	280*	-	-	240	-	-	-	-	-	-	-	-	-	-	-	-	-	-	-			-	240							
	8537.31	776 275																															
	8538	789 329																															
	8535	776 183																															
	8536	776 046	820-980	-	280*	-	-	-	-	-	-	-	-	-	-	-	-	-	-	-	-	-		-	240								
	8535.33	776 206																															
	8535.32	776 213																															
	8535.31	776 190																															
	8536.31	776 251	-	280*	-	-	-	-	-	-	-	-	-	-	-	-	-	-	-	-	-	-	-	240									
	8545	776 299																															
8545.31	776 305																																
8545.32	776 312																																
Urinal	8560	776 404	1300	-	-	240	-	-	-	-	-	-	-	-	-	-	-	-	-	-	-	240	-										
	8560.32	776 411	1120-1300	240*	-	-	240	-	-	-	-	-	-	-	-	-	-	-	-	-	-	240	240										
	8560.31	776 428																															
	8565	776 435	-	240*	-	-	240	-	-	-	-	-	-	-	-	-	-	-	-	-	-	240	240										
Bidet	8568	776 442	1120	300*	-	-	240	-	-	-	-	-	-	-	-	-	-	-	-	-	-	240	240										
Fitting holder	8555	776 329	-	-	-	-	-	-	-	-	-	-	-	-	-	-	-	-	-	-	-	-	240										
	8555.31	776 336																															
	8555.32	776 343																															
	8555.33	776 350																															
	8555.34	776 367																															
	8555.38	776 374																															
	8558	776 558																															
	8555.35	776 381																															
	8555.36	776 398																															

\* Collective connection pipeline DN100  
 All specifications are in regards to installation depths without cladding and tiles.

Two-sided coverage, for partition, half-height, T3 min.

	Model	Art. no.	Construction height H	WC			Washbasin							Urinal			Bidet	Fitting holder																																					
				771 980	771 997	772 000	776 220	776 237	776 039	776 282	776 268	776 275	776 329	776 183	776 046	776 206	776 213	776 404	776 411	776 428	776 435	776 442	776 329	776 336	776 343	776 350	776 367	776 374	776 558	776 381	776 398																								
WC	8522	771 980	1120	300*	-	-	240*	280*	280*	220*	280*	220*	280*	240*	280*	220*	280*	240*	280*	220*	280*	240*	280*	220*	280*	240*	280*	220*	280*	240*																									
	8521	771 997		-	-																										-	-	-	-	-	-	-	-	-	-	-	-	-	-	-	-	-	-	-	-	-	-	-	-	-
	8530	772 000	980	-	300*																										-	-	-	-	-	-	-	-	-	-	-	-	-	-	-	-	-	-	-	-	-	-	-	-	-
Washbasin	8540	776 220	1300	-		-	240*	220	180	180	220*	240*	280*	220*	280*	240*	280*	220*	280*	240*	280*	220*	280*	240*	280*	220*	280*	240*	280*	220*																									
	8540.31	776 237		-																																																			
	8540.32	776 039		-																																																			
	8540.33	776 282		-																																																			
	8537	776 268	1120	240*																																																			
	8537.31	776 275		240*																																																			
	8538	789 329		240*																																																			
	8535	776 183		240*																																																			
	8536	776 046		240*																																																			
	8535.33	776 206		240*																																																			
8535.32	776 213	240*																																																					
Urinal	8560	776 404	1120-1300	280*																																																			
	8560.32	776 411		280*																																																			
	8560.31	776 428		280*																																																			
	8565	776 435	-	220*																																																			
Bidet	8568	776 442	1120	280*	240*																																																		
Fitting holder	8555	776 329	-	220*		-	240*	180	180	180	220*	240*	280*	220*	280*	240*	280*	220*	280*	240*	280*	220*	280*	240*	280*	220*	280*	240*	280*	220*																									
	8555.31	776 336		220*																																																			
	8555.32	776 343		220*																																																			
	8555.33	776 350		220*																																																			
	8555.34	776 367		220*																																																			
	8555.38	776 374		220*																																																			
	8558	776 558		220*																																																			
	8555.35	776 381		220*																																																			
8555.36	776 398	220*																																																					

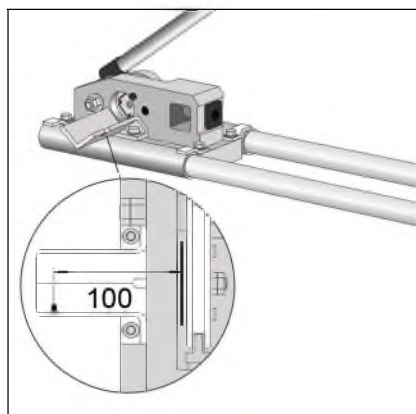
\* Collective connection pipeline DN100

All specifications are in regards to installation depths without cladding and tiles.

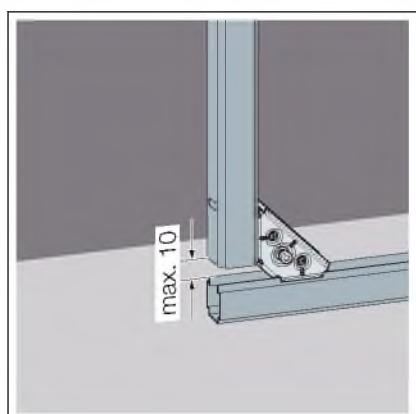
## 3.2 Assembly

### 3.2.1 Cutting rails to length

- Calculate the dimensions for floor and wall rails.
- Cut the mounting rail to length.



**INFO!** Observe the additional measuring aid when using the Prevista Dry Plus punch. The length from the marking to the cutting point comes to 100 mm.



- The tolerance range for the rail length is 10 mm. The stability is not compromised.

### 3.2.2 Attach wall and floor rails

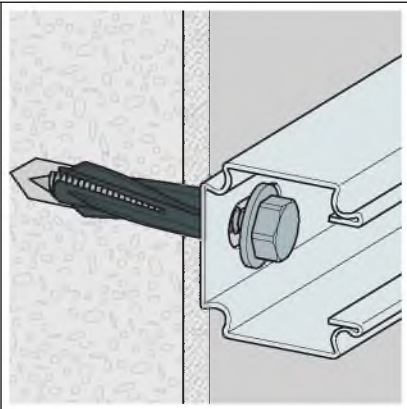
#### Wall mounting for special building materials

Various special mountings are listed below for different building materials.



**Aerated concrete**

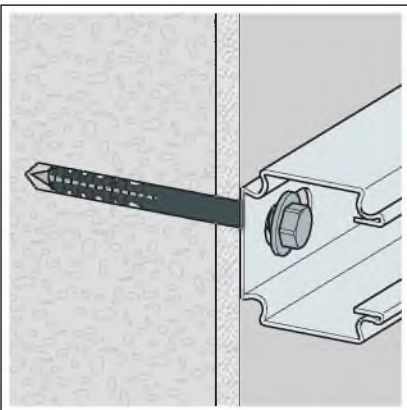
Fischer gas concrete anchor GB 10 with Fischer safety screws 7 x 75



**Fig. 26: Aerated concrete ducts**

**Vertical perforated brick**

Fischer frame anchor S 10 H 100 RSS with Fischer safety screw 7 x 105



**Fig. 27: Frame lever**

### Cavity fixings

(plasterboard, masonry with cavities, etc.)

Fischer cavity metal dowel HM 6 x 52 S

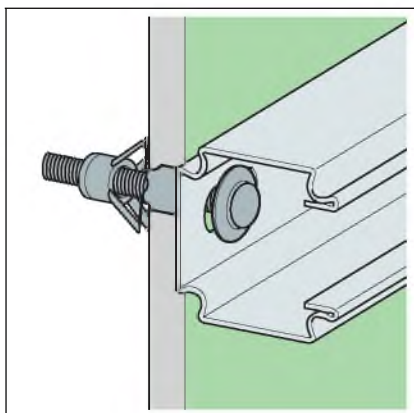
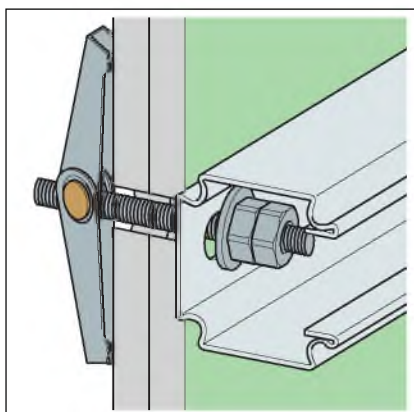
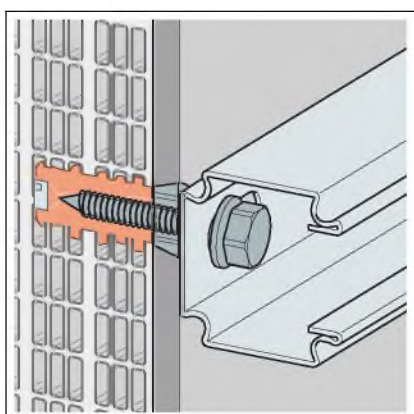


Fig. 28: Cavity metal dowel



Fischer toggle bolt KD 8

Fig. 29: Toggle bolt



Fischer injection mesh anchor FIM-8N

Fig. 30: Injection mesh anchor

### Attach wall and floor rails



The Prevista Dry Plus rails are pre-punched every 30 cm with a long hole.

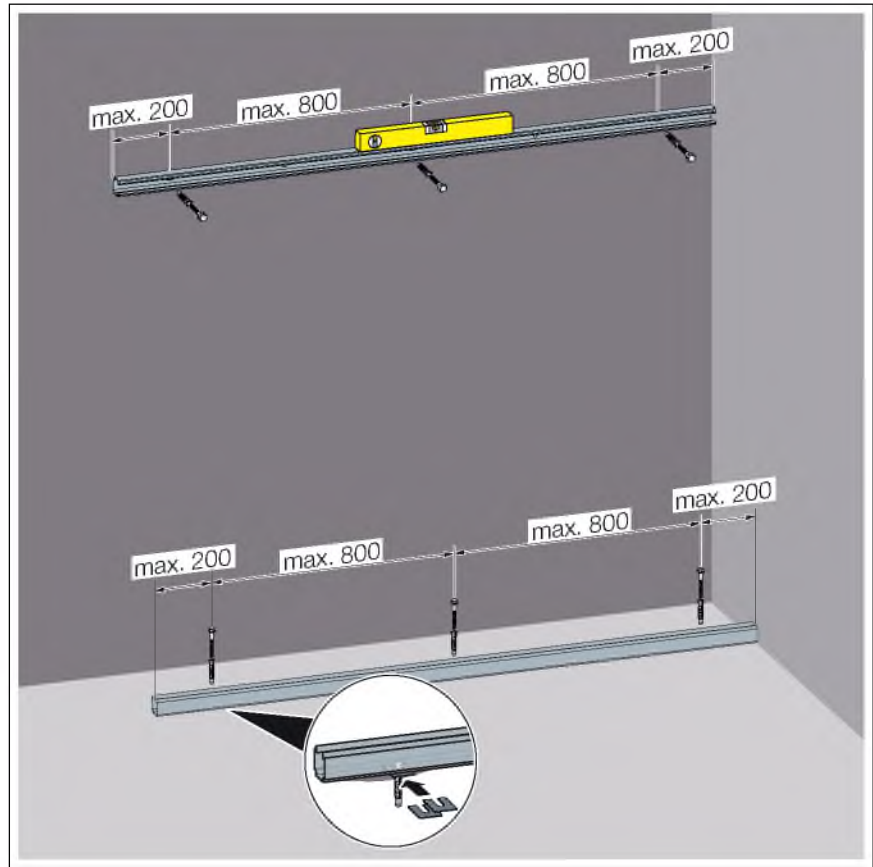


Fig. 31: Rail fixing dimensions

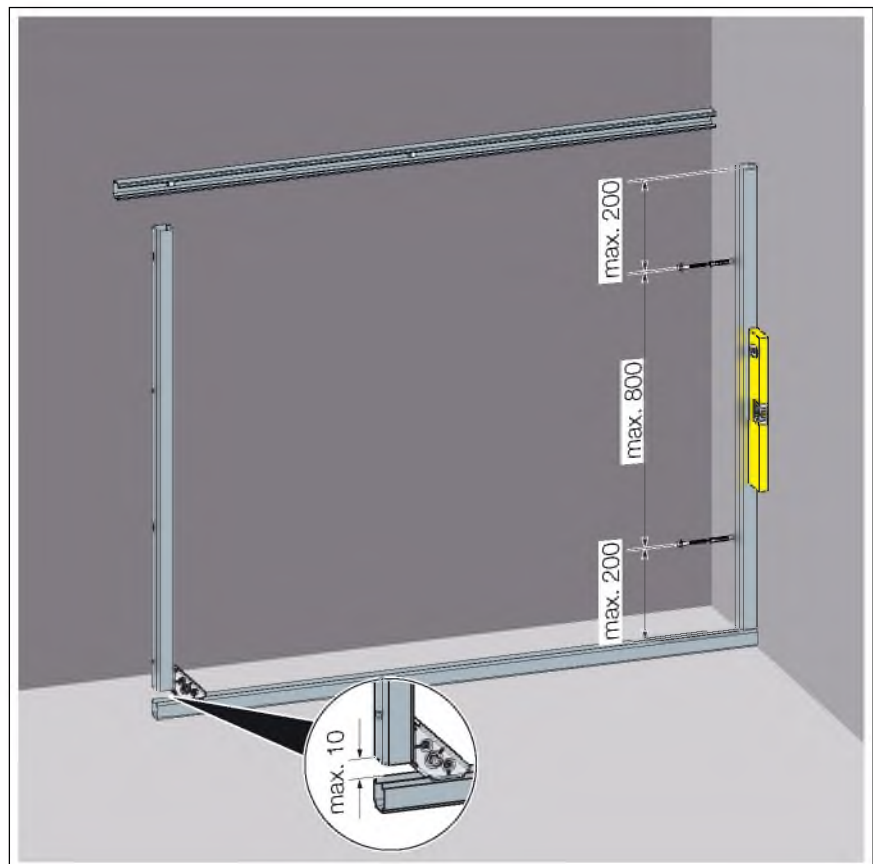


Fig. 32: Rail fixing dimensions

#### Requirements:

- The distance from the end of the rail until the first fixing must not exceed 200 mm.
- The distance between two fixings must not exceed 800 mm.
- Secure the rails directly onto the installation body with the fixing material supplied. Align the open side of the rail in such a way that it faces away from the installation body.
- Use the equalisation panels in the case of uneven walls or floor coverings.

Push the equalisation panels below the fixing point. Adapt the number of equalisation panels to the height of the unevenness.

### Barrier-free mounting

Attach additional rails to the wall when mounting barrier-free. To see the special aspects of this mounting variation, see ↗ *'Barrier-free mounting' on page 9.*

- Fasten an additional rail approx. 37 cm above UEFFL.
- Depending on the variation of barrier-free mounting, attach an additional 700 mm wall rail above the first one.

### 3.2.3 Mounting rail connector



- Observe the alignment of the front rails before and during assembly.
- Align the rails, between which a module should be mounted, with the open side facing one another.
- Only use the blocking elements on the open rail sides.
- Observe the information regarding the minimum number of connectors with various mounting variations. You can find further information in chapter ↗ *Chapter 3.1.2 'Processing rules' on page 23.*

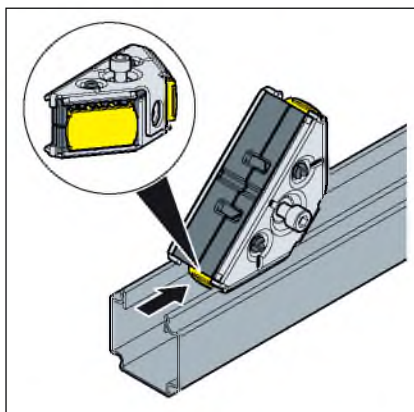
### Mounting at various angles

- Only mount the longer rail side in an angle  $\neq 90^\circ$  when connecting two rails.
- With  $45^\circ$  corner installations, attach the long and short connection side to the rails.
- Always attach a rail connector with the long side in the case of other installation angle, e.g. with roof constructions. Connect the two rail connectors to one another via a joint.

### Mounting on the open side of the rail

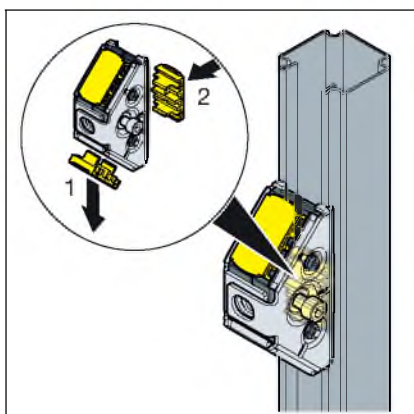
**INFO!** The yellow blocking elements are factory-fitted onto the short side of the Prevista Dry Plus connector. The blocking elements prevent the mounting rail being pressed together at the fixing point when the screw is tightened.

- If the long side of the rail connector is to be mounted onto the open side of the rail, place a blocking element from the short side onto the long side.



- Place the Prevista Dry Plus connector with blocking element onto the open rail side.

□ The rail connector audibly engages.



- Remove the blocking element from a short side.

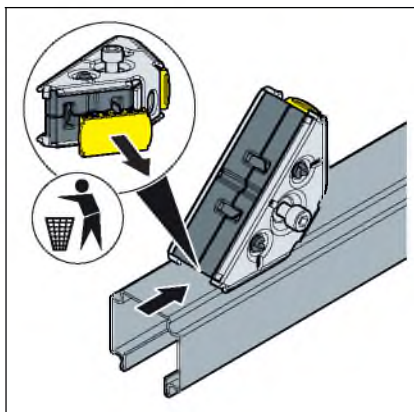
Place the blocking element in the intended holes on the long side of the connector and push.

- Place the Prevista Dry Plus connector with blocking element onto the open rail side.

□ The rail connector audibly engages.

- Move the rail connector into the desired position on the rail and tighten the fixing screw there with the Allen key provided. Move the rail connector into the desired position on the rail and tighten the fixing screw there with the Allen key provided.

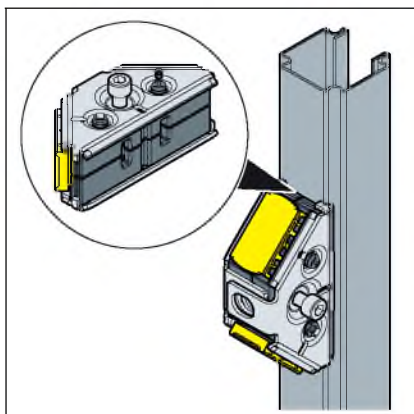
### Mounting on the closed side of the rail



- Remove and dispose of the blocking element.

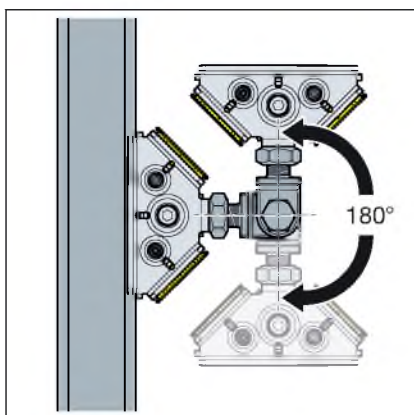
- Place the Prevista Dry Plus connector onto the closed rail side.

□ The rail connector audibly engages.



- Make sure that there is no blocking element on the long side of the connector side.
- Place the Prevista Dry Plus connector onto the closed rail side.
  - The rail connector audibly engages.
- Move the rail connector into the desired position on the rail and tighten the fixing screw there with the Allen key provided. Move the rail connector into the desired position on the rail and tighten the fixing screw there with the Allen key provided.

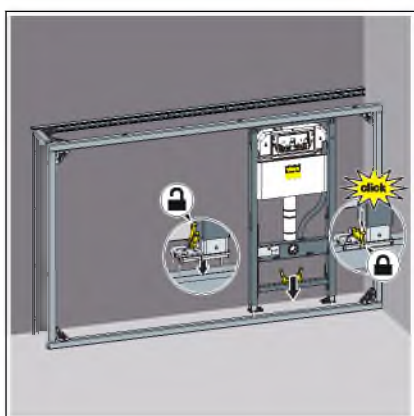
### Connection with Prevista Dry Plus joint



- Connections with an angle of up to 180° can be made using the joint.
- Screw the joint with the threads onto one rail connector each.
  - Place the long side of a rail connector onto the rail.
  - Place the second rail connector on the other rail.
    - The rail can still be either loose or connected.
  - Slide the rail connectors into the desired position.
  - Tighten the screws on the rail connectors and the joint at the respective position with the Allen key supplied.

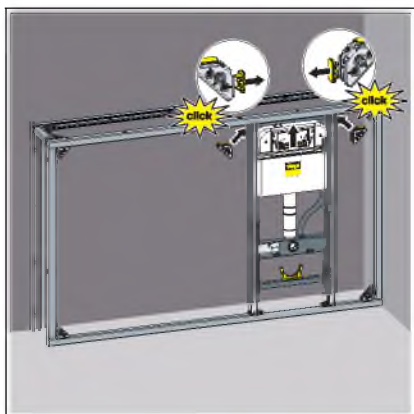
## 3.2.4 Rounding off jobs

### Mounting the elements



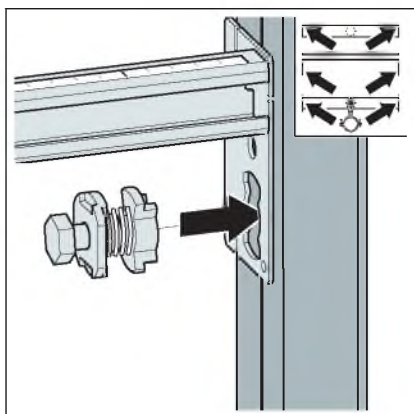
- Position the element on the floor rail.
- Fix the feet on the floor rail using the clips.
- Set the height of the element by means of the feet.



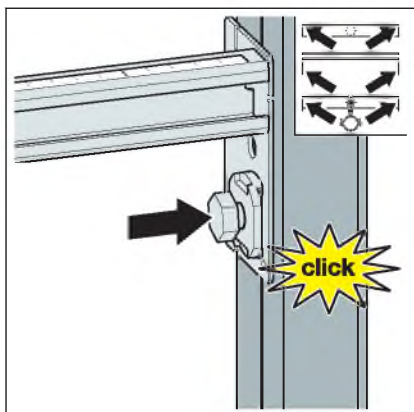


- Fix the element with the Prevista Dry Plus rail connectors.

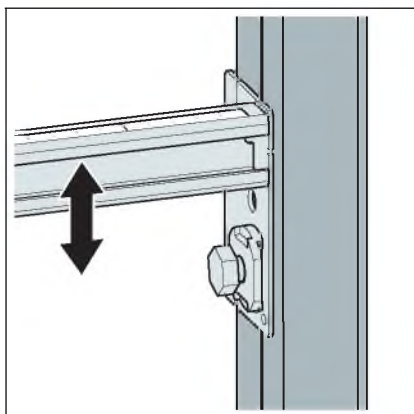
**Mounting modules**



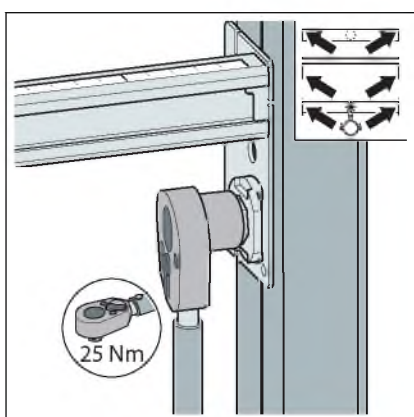
- Secure the module onto the open mounting rail with the slot nuts.  
Insert the slot nut into the opening of the module.



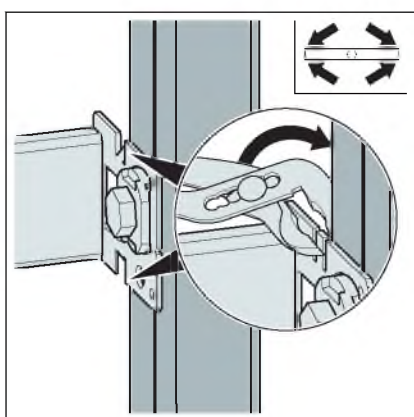
- Push the slot nut in until it engages.



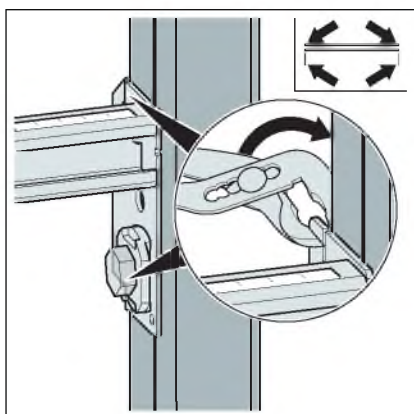
► Set the height of the rails.



► Fasten the slot nut.



► Bend the sides of the metal bars of the rails.

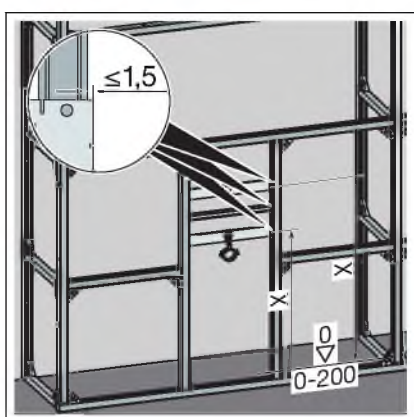


► Bend the sides of the metal bars of the fitting holder.





- Bend the sides of the metal bars of the drain elbow.



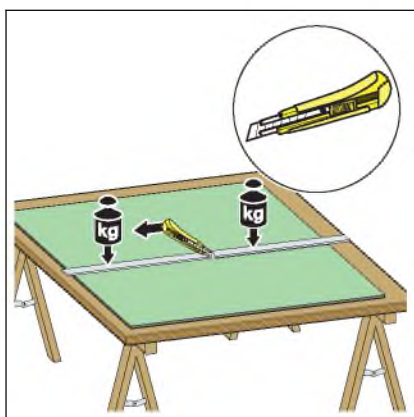
- Adjust the heights of the module according to the sanitary object manufacturer's specifications.
- The projection of the carriers beyond the rails is maximum 1.5 mm.



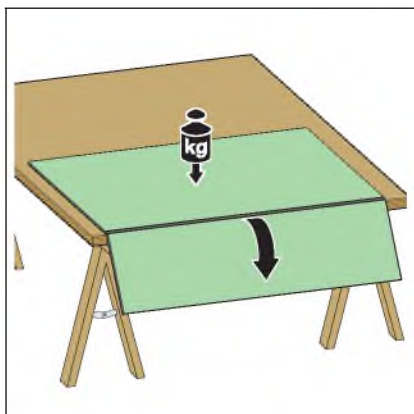
Further information on the individual modules and how they are mounted can be found in the mounting instructions for the model concerned.

### Shaping and fitting the cladding

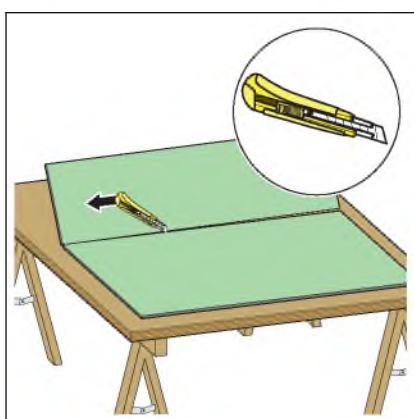
#### Preparing gypsum plasterboard cladding panels



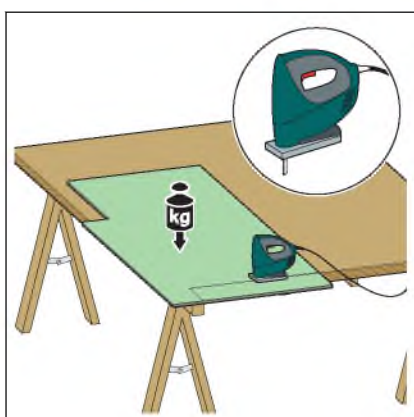
- Use a plasterboard blade to cut into the cardboard at the front.



► Break the plasterboard in the cut.

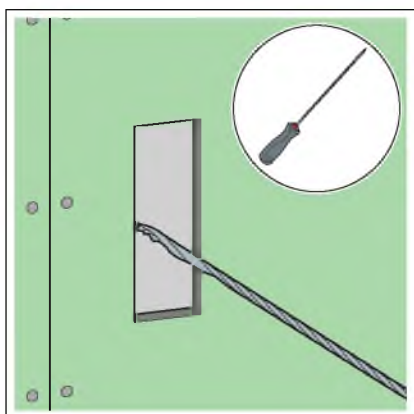


► Cut through the cardboard at the back.

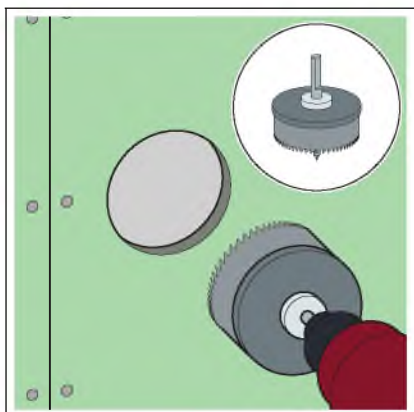


► Saw out the required blanks.

**INFO!** Particularly clean cuts are achieved with a saw.

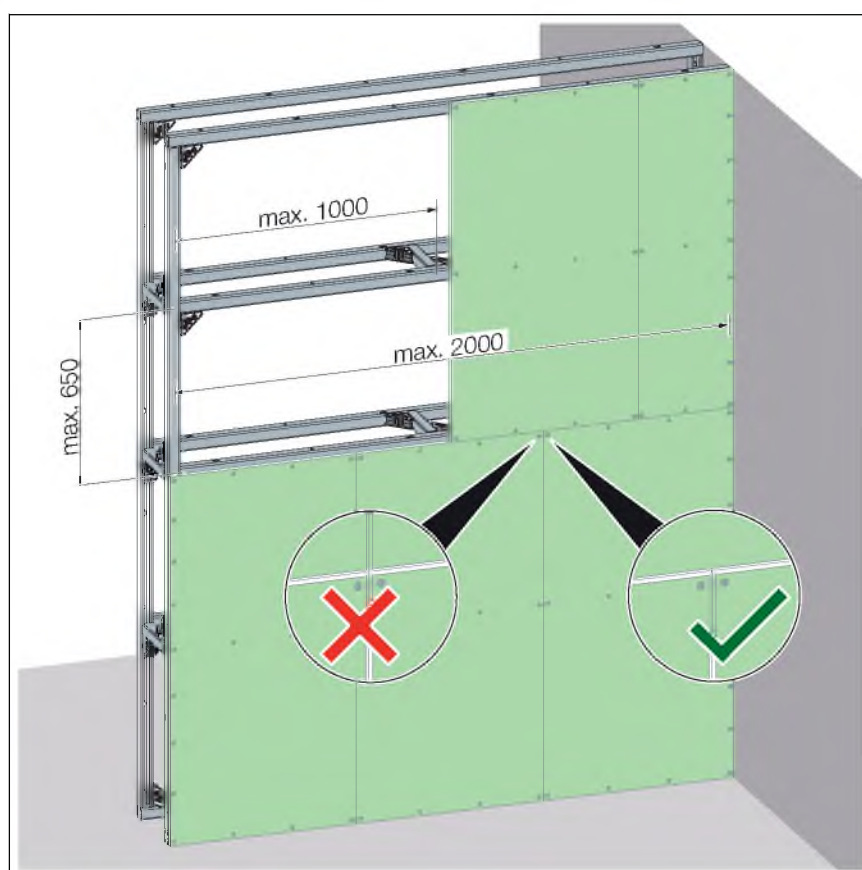


► Cut out the installation recesses with a jigsaw or an electric jigsaw.



- Make the pipe penetrations with a hollow wall box cutter, or with a jigsaw for larger diameters.

### Gypsum plasterboard cladding panels



- Clad with suitable gypsum cardboard cladding panels (18 mm).  
Make sure that no abutting edges converge.
- Grout the abutting edges and joints with a suitable filler.

### MuroLive!

**INFO! MuroLive! cladding panels from Murodesign GmbH are the alternative to gypsum cardboard cladding panels. The plastic panels are delivered custom-fitted.**

- Clip the MuroLive! cladding panels onto the Prevista Dry Plus rails open at the front.

### 3.3 Disposal

Separate the product and packaging materials (e. g. paper, metal, plastic or non-ferrous metals) and dispose of in accordance with valid national legal requirements.



**Viega GmbH & Co. KG**  
service-technik@viega.de  
viega.com

INT • 2021-07 • VPN200255

