

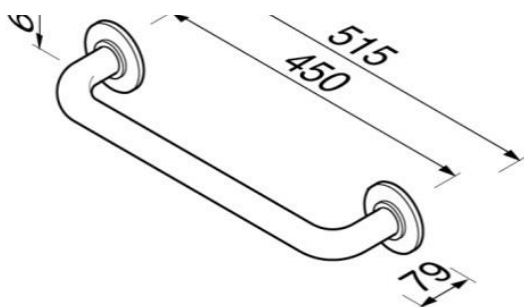
Hotel collection

91131-45

Towel rail 45 cm, 20 mm tube



- Finish: chrome
- Concealed fixing
- Guarantee 12 years



- 515x65x79 mm

Also available:

- 91131-60 Towel Rail 60 cm



Quality has proven to be of decisive importance in recent years, which is why we can offer a 12-year warranty period for our chrome products. The entire selection is developed in Amersfoort. Geesa is certified according to the ISO 9001-2008 standard for design, productions and the delivery of bathroom accessories. Geesa reserve the right to change product specification.

10/2015