

# EMBRACE PLUS SHOWER PIPE 300

## PRODUCT INFORMATION



|                         |   |
|-------------------------|---|
| <b>Model</b>            | <b>TVS1083000161</b>  |
| Collection              | Embrace Plus  |
| Finish                  | Polished Chrome   |
| Water Flow at 3 bar     | max. 9.5 l/min Hand Shower<br>max. 9.5 l/min Rain Shower    |
| Dimensions              | H 1.084 x D 488 mm  |
| Diverter                | 3 Ways: Hand Shower,<br>Hand & Rain Shower,<br>Rain Shower, |
| Hose Length             | 1.6 m   |
| Flow Restrictor         | 9.5 l/min   |
| Cartridge               | Thermostat  |
| Material Rain Shower    | Stainless Steel   |
| Diameter Rain Shower    | 300 mm  |
| Column & Mixer Material | Brass   |
| Rosette Material        | Brass   |
| Hand Shower             | TVS1084130161   |
| Spray Type              | Relax<br>Massage<br>Intense                                 |

## PRODUCT FEATURES



### Easy to Clean:

Easily remove limescale thanks to the flexible nozzles..



### Max. Flow volumes:

9,5 l/min..



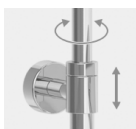
### Scald protection:

At 38°C



### A soothing experience:

Enjoy lavish shower comfort with the movable and removable hand shower.



### Movable shower arm:

Can be swiveled to the left and right..



### Shower hose with Anti-Twist-Protection:

Flexible and kink-resistant hose with anti-twist protection.



### Comfortable hand shower holder:

Adjustable height and tilt angle.



### A comfortable shower experience:

Let yourself be pampered by the shower experience of the wide shower head..



### Jet regulator:

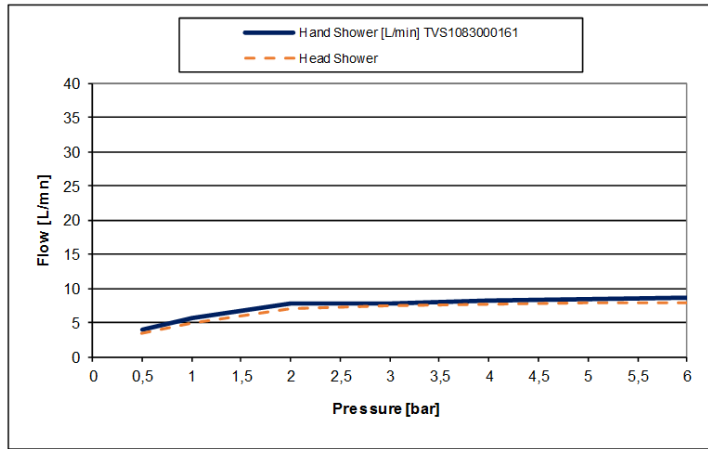
Intuitive jet mode changes via the easy-to-push button. Ergonomically shaped and flush fitting.



### Safe:

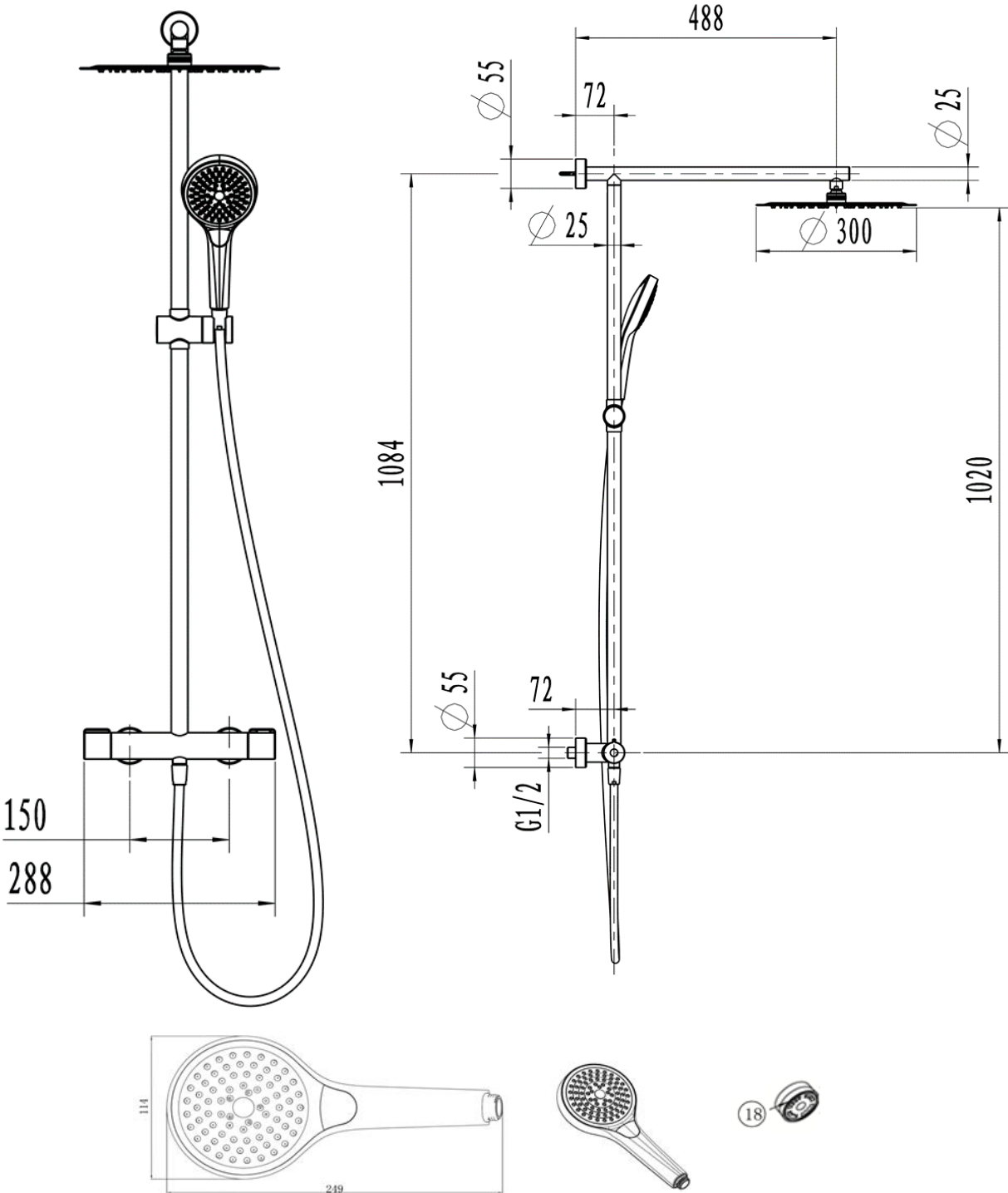
Protection from pressure and temperature fluctuations.

# FLOW CHART



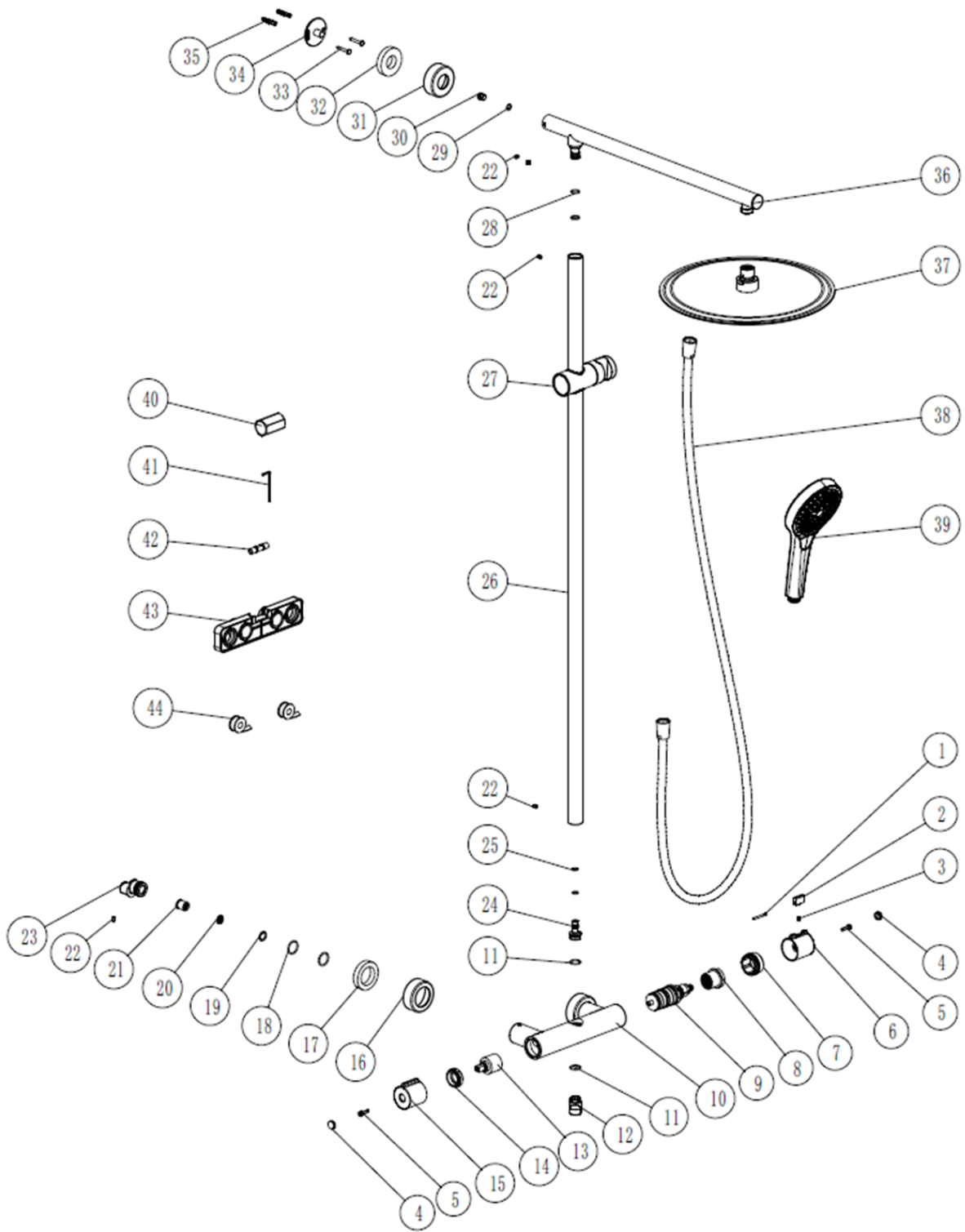
# EMBRACE PLUS SHOWER PIPE 300

TECHNICAL DRAWING



# EMBRACE PLUS SHOWER PIPE 300

## EXPLOSION DRAWING



## EMBRACE PLUS SHOWER PIPE 300

### SPARE PARTS

| Article Number | Description                         | No.                  | Consists of  |
|----------------|-------------------------------------|----------------------|--|
| TVS10801804000 | Shower pipe O-Ring & connection set | 22, 25, 28,          | 22. Set Screw<br>25. O-Ring<br>28. O-Ring  |
| TVS10801005000 | Fixation Kit                        | 31, 32, 33, 34, 35   | 31. Rosette 32. Sealing Foam<br>33. Screw Set<br>34. Fixation Bracket<br>35. Wall Anchor Set |
| TVS10801103000 | Hand shower slider                  | 27                   | Hand shower slider   |
| TVS10801605000 | S-Connector Set                     | 18,19, 21,<br>22, 23 | 18. O-Ring, 19. O-Ring<br>21. Back flow preventer<br>22. Set Screw 23. S-Connector           |
| TVS10801703000 | Rosette for S-Connector Set         | 16, 17               | 17. Sealing foam<br>16. Rosette  |
| TVS10802101000 | Handle Set                          | 4, 5, 15,            | 4. Cover plate<br>5. Screw<br>15. Handle   |
| TVS10801204000 | Diverter                            | 13                   | Diverter   |
| TVS10800102000 | Thermostat                          | 9                    | Thermostat   |
| TVS10801503000 | Handle Set for Thermostat           | 1, 2, 3, 4, 5, 6     | 1+2+3. Thermo Stop Pin<br>4. Cover cap<br>5. Screw, 6. Handle                                |
| TVS10801403061 | Rain shower                         | 37                   | Rain shower  |