

AXOR ShowerSolutions

Basic set/ waterconducting unit for shelf 120/120 for concealed installation

Surfaces: n.a. Article Number: 40877180



Description

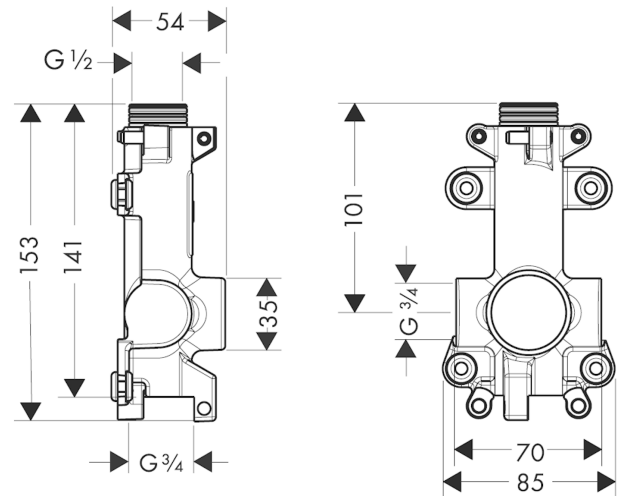
product features

- in a joined installation it serves as a waterconducting unit, allows dimensionally accurate positioning. In combination with: no.40872000

Product image



Scale drawing



AXOR ShowerSolutions
Basic set/ waterconducting unit for shelf 120/120 for concealed installation
 Surfaces: n.a. Article Number: **40877180**



Installation examples

