

## Novus

### Single lever bath mixer Monotrou

Surfaces: **Chrome** Article Number: **71322000**



#### Description

##### product features

- projection 140 mm
- connection type: G 3/8 connections
- spray type mixer: normal spray
- flow rate at 3 bar: 20 l/min
- ceramic cartridge
- min. operating pressure: 1 bar
- max. operating pressure: 10 bar
- temperature limitation adjustable
- suitable for continuous flow water heaters
- connection dimension: DN15

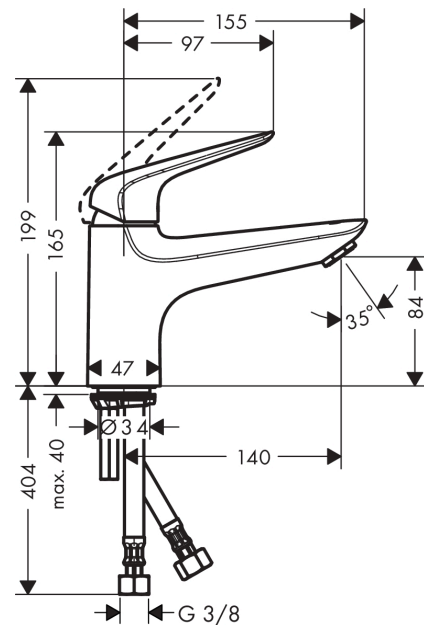
#### Technology



#### Product image



#### Scale drawing



#### Flowchart

