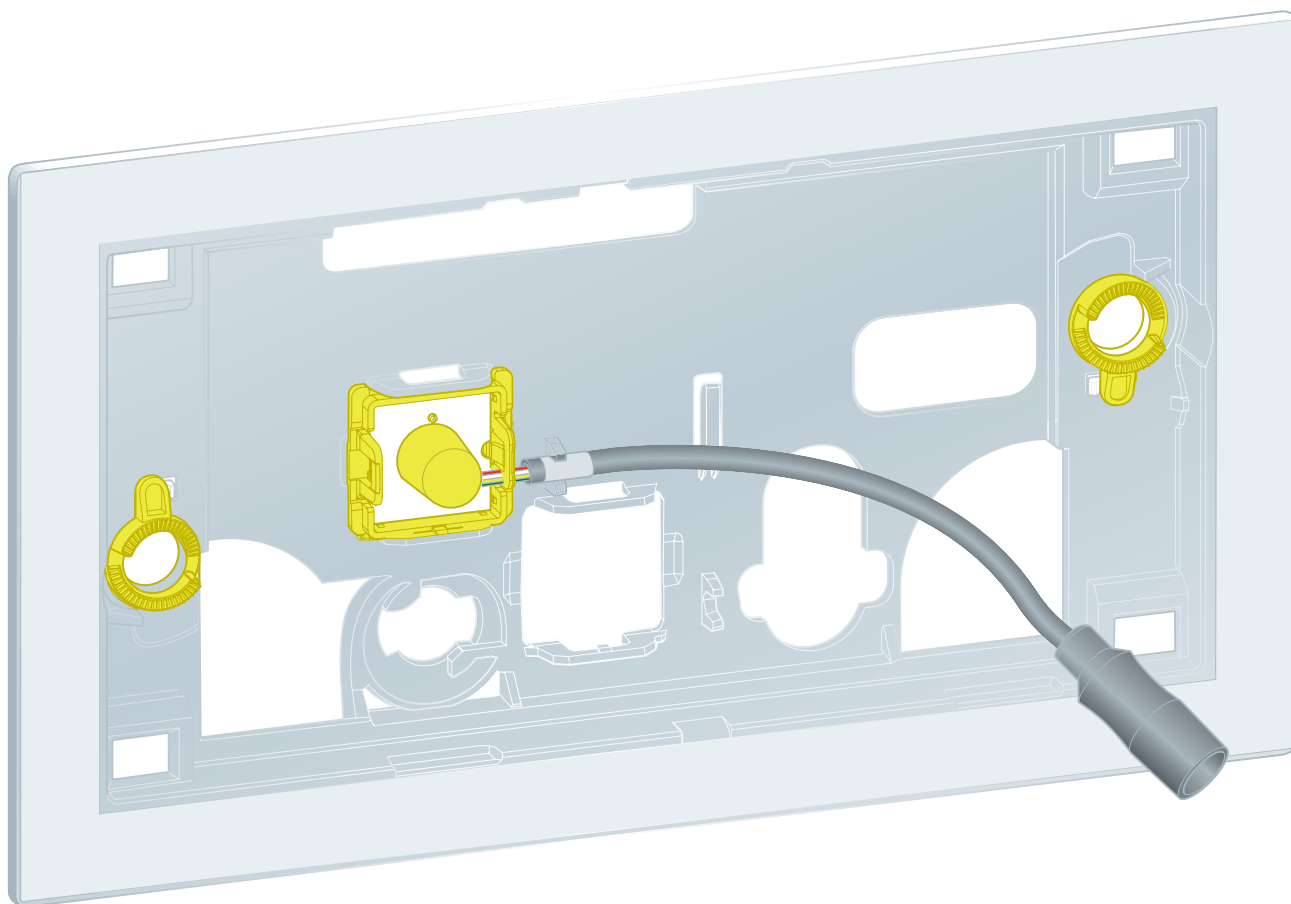


WC installation frame for Prevista with LED lighting

Instructions for Use



for all Prevista concealed cisterns

Model
8650.1

Year built:
from 09/2018

en_INT

viega

Table of contents

1	About these instructions for use	4
1.1	Target groups	4
1.2	Labelling of notes	4
1.3	About this translated version	5
2	Product information	6
2.1	Intended use	6
2.1.1	Areas of use	6
2.2	Product description	6
2.2.1	Overview	6
3	Handling	7
3.1	Assembly	7
3.1.1	Mounting the installation frame	7
3.2	Disposal	10

1 About these instructions for use

Trade mark rights exist for this document; for further information, go to viega.com/legal.

1.1 Target groups

The information in this instruction manual is directed at the following groups of people:

- Heating and sanitary professionals and trained personnel
- Drywall builder

Individuals without the abovementioned training or qualification are not permitted to mount, install and, if required, maintain this product. This restriction does not extend to possible operating instructions.

The installation of Viega products must take place in accordance with the general rules of engineering and the Viega instructions for use.

1.2 Labelling of notes

Warning and advisory texts are set aside from the remainder of the text and are labelled with the relevant pictographs.



DANGER!

This symbol warns of possible life-threatening injury.



WARNING!

This symbol warns of possible serious injury.



CAUTION!

This symbol warns of possible injury.



NOTICE!

This symbol warns of possible damage to property.



This symbol gives additional information and hints.

1.3 About this translated version

This instruction for use contains important information about the choice of product or system, assembly and commissioning as well as intended use and, if required, maintenance measures. The information about the products, their properties and application technology are based on the current standards in Europe (e.g. EN) and/or in Germany (e.g. DIN/DVGW).

Some passages in the text may refer to technical codes in Europe/Germany. These should serve as recommendations in the absence of corresponding national regulations. The relevant national laws, standards, regulations, directives and other technical provisions take priority over the German/European directives specified in this manual: The information herein is not binding for other countries and regions; as said above, they should be understood as a recommendation.

2 Product information

2.1 Intended use

2.1.1 Areas of use

The installation frame is intended for the installation of the WC flush plates for Prevista Visign for More 201 and 204 in dry construction pre-walls.

2.2 Product description

2.2.1 Overview

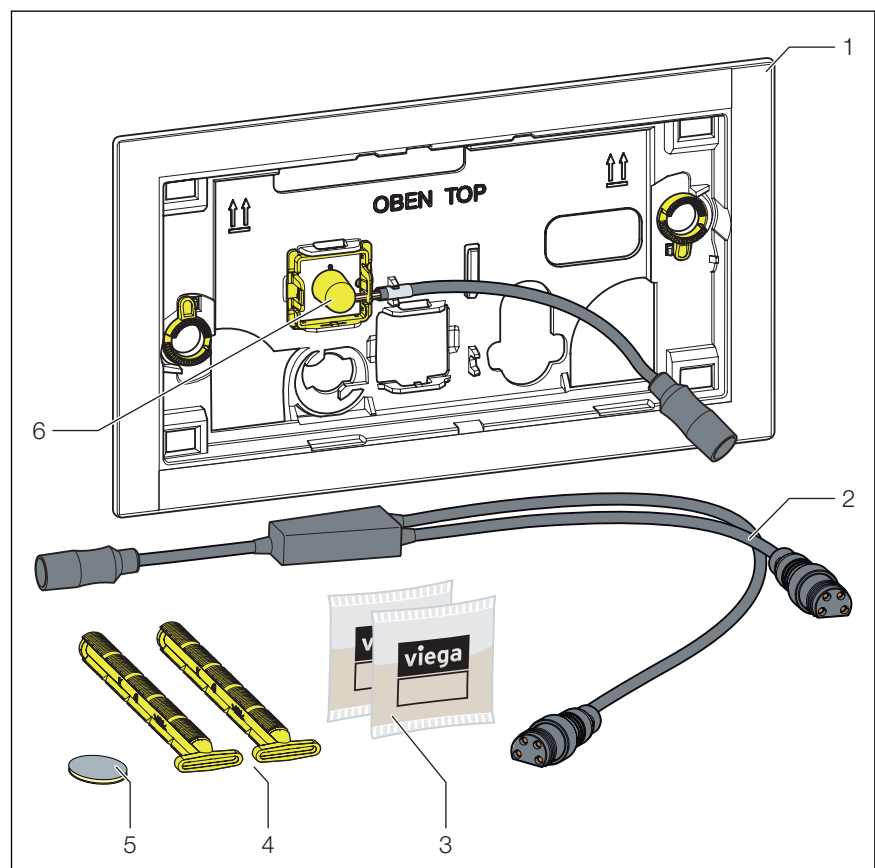


Fig. 1: Scope of delivery

- 1 WC installation frame
- 2 Y cable
- 3 silicon grease (2 x 2 g)
- 4 retaining bolt
- 5 glue point
- 6 infrared sensor

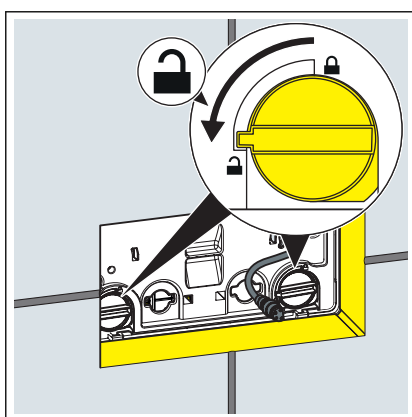
3 Handling

3.1 Assembly

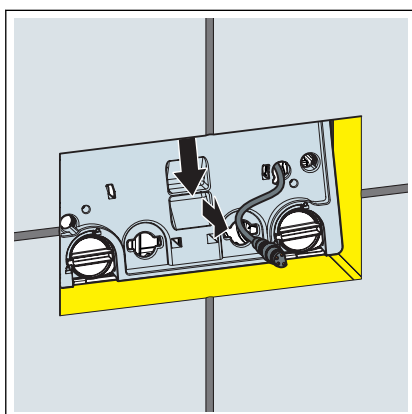
3.1.1 Mounting the installation frame

Requirements:

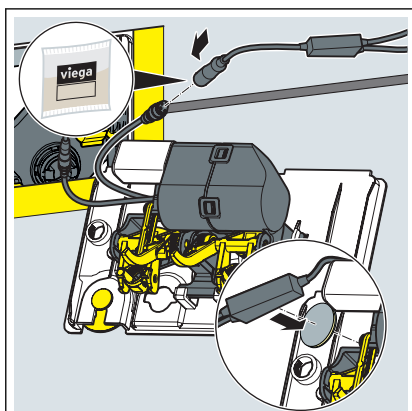
- The power pack is installed and connected to the motor.
- The control has been plugged onto the cover plate.
- The cistern is fitted into the pre-wall.
- The pre-wall is tiled.
- Turn the cover plate lock 90° in anti-clockwise direction.

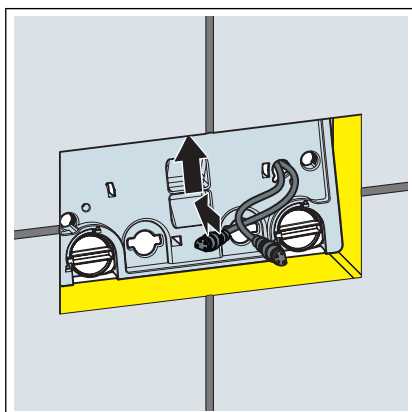


- Remove the cover plate.

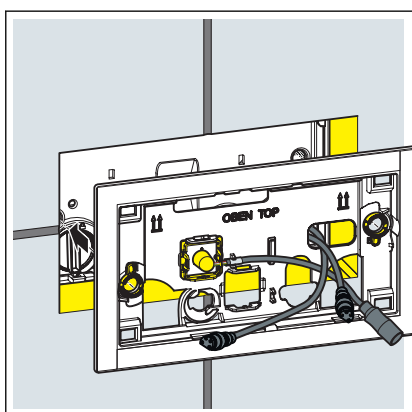


- Apply the silicon grease to the electronic connections.
- Connect the Y-cable with the single-assignment side to the control.
- Fasten the Y-cable on the rear of the cover plate using the adhesive point.

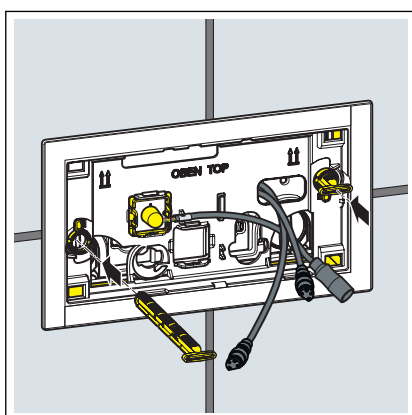




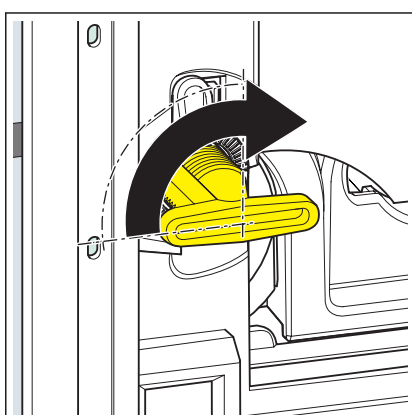
- Guide the two ends of the Y-cable forward through the right-hand opening of the cover plate.
- Replace the cover plate and lock it.



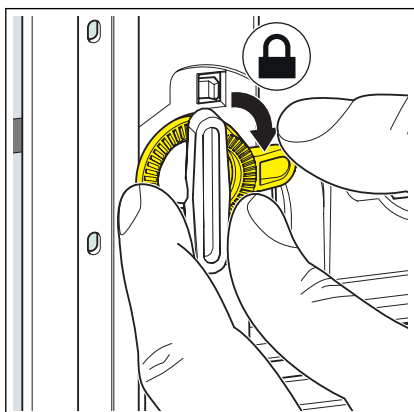
- Put on the installation frame.



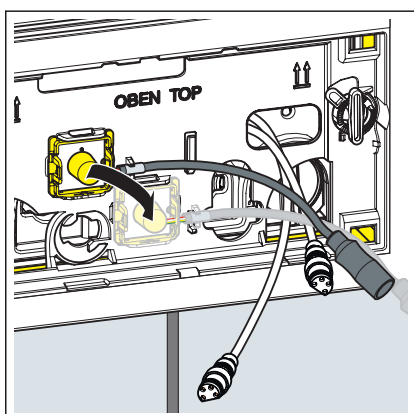
- Insert the retaining bolts.



- Turn the retaining bolts by 90° in a clockwise direction.

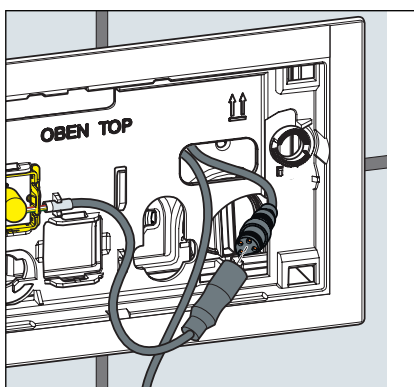


- Align the installation frame.
- To fix the retaining bolts, turn safety rings in a clockwise direction.

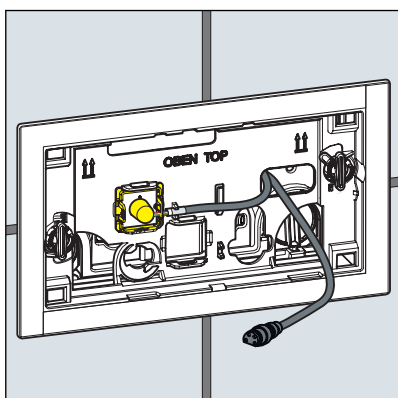


INFO! When using the WC flush plate Visign for More 201:

- Loosen the infrared sensor and plug it on the bottom wall bracket.



- Apply the silicon grease to the connections.
- Connect the short end of the Y-cable to the installation frame.
- Push the major part of the cable back into the cistern.



- ⇒ The installation frame has been mounted and the flush plate can be mounted.

3.2 Disposal

Separate the product and packaging materials (e. g. paper, metal, plastic or non-ferrous metals) and dispose of in accordance with valid national legal requirements.