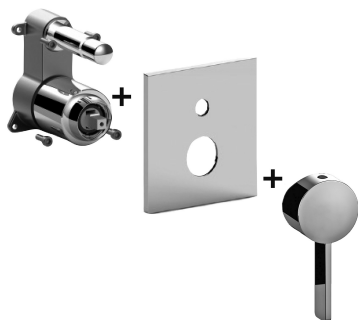


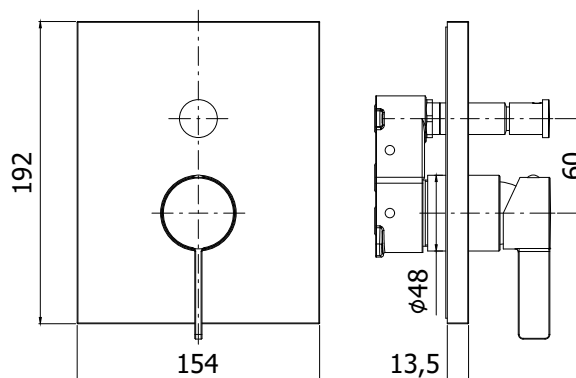
COLLECTION

rock

PRODUCT IMAGE



TECHNICAL DRAWING



DESCRIPTION

External set for concealed shower mixer (2 outlets) complete with:

- mixer body
- ABS wall plate 154x192mm and lever

ART.

RO BOX015 . .
with push diverter

ZPRO BOX015 . .
Extension with diverter for art. BOX015
• H30mm

FINISHES

RO
CR - chrome plated
ST/M - steel looking with stainless steel wall plate

ZPRO
CR - chrome plated
ST - steel looking finish

DOCUMENTATION



FLOW DIAGRAM
1



INSTALLATION
INSTRUCTIONS



PRODUCT PAGE

www.paffoni.it