

## AXOR ShowerSolutions Hand shower 120 3jet

Surfaces: **Brushed Nickel**    Article Number: **26050820**



### product features

- shower head size: 125 mm
- spray type: Rain, RainAir, WhirlAir
- convenient diversion via Select button
- maximum flow rate at 3 bar: 15 l/min
- Minimum flow pressure: 1 bar
- with internal water conduction
- rinseable dirt filter
- connection thread G 1/2
- connection dimension: DN15
- suitable for continuous flow water heaters

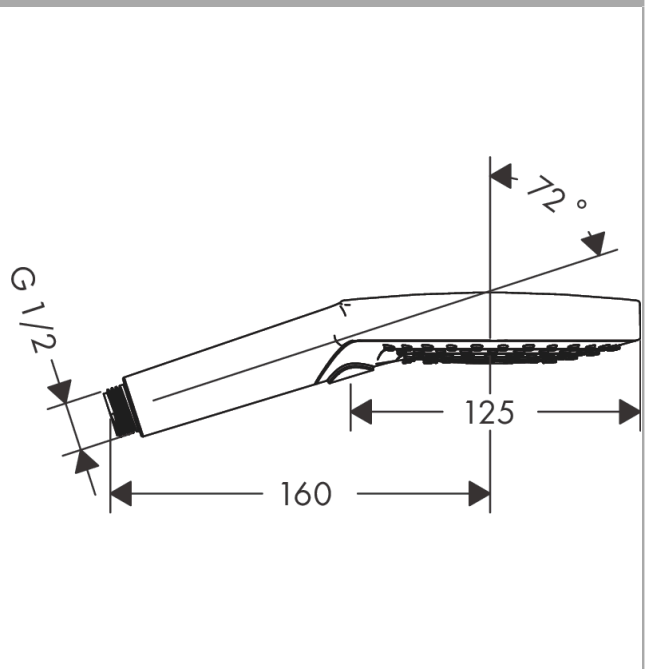
### Technology



### Product image



### Scale drawing



## AXOR ShowerSolutions

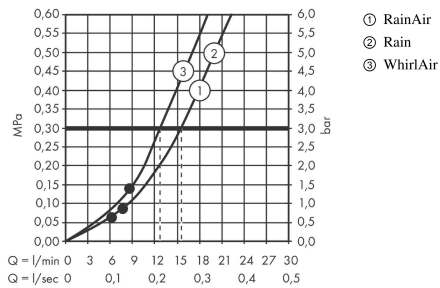
### Hand shower 120 3jet

Surfaces: **Brushed Nickel**

Article Number: **26050820**



### Flowchart



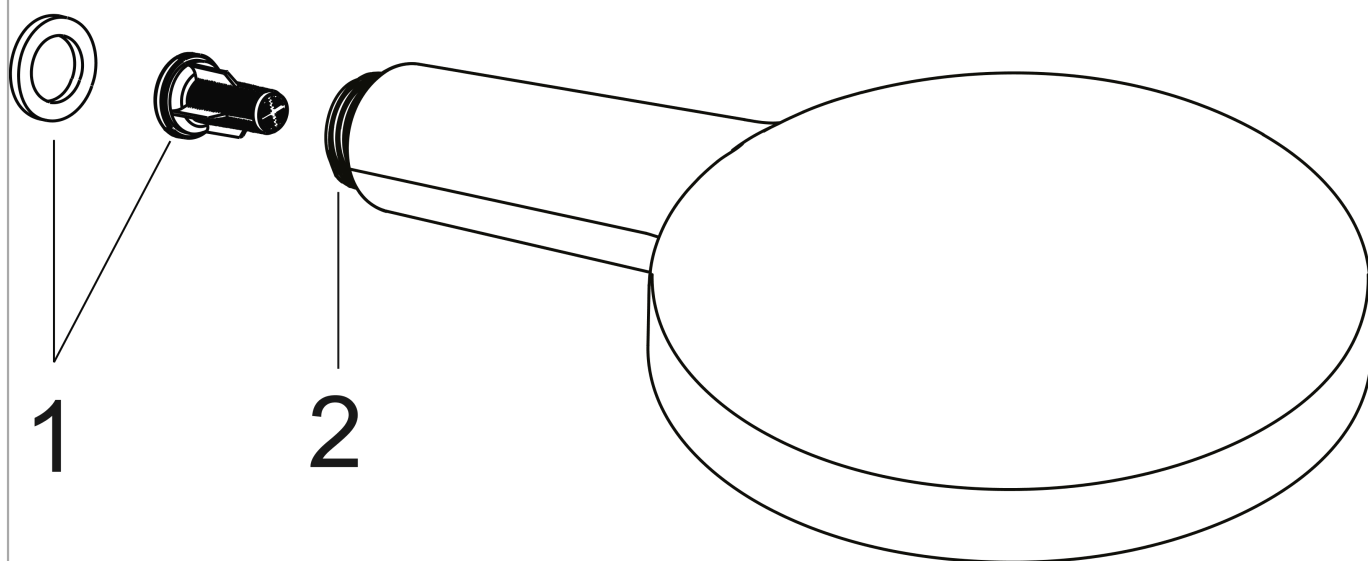
The consumption was measured in combination with the appropriate fittings (thermostat/mixer/in-wall valve) to reflect actual application in practice.

**AXOR ShowerSolutions**  
**Hand shower 120 3jet**  
Surfaces: **Brushed Nickel**    Article Number: **26050820**



## Exploded Drawing

Year of production: >11/16



**AXOR ShowerSolutions**  
**Hand shower 120 3jet**  
Surfaces: **Brushed Nickel**

Article Number: **26050820**



## Spare part list

Year of production: >11/16

Pos.		Article Number	Price	PU
1	filter insert	97708000	-	1
2	pivoting connection	93089000	-	1