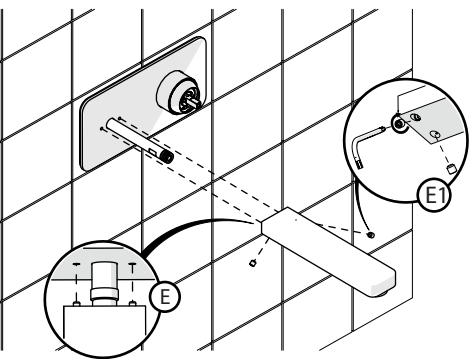
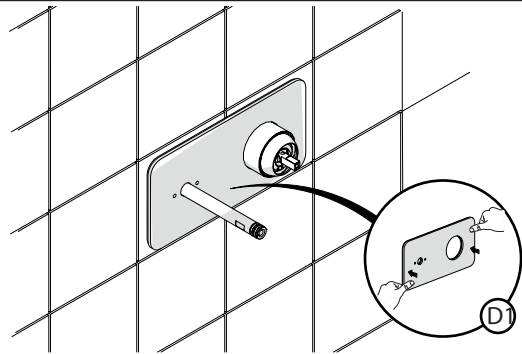
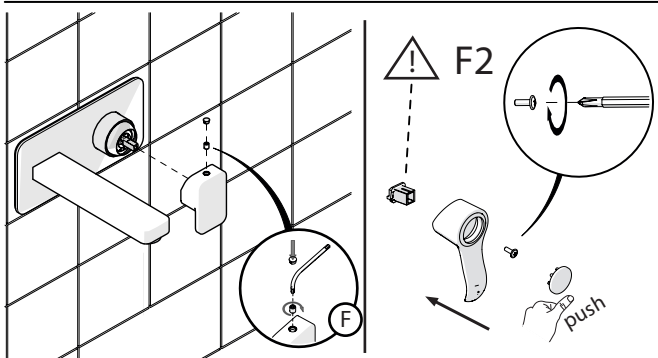


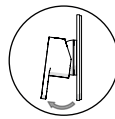
7



8



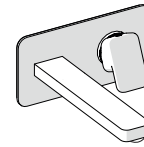
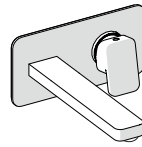
50%



100%



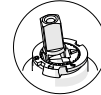
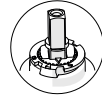
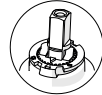
9



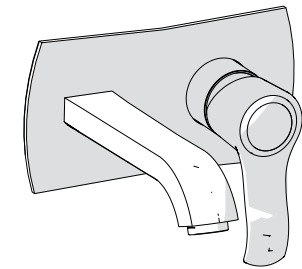
No limitation of temperature

Partial limitation of temperature

Maximum position Only cold water



NOBILIA®
The Best Technology for Water



SI98198

SI98198/1

www.grupponobili.it

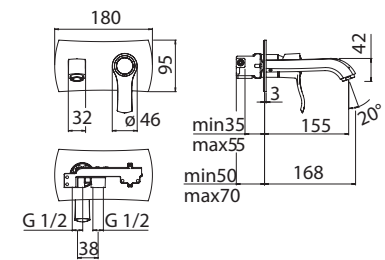
IISTRSI98198#--STD

REV2.01/2017



10

198



198/1

