

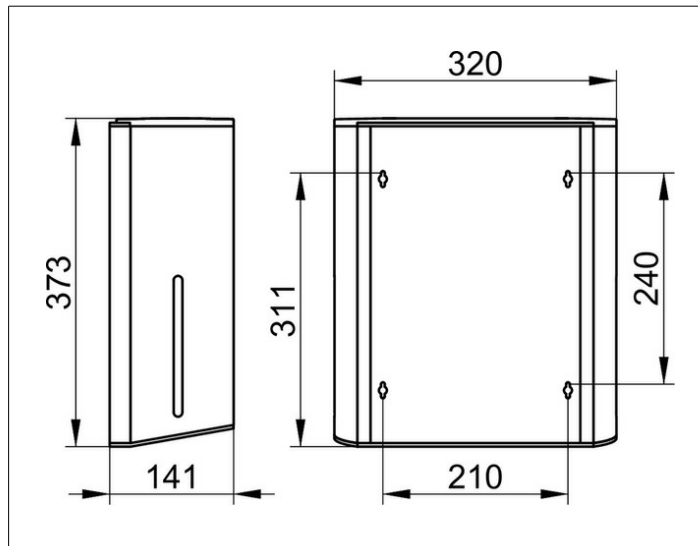
Plan

14985070000 Дозатор бумажных полотенец

ИЗДЕЛИЕ



ЧЕРТЕЖ



ПОВЕРХНОСТЬ

нержавеющая сталь finish

СПЕЦИФИКАЦИИ

KEUCO PLAN paper towel dispenser 14985070000
high grade stainless steel paper towel dispenser,
wall mounted model for installation in the public domain
for folded paper towels, length from 9-8/16 up to 10", width from 3-15/16" up
to 4-6/8",
height 14-9/16", width 12-5/8", projection 5-9/16",
The paper towel dispenser is fitted with 4 hidden fixing points
incl. corrosion-free mounting material