

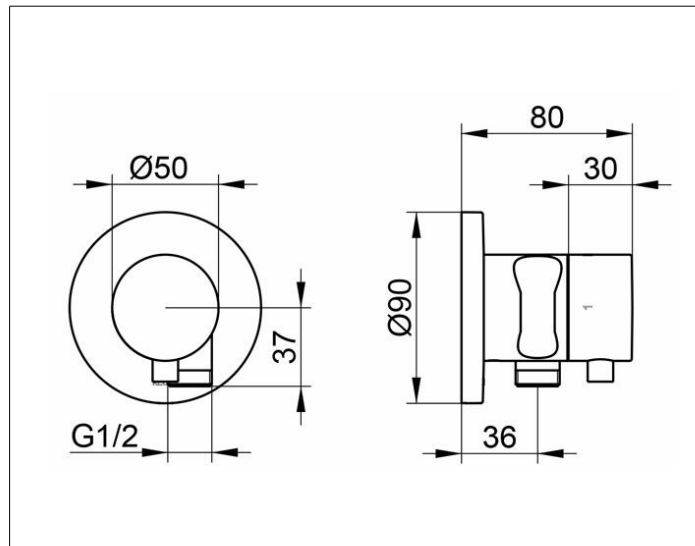
IXMO

59557051201 2-way stop and diverter valve with wall outlet for shower hose and hand shower bracket DN 15

PRODUCT



DRAWING



PRODUCT ATTRIBUTES

for shower hoses with fitted conical end brackets
 Set complete with:
 handle, casing, rosette (round) and stop and diverter valve,
 intrinsically safe against backflow,
 suitable for rough part no. 59556 000170

SURFACE

brushed nickel

DIMENSION

IXMO Comfort, rund