

GC Series
Bidet Faucet
(w/ Pop-up Waste)



Features

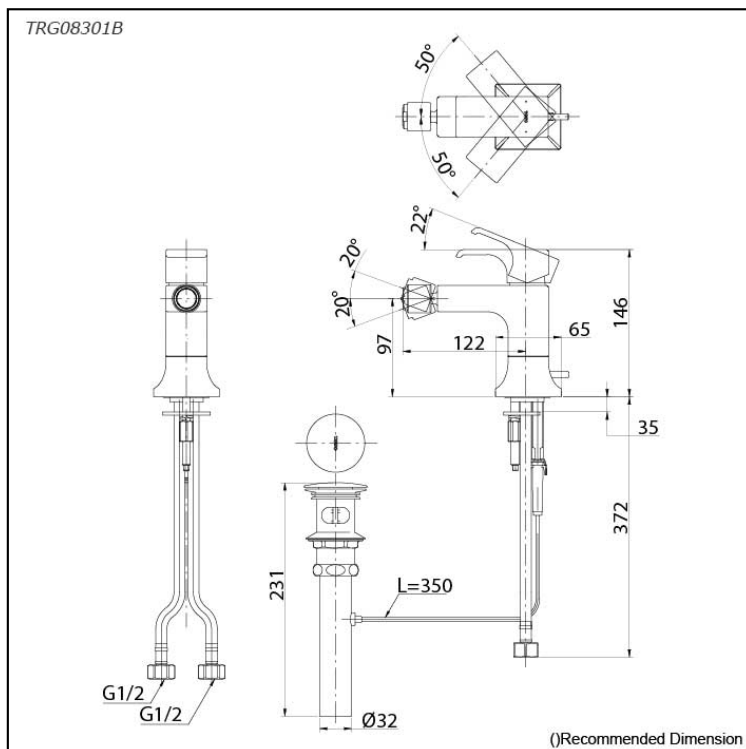
- Breadth and symbolism of classic design in a contemporary form
- Elegant design that stood the test of time while transitioning to a modern design that reflects the present day
- Easy Installation and Usage

Specifications

Finish: Chrome
Material: Brass
Water Pressure: 0.05MPa~1.0MPa

Parts description

- **TRG08301B**
Bidet Faucet
(w/ Pop-up Waste)



Flow Rate

TRG08301B

