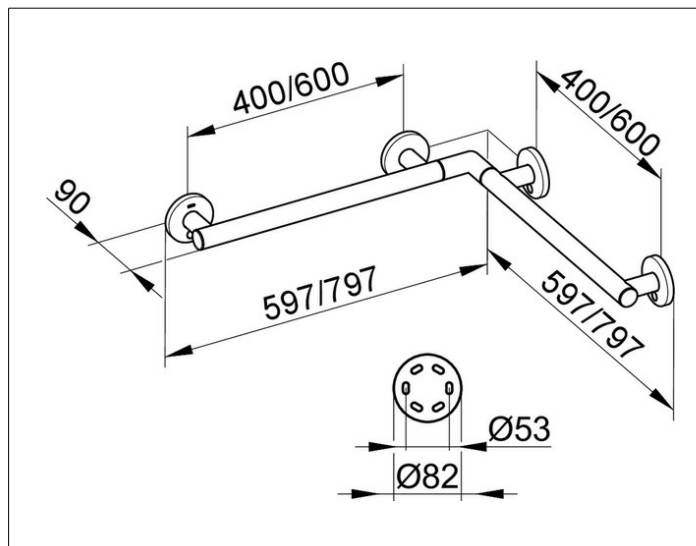


Plan Care

34911174400 Поручень вдоль стены и штанга для душа

ИЗДЕЛИЕ**ЧЕРТЕЖ****ОПИСАНИЕ ИЗДЕЛИЯ**

применяется справа и слева

ПОВЕРХНОСТЬ

алюминий анодированный(E6 EV1)/хром

ГАБАРИТЫ

597/597 mm

СПЕЦИФИКАЦИИ

KEUCO PLAN CARE corner rail for shower/bath 34911174400
corner rail for shower/bath aluminium silver anodized (E6 EV 1)/chrome-plated

in esthetic, practical and ergonomic Design
especially for the shower and bath area
used as Support help up to 115 kg load capacity,
anti-static,
easy to clean
Base measurement 400/400 mm
Pipe diameter 33 mm,
Rosette Diameter 82 mm
horizontal side
Length 597 mm and 597 mm
Projection 90 mm,
Wall distance 57 mm
The Support handle will be at 12 places discretely mounted

May be combined with tip-up seat with backrest
(Art. no. 34981) or spray guard (Art. no. 34940)

Included in delivery:
4 x mounting set1 (Art. no. 34990000100)

Further mounting sets
(depending on type of wall):
4 x mounting set 4 (Art. no. 34990 000200), or
4 x mounting set 7 (Art. no. 34993 000200)
Please order additionally!