

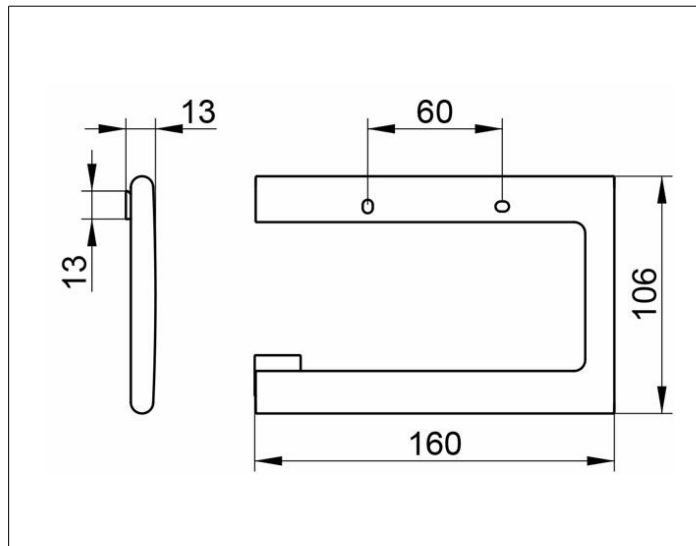
**Edition 400**

11562130000 Toilet paper holder

**PRODUCT**



**DRAWING**



**PRODUCT ATTRIBUTES**

open form  
for 100/120 mm wide paper rolls

**SURFACE**

brushed black chrome

**SPECIFICATIONS**

KEUCO Edition 400 Toilet paper holder, 11562130000  
brushed black chrome toilet paper holder,  
sculptural design,  
easy to clean, wall-mounted,  
with concealed bearing,  
open form, for 3-15/16" / 4-3/4" wide paper rolls,  
width 6-5/16", height 4-3/16", depth 1/2",  
the toilet paper holder is fitted concealed,  
delivery included anti-corrosion fixings