

# Viega Eco Plus cover plate

## Instructions for Use



for Viega Eco Plus WC element model 8161.22

**Model**  
8356.8

**Year built:**  
from 07/2013

en\_INT





# Table of contents

<b>1</b>	<b>About these instructions for use</b>	<b>4</b>
1.1	Target groups	4
1.2	Labelling of notes	4
1.3	About this translated version	5
<b>2</b>	<b>Product information</b>	<b>6</b>
2.1	Intended use	6
2.1.1	Areas of use	6
2.2	Product description	6
2.2.1	Overview	6
<b>3</b>	<b>Handling</b>	<b>7</b>
3.1	Assembly information	7
3.1.1	Installation dimensions	7
3.1.2	Required tools	7
3.2	Assembly	8
3.2.1	Preparing mounting	8
3.2.2	Mounting cover plate	10
3.2.3	Mounting actuating button	12
3.2.4	Mounting WC ceramic	15
3.2.5	Attach protective sticker	16
3.3	Disposal	16

# 1 About these instructions for use

Trade mark rights exist for this document, further information can be found at [viega.com/legal](http://viega.com/legal).

## 1.1 Target groups

The information in this instruction manual is directed at the following groups of people:

- heating and sanitary professionals and trained personnel

It is not permitted for individuals without the abovementioned training or qualification to mount, install and, if required, service this product. This restriction does not extend to possible operating instructions.

The installation of Viega products must take place in accordance with the general approved rules of engineering and the Viega instructions for use.

## 1.2 Labelling of notes

Warning and advisory texts are set aside from the remainder of the text and are labelled with the relevant pictographs.



### **DANGER!**

This symbol warns against possible life-threatening injury.



### **WARNING!**

This symbol warns against possible serious injury.



### **CAUTION!**

This symbol warns against possible injury.



### **NOTICE!**

This symbol warns against possible damage to property.



*Notes give you additional helpful tips.*

### 1.3 About this translated version

This instruction for use contains important information about the choice of product or system, assembly and commissioning as well as intended use and, if required, maintenance measures. The information about the products, their properties and application technology are based on the current standards in Europe (e. g. EN) and/or in Germany (e. g. DIN/DVGW).

Some passages in the text may refer to technical codes in Europe/Germany. These should serve as recommendations in the absence of corresponding national regulations. The pertinent national laws, standards, regulations and guidelines, as well as other technical guidelines, have priority over German/European guidelines in this manual: The information is not binding for other countries and territories and should, as mentioned, be considered as support.

## 2 Product information

### 2.1 Intended use

#### 2.1.1 Areas of use

The cover plate is exclusively suitable for the height-adjustable Viega Eco Plus WC element (model 8161.22).

### 2.2 Product description

#### 2.2.1 Overview

The cover plate (glass) is equipped with a push button with rosette for the individual height adjustment of the WC ceramic and WC connection set.

# 3 Handling

## 3.1 Assembly information

### 3.1.1 Installation dimensions

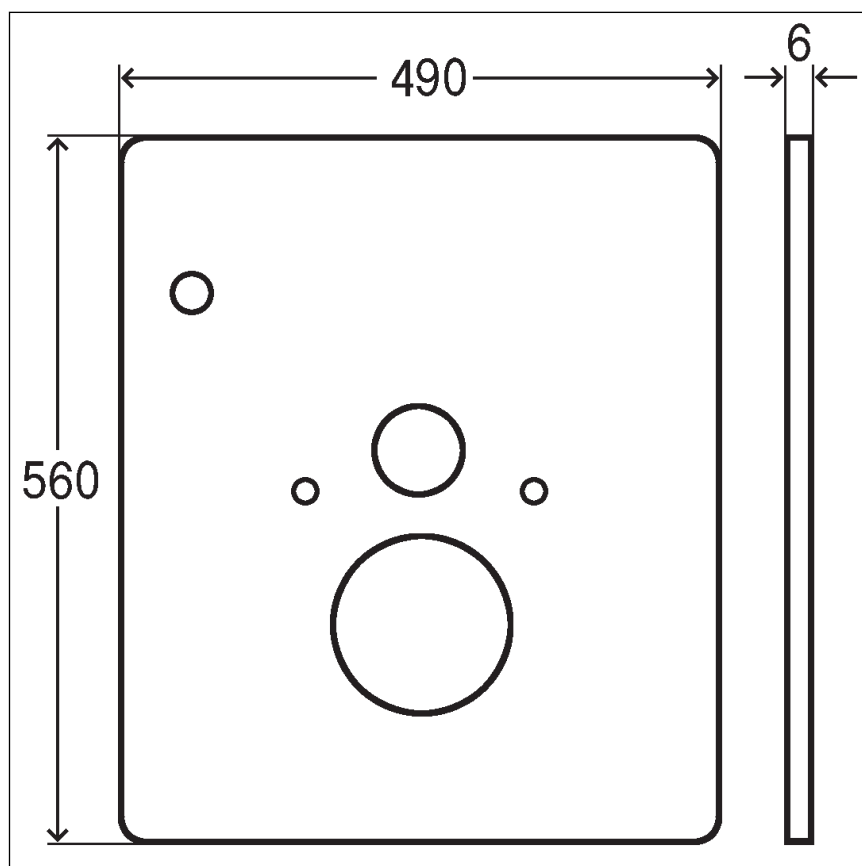


Fig. 1: Dimensions cover plate model 8356.8

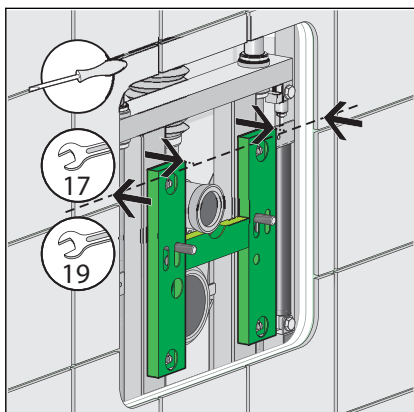
### 3.1.2 Required tools

The following tools are required for mounting:

- fork or ring spanner: 17 mm / 19 mm
- socket wrench: 17 mm
- Allen key: 5 mm
- Phillips-tip screwdriver
- slotted screwdriver
- spirit level
- knife (cutter)
- handsaw
- silicone press

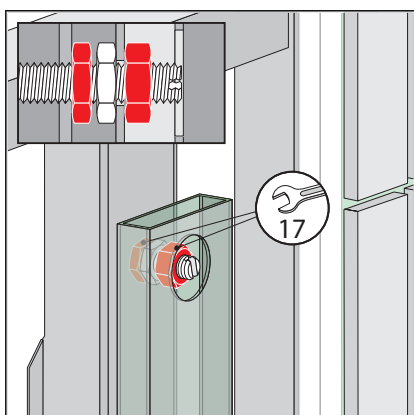
## 3.2 Assembly

### 3.2.1 Preparing mounting

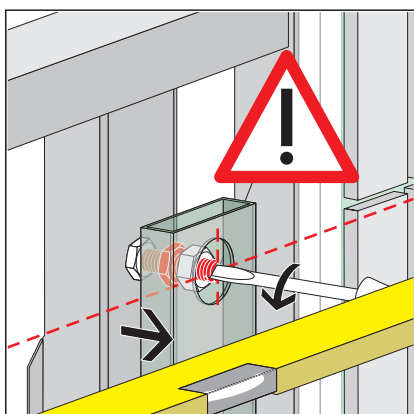


- Firstly, mount the locating surface for the cover plate flush with the finished wall surface.

The proceed as follows:

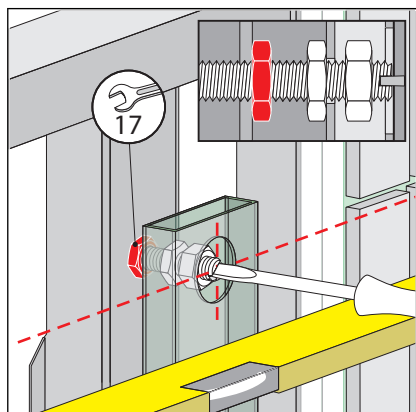


- Loosen the four threaded nuts on the element (SS (Spanner Size) 17).
- Loosen the four front threaded nuts on the sides of the H-beam (socket wrench size 17).

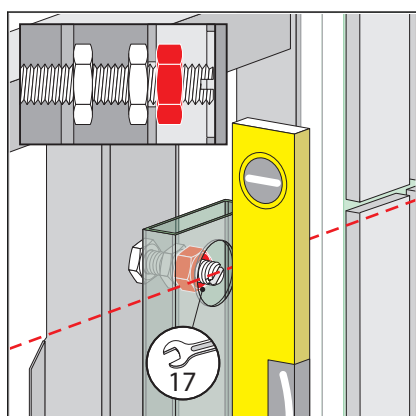


- Align all four points flush with the finished wall surface by screwing in and unscrewing the threaded screws.
- Check with spirit level.

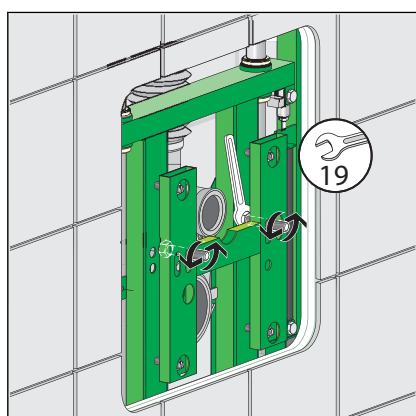




- Tighten the rear nuts at all four points (SS (Spanner Size) 17), in the process, secure the threaded rods with a slotted screwdriver.

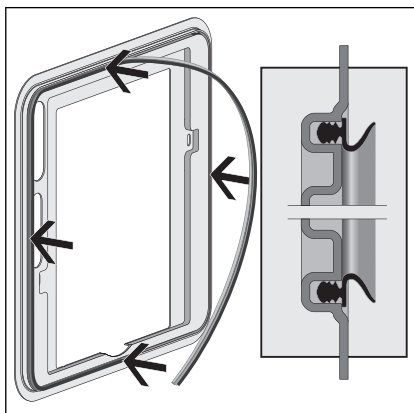


- Tighten the front threaded nuts at all four points (SS (Spanner Size) 17).
- Check to ensure they are flush.

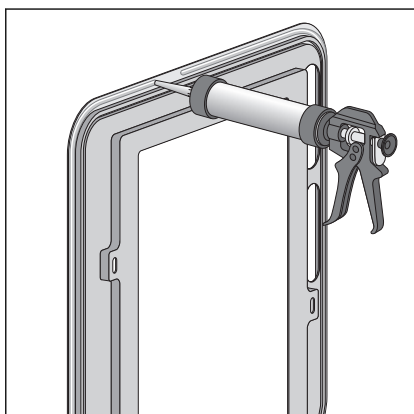


- Unscrew the threaded rods for the fixing of the WC element to the required size and counter with threaded nuts (SS (Spanner Size) 19).

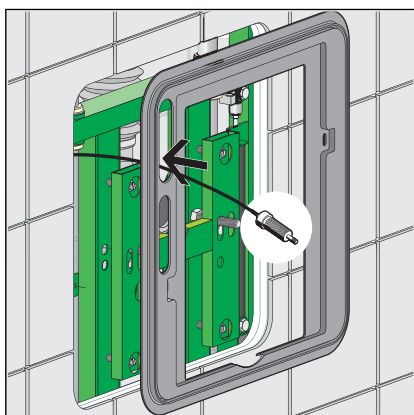
### 3.2.2 Mounting cover plate



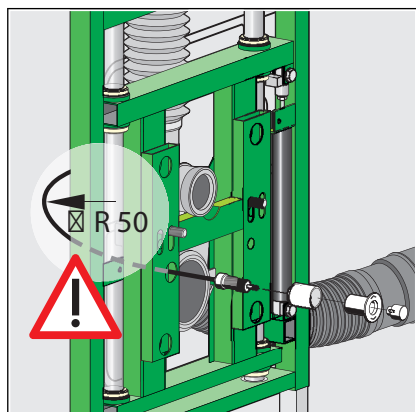
- Fit the supplied seal in the cover frame on the front.



- Apply silicone to the rear side of the cover frame.

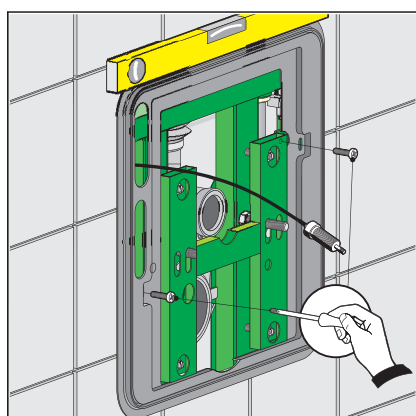


- Lead the actuation unit through the cover frame towards the front.

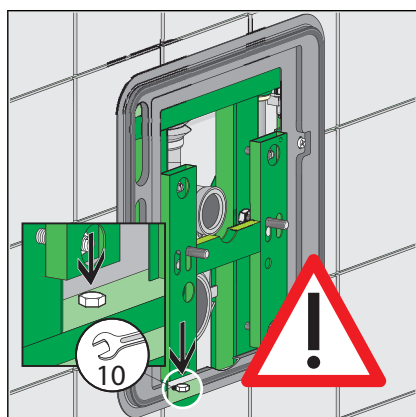


**NOTICE! Malfunction through breaking** In the case of a radius less than 50 mm, there is a risk of breakage and a malfunction of the actuation.

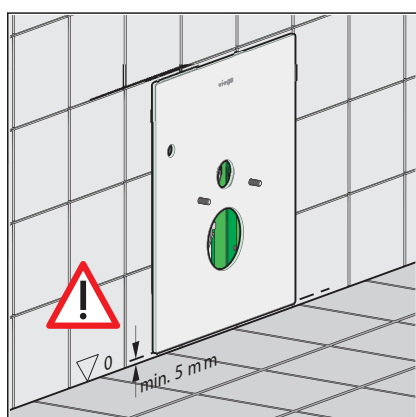
- Observe the minimum radius of 50 mm for hydraulic actuation.



- Align cover plate and attach onto the WC element with the Phillips-head screws supplied.

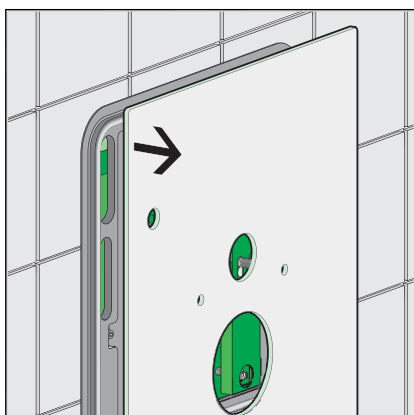


- Remove transport lock (SW 10).

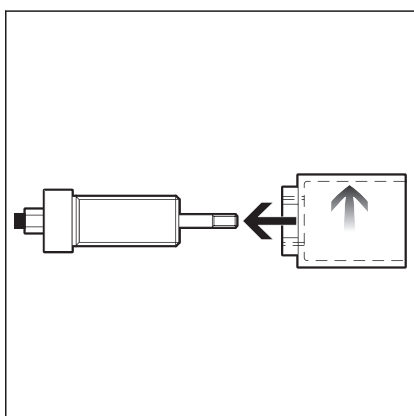


- Mount cover plate.
- Observe the minimum interval of 5 mm between lower edge of cover plate and upper edge of the finished floor.
- If below 5 mm restrict the lift of the WC ceramic (see instructions for use of the gas pressure spring model 8174).

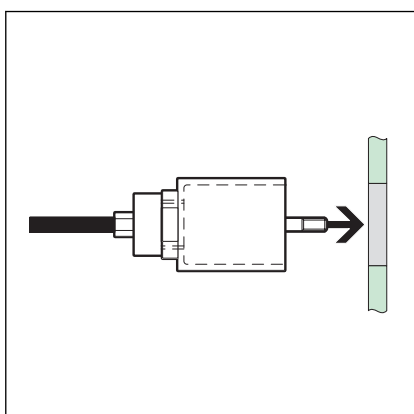
### 3.2.3 Mounting actuating button



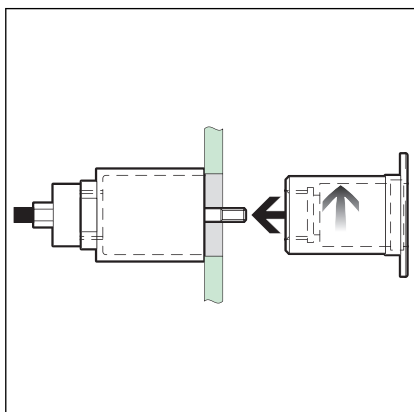
- Remove cover plate.  
Protect with packaging corners.



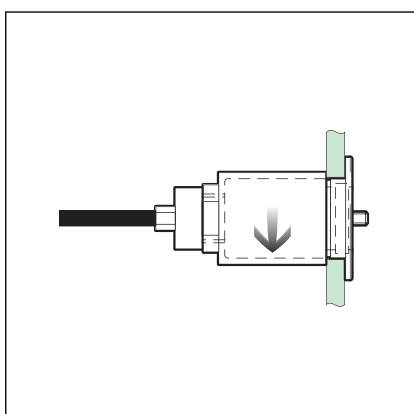
- Screw the sleeve onto the hydraulic cylinder as far as it will go.



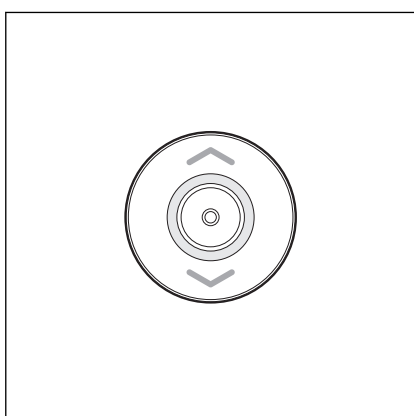
- Insert the hydraulic cylinder from the rear through the opening in the cover plate.



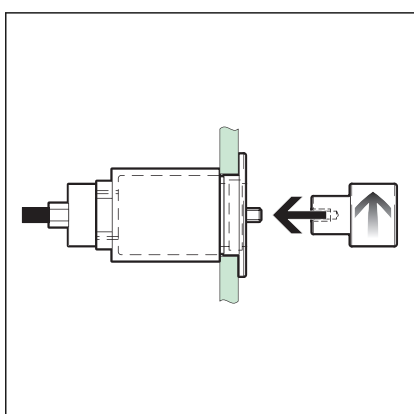
- Screw the rosette through the cover plate from the front onto the hydraulic cylinder.



- Counter screw the sleeve from the rear side.

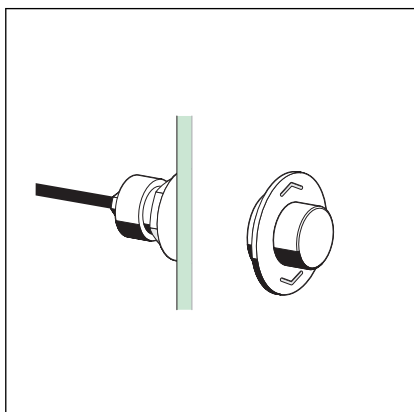


- Align the rosette with the help of the arrow symbols.

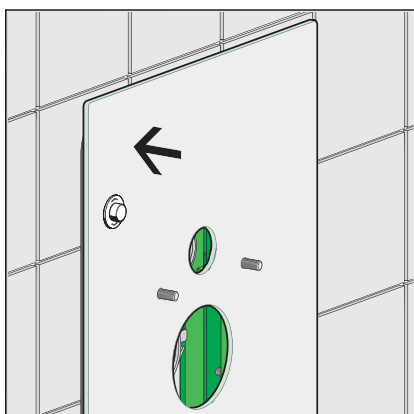


- Screw the actuating button hand-tight onto the hydraulic cylinder from the front.

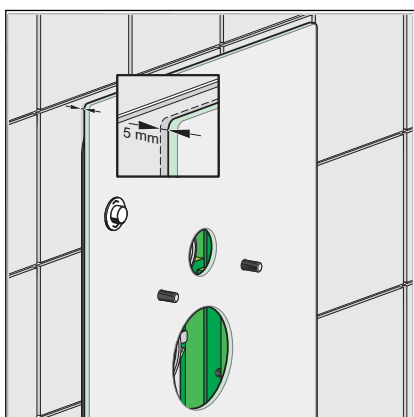
**INFO! Do not use glue or the like to secure the button.**



⇒ The actuating button has been mounted.



► Place the cover plate on the element.



**INFO! The function of the WC height adjustment is not correct when the clearance is insufficient.**

► Check clearance between wall and cover plate (min. 5 mm).

### 3.2.4 Mounting WC ceramic

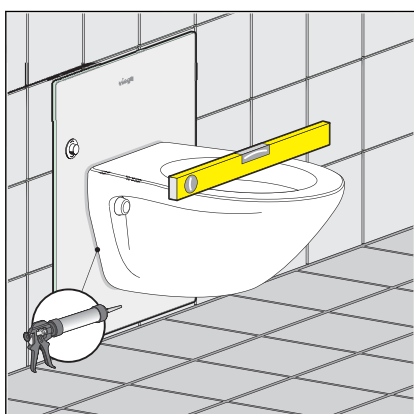


- Adapt the length of the flushing and drain pipe.



**NOTICE! Do not use the cover plate as a support!**

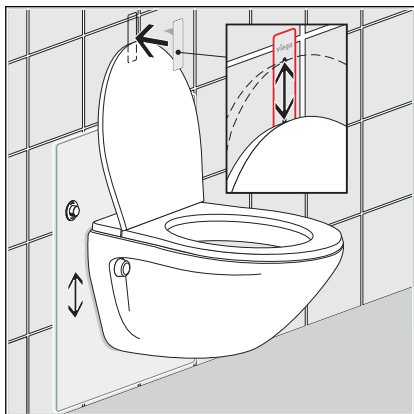
- Cut the sound insulation panel to size.



- Install the WC ceramic and sound insulation panel.
- Align and fix the WC ceramic.
- Seal the gap between WC ceramic and cover plate with silicone.

### 3.2.5 Attach protective sticker

Depending on the version of the WC lid, it may be that there is contact with the wall during the height adjustment of the WC. Attaching the protective sticker prevents damage to the surface in the possible contact area on the wall and on the WC lid.



- Determine possible area of contact between the wall and the WC lid on the wall.
- Clean possible contact area on the wall.
- Remove the protective foil from the protective sticker and attach in the possible contact area.



*The protective sticker should remain on the wall to protect the wall and the WC lid from damage to the surface in the case of further height adjustments.*

### 3.3 Disposal

Separate the product and packaging materials (e. g. paper, metal, plastic or non-ferrous metals) and dispose of in accordance with valid national legal requirements.