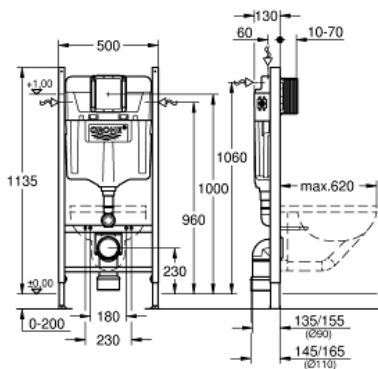


RAPID SL PROJECT
Element for WC, 1.13 m
installation height

MODEL # 38840000

Pure Freude
an Wasser

GROHE



Product Description:

RAPID SL PROJECT

Element for WC, 1.13 m installation height

Standard Specification:

with flushing cistern GD 2

for on-the-wall installations or studded walls
powder coated steel frame, self-supporting
for dry-cladding
with fixed connections
quick adjustment, lockable
fixing material
2 WC fixing bolts
fixing device for ceramic
distance of fixing bolts 180/230 mm
outlet bend \varnothing 90 mm
depth adjustable
reducer \varnothing 90/110 mm
inlet and outlet connecting set

flushing cistern GD 2, 6 - 9 l, containing following features:

adjustment ex factory 6 l and 3 l
pneumatic discharge valve offering 3 modes of operation: dual flush or start/stop or single flush
water supply from left/right/back or top
low noise (group I acc. to German Noise Specification)
insulated against condensation
1/2" water supply connection including integrated angle valve and push fit flexible hose union
no tools required for the installation of the inspection shaft including protection during construction phase
for vertical or horizontal use

for on-the-wall installation please order wall brackets 38 558 00M (sold separately)

for mounting of small flush plates please order revision shaft 40 911 000 (sold separately)

Color:

□ 38840000

