

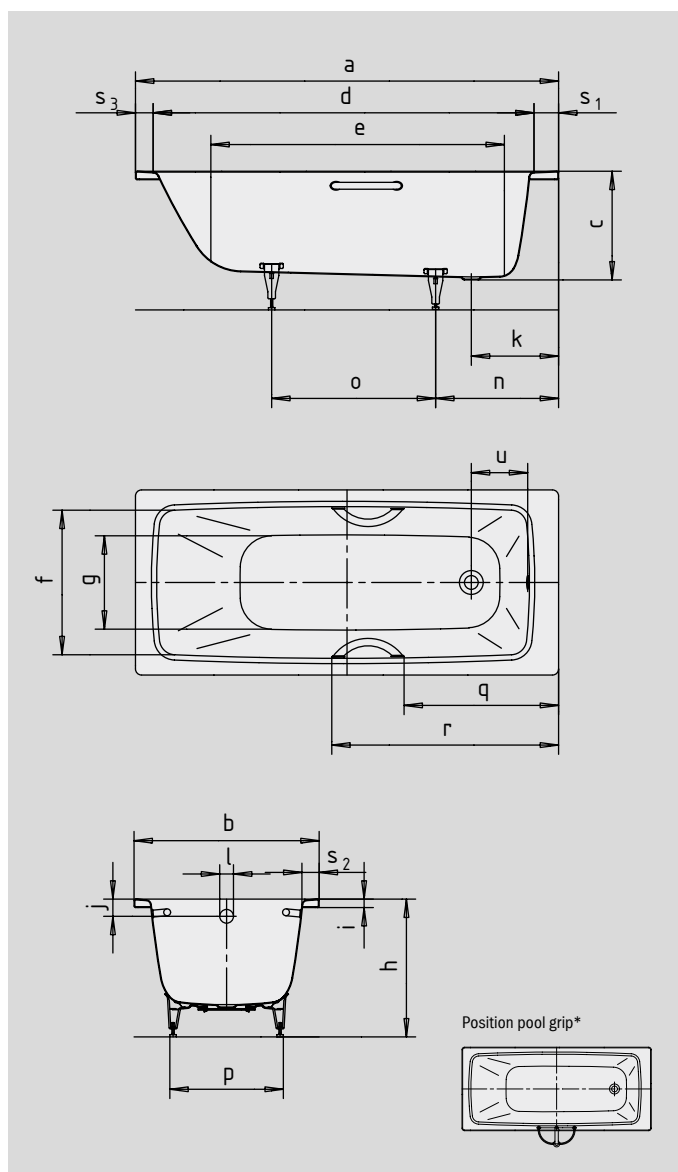
CAYONO

CAYONO STAR

- one-seater bath with waste at foot end
- modern rectangular bathtub with spacious interior of the tub
- made of KALDEWEI steel enamel
- also available with grips
- independent Anti-slip design
- model available with 2 standard tap holes without extra charge (180 mm centres)



Similar illustration



Model No.		747/753	748/754	749/755	750/756	751/757
External length	a	1500	1600	1700	1700	1800 mm
External width	b	700	700	700	750	800 mm
Depth	c	410	410	410	410	410 mm
Internal length (top)	d	1310	1410	1510	1510	1610 mm
Internal length (bottom)	e	1010	1110	1210	1210	1310 mm
Internal width (top)	f	570	570	570	610	660 mm
Internal width (bottom)	g	400	400	400	450	510 mm
Height with feet	h	535-555	543-563	537-559	538-553	528-543 mm
Height of rim	i	32	32	32	32	32 mm
Distance top edge to centre of overflow hole	j	65	65	65	65	65 mm
Distance bath edge to centre of drain hole	k	330	330	330	330	330 mm
Diameter of overflow hole	l	52	52	52	52	52 mm
Diameter of drain hole	m	52	52	52	52	52 mm
Distance foot end of bath edge to centre of foot	n	450	450	455	450	450 mm
Distance between the feet	o	560	655	742	745	820 mm
Max. width of feet	p	435	430	440	475	560 mm
Distance bath edge (foot end) to where grip/handle starts	q	534,5	584,5	634,5	634,5	684,5 mm
Distance bath edge (foot end) to where grip/handle ends	r	808,5	858,5	908,5	908,5	958,5 mm
Width of rim (foot end; lengthwise)	s ₁ ; s ₂ ; s ₃	110; 63; 80	110; 63; 80	110; 63; 80	110; 63; 80	110; 63; 80 mm
Distance between centre holes	u	213	213	213	213	213 mm
Water volume** in litres		89	107	110	136	171
Weight of the enamelled bath in kg		42	45	50	50	56
Anti-slip		455 x 315	455 x 315	455 x 315	575 x 375	575 x 375 mm
Full anti-slip		655 x 315	735 x 315	855 x 315	855 x 375	935 x 375 mm

Subject to technical alterations, tolerances and errors. Similar illustration.
 ** 70 litres displacement on average.

KALDEWEI