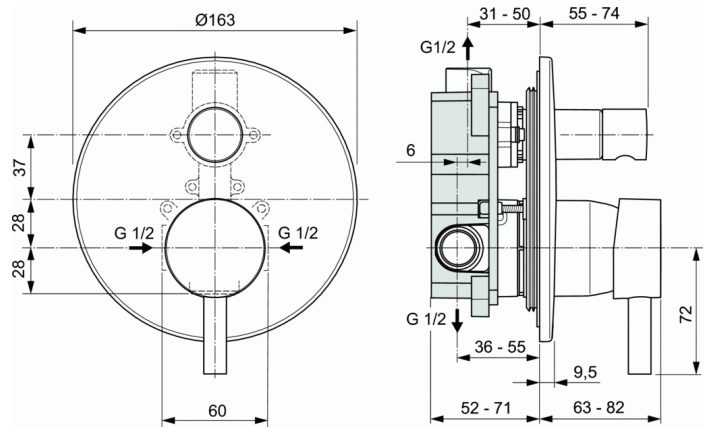


# CERALINE

## Built-in bath & shower mixer



### Built-in bath & shower mixer

Kit 1+Kit 2 version (complete set)

47 mm Click cartridge

Automatic diverter

Metal handle with red and blue colour indication

Chrome plated plastic escutcheon

Comply with EN817

### FINISHES\*



\* AA = Chrome, XG = Silk Black (Matt Black)

### KEY FEATURES & BENEFITS

