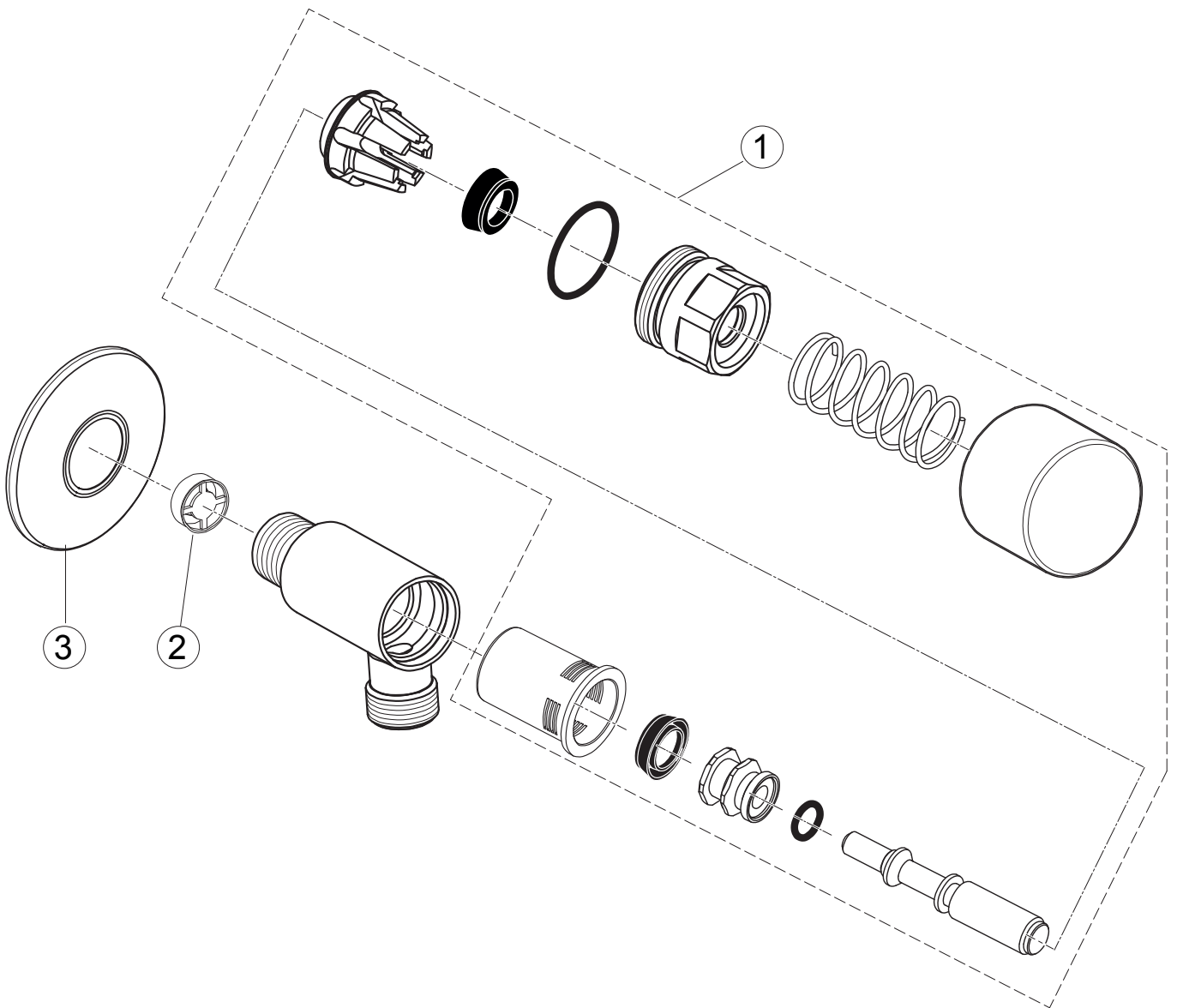
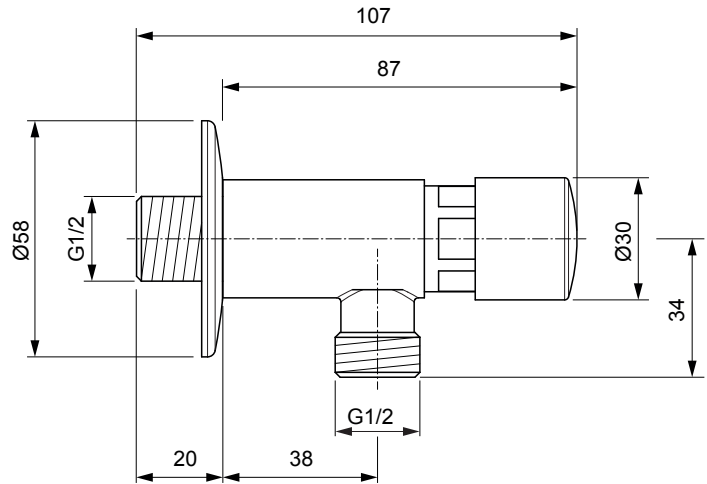


Produced since: **Nov. 2019**

Self closing fitting Urinal Wall Mounted



Pos.	Description	Part-Number	Qty.	Pos.	Description	Part-Number	Qty.
1	Self closing cartridge Urinal	A 861 469 AA	1 Set				
2	Flow limiter 9 l/min	A 861 468 NU	1 pcs				
3	Escutcheon G1/2	A 861 462 AA	1 pcs				