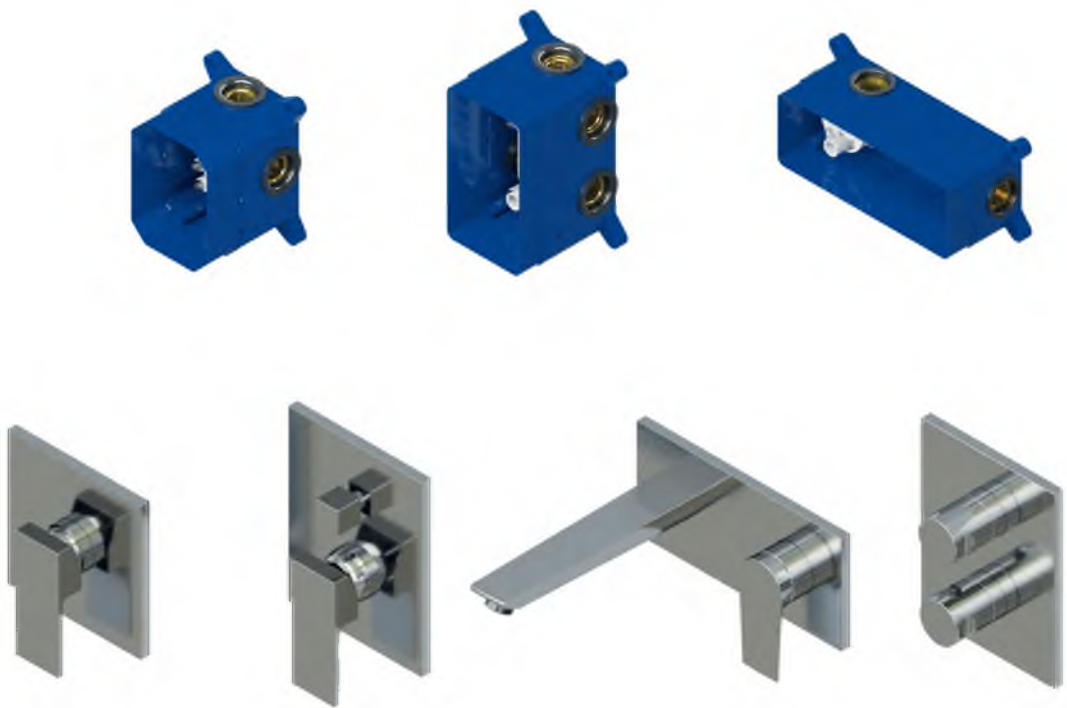


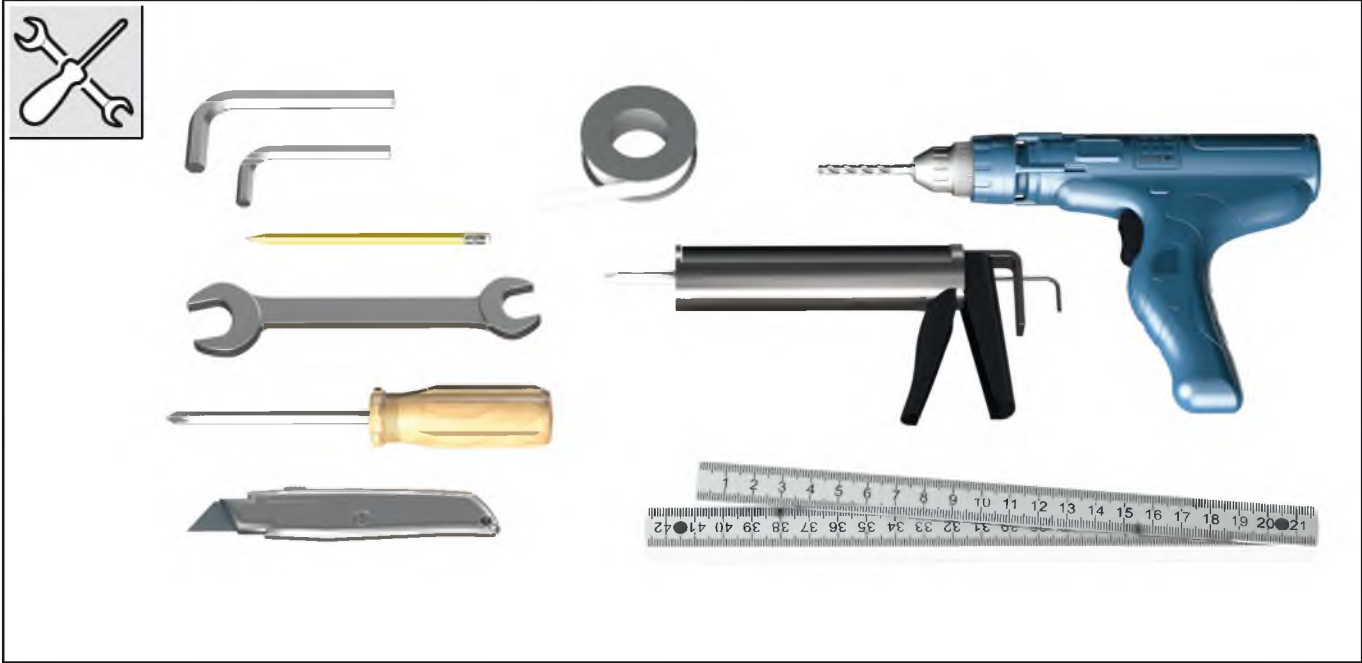
Concealed Mixer

General
Instruction
Villeroy & Boch



- | | | | |
|---------------------------------------|---------------------------------|---------------------------------|----------------------------------|
| DE Montageanleitung | AR دليل التركيب | HU Szerelési útmutató | PT Instruções de montagem |
| ENL Installation instructions | BG Ръководство за монтаж | ID Petunjuk pemasangan | RO Manual de montaj |
| ES Instrucciones de montaje | CS Návod k montáži | JA 取付説明書 | SK Návod na montáž |
| FR Instructions de montage | DA Monteringsvejledning | KO 설치 가이드 | SL Navodila za montažo |
| IT Istruzioni per il montaggio | EE Paigaldusjuhend | LT Montavimo instrukcija | SV Monteringsanvisning |
| NL Montagehandleiding | EL Οδηγίες τοποθέτησης | LV Montažas instrukcija | TH คู่มือการติดตั้ง |
| RU Инструкция по монтажу | FI Asennusohje | NO Monteringsanvisning | TR Montaj kılavuzu |
| ZH 安装说明 | HR Uputa za montažu | PL Instrukcja montażu | UK Інструкція з монтажу |



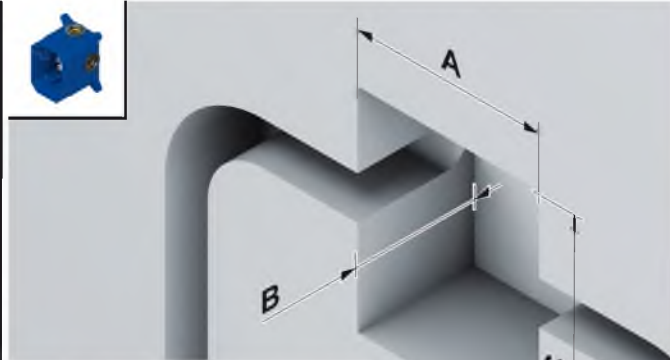


i

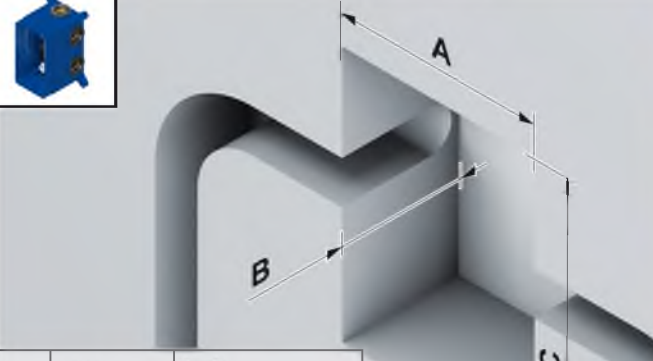
< 1000 kPa (10 bar)

< 80 °C
< 176 °F

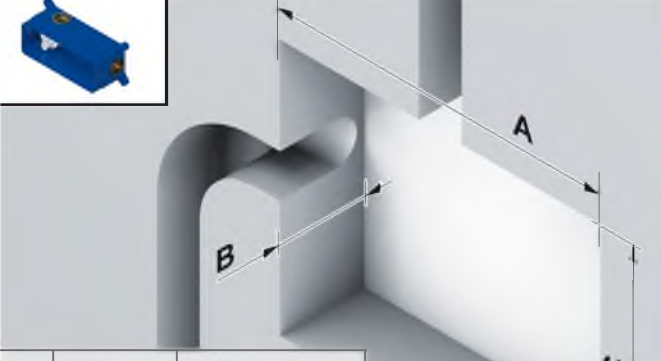
~ 10 °C
~ 50 °F



	mm	inch
A	170	6 ¹¹ / ₁₆
B	75 - 101	2 ⁶¹ / ₆₄ - 3 ³¹ / ₃₂
C	200	7 ⁷ / ₈

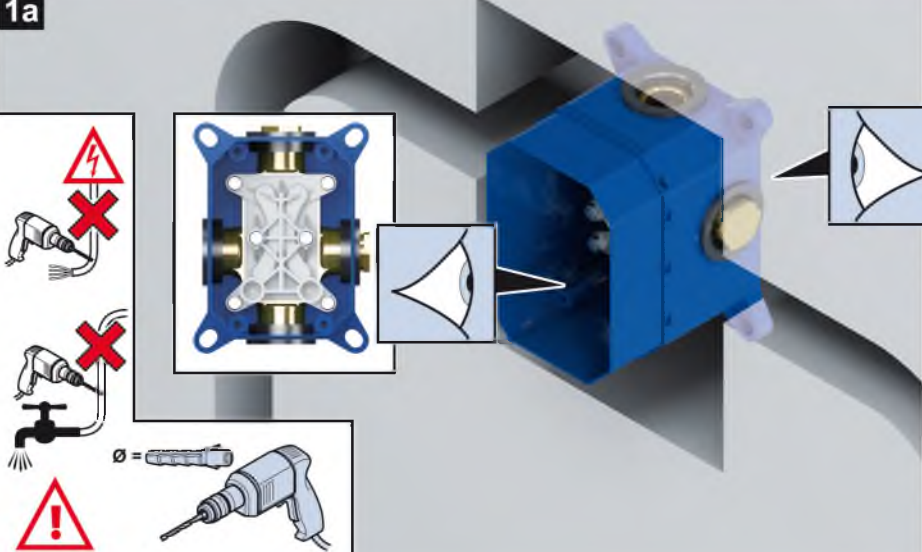


	mm	inch
A	180	7 ³ / ₃₂
B	84 - 106	3 ⁵ / ₁₆ - 4 ¹¹ / ₆₄
C	240	9 ²⁹ / ₆₄





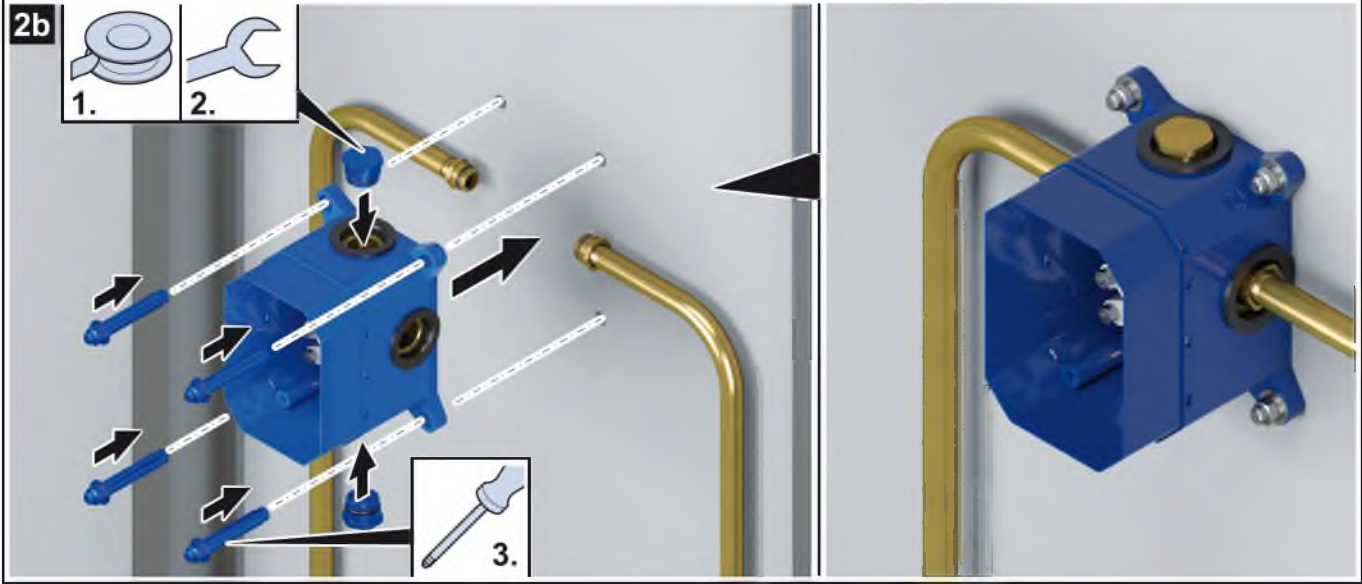
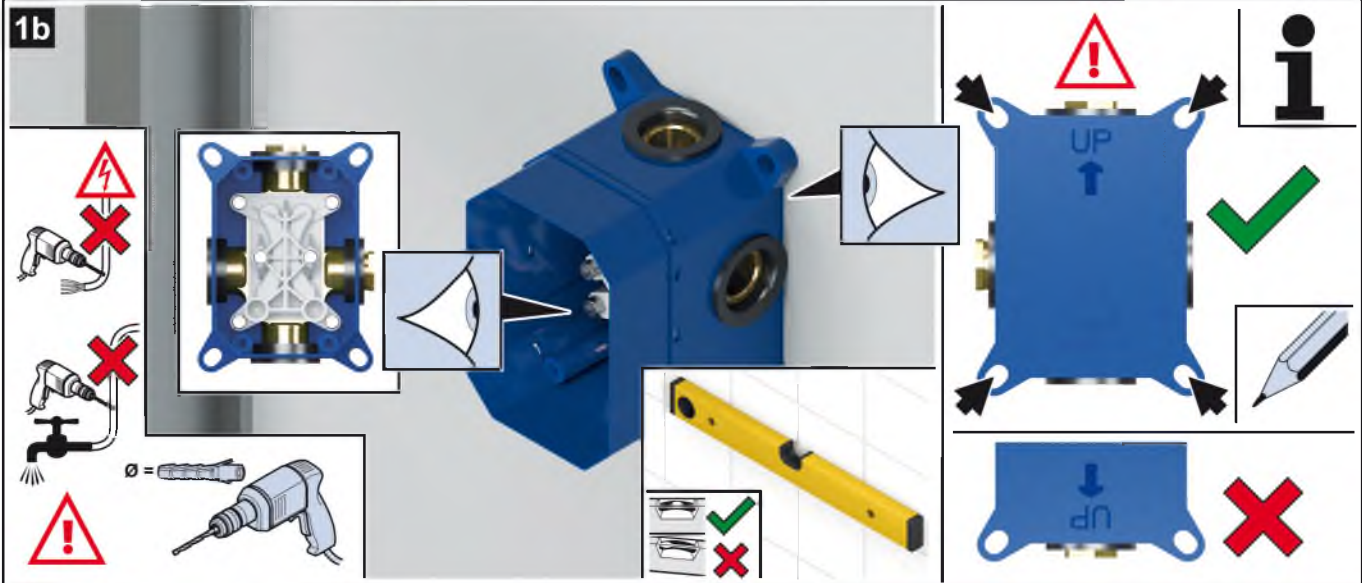
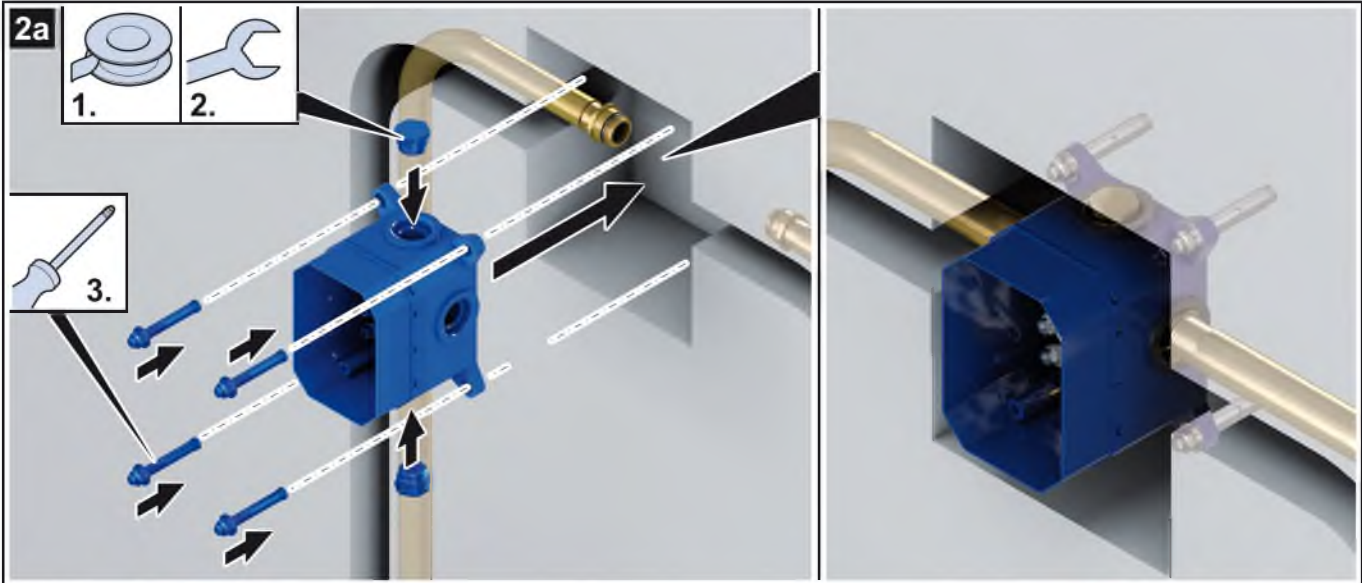
	mm	inch
A	300	11 ¹³ / ₁₆
B	65 - 80	2 ⁹ / ₁₆ - 3 ⁵ / ₃₂
C	170	6 ¹¹ / ₁₆

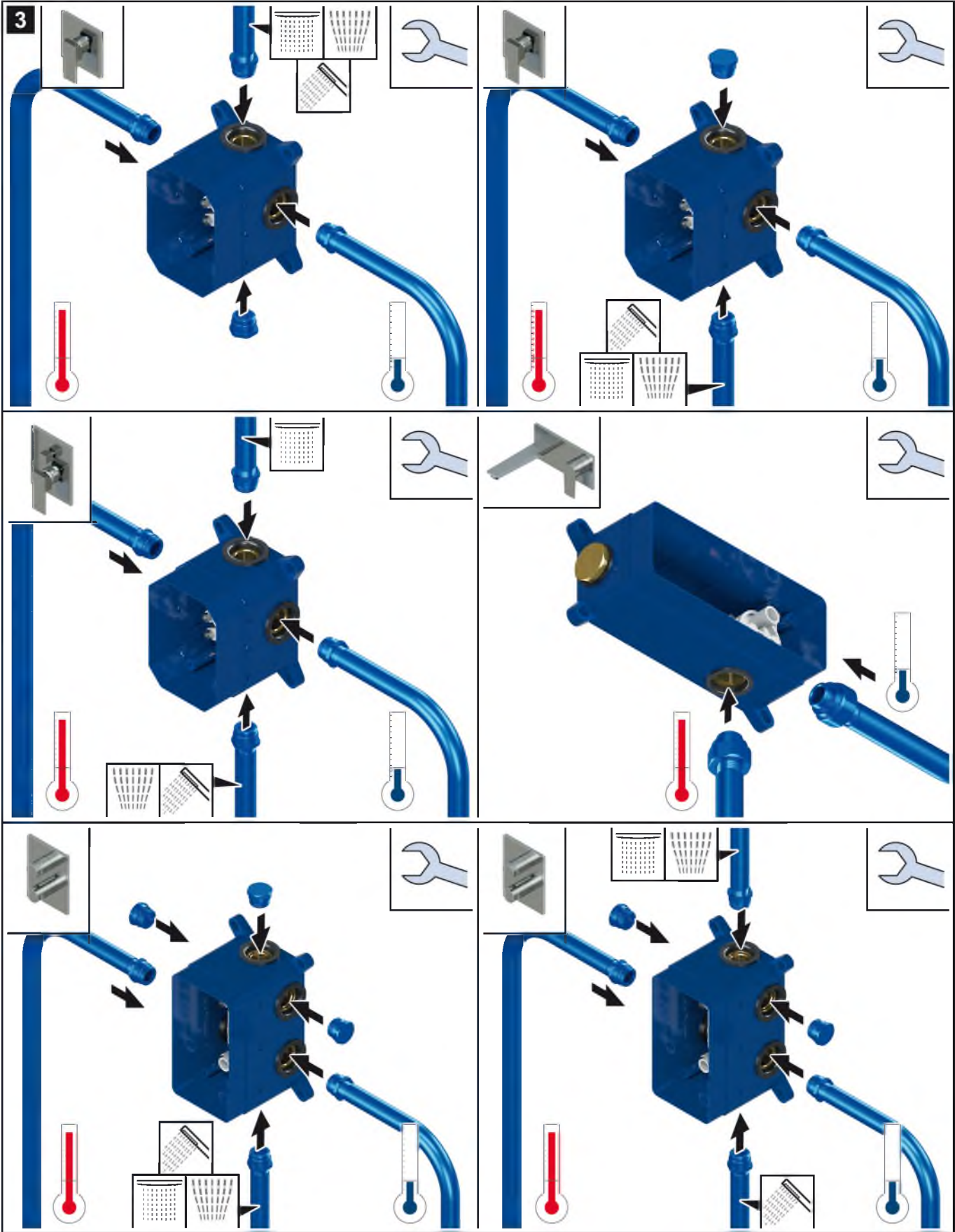
1a

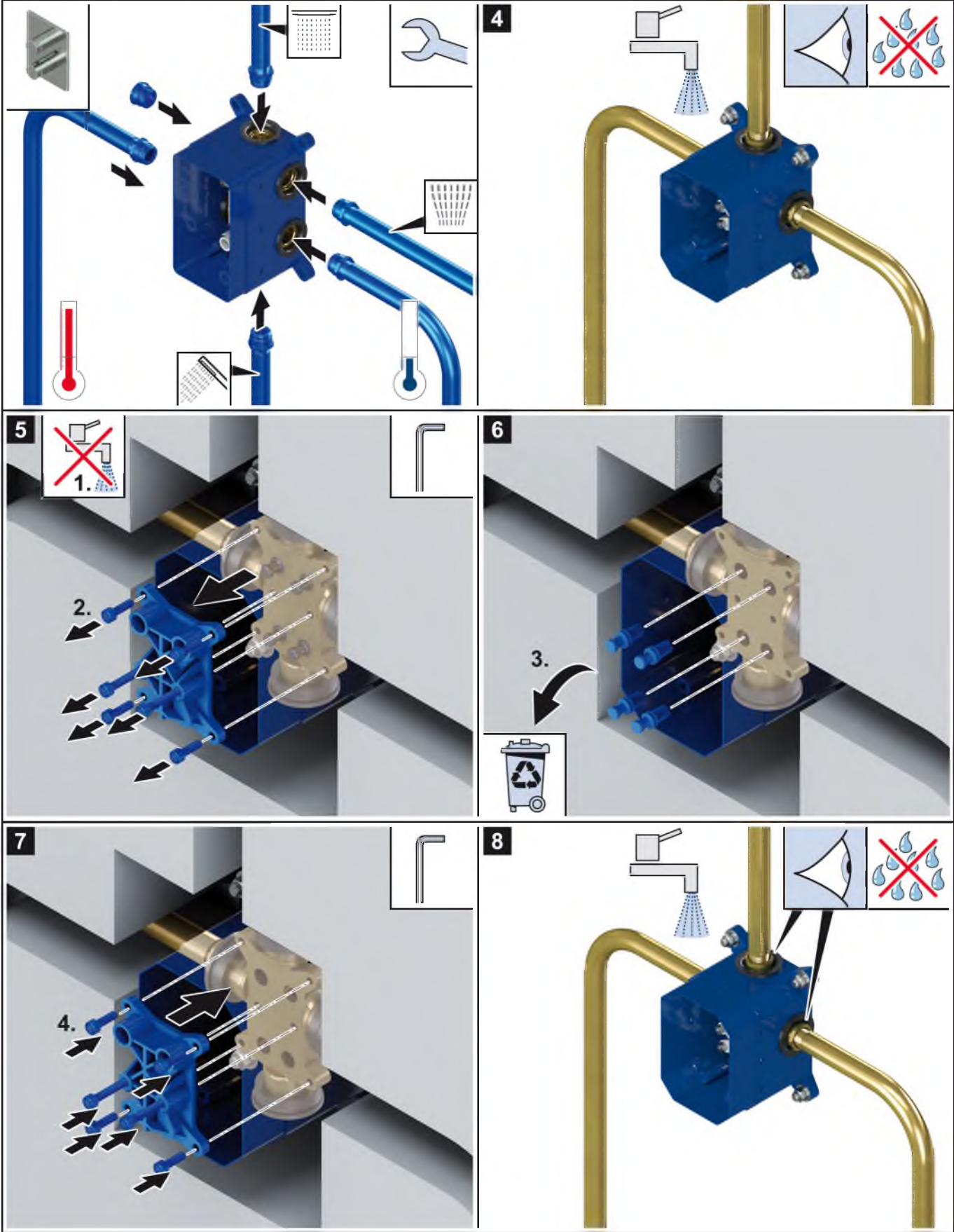


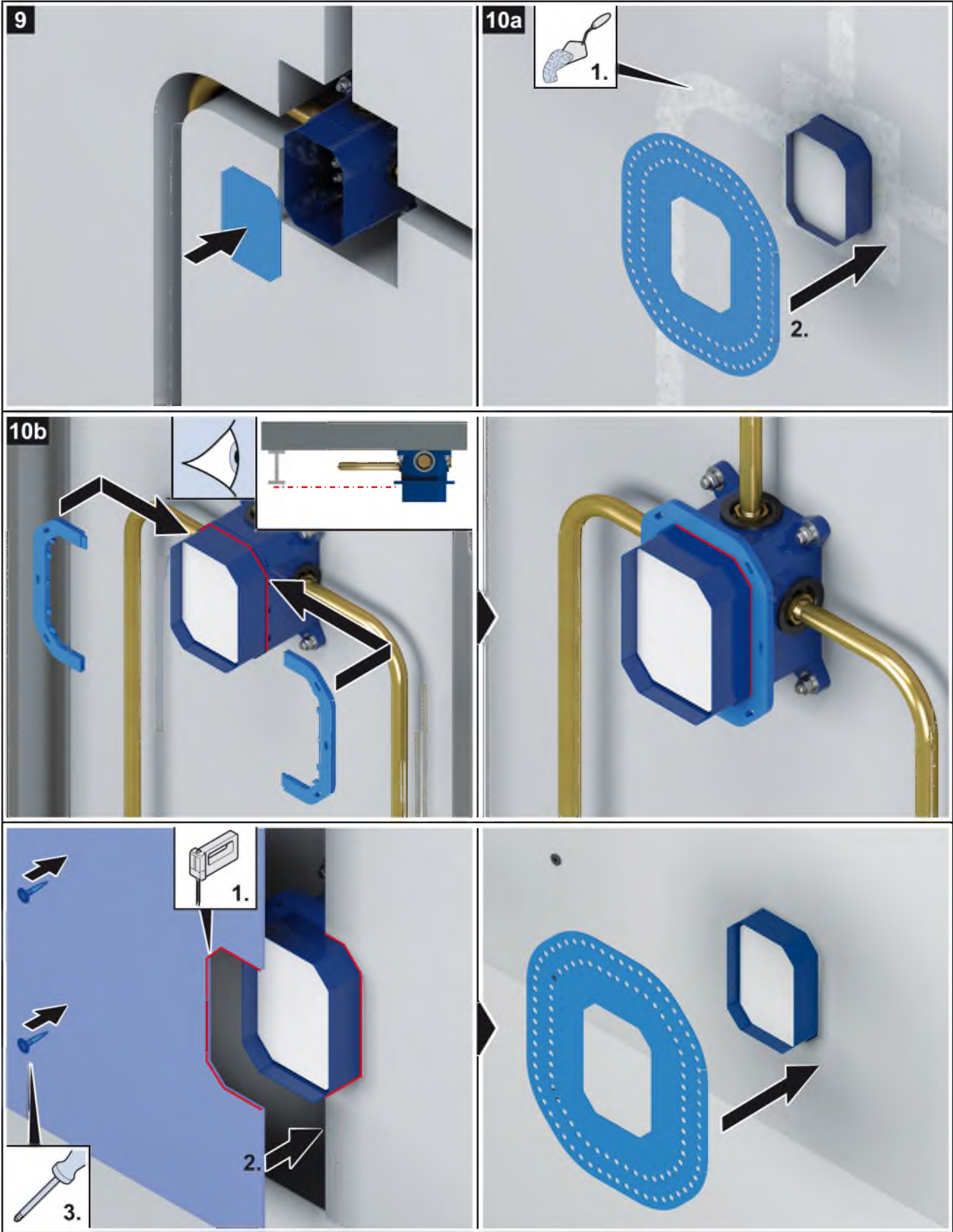
i

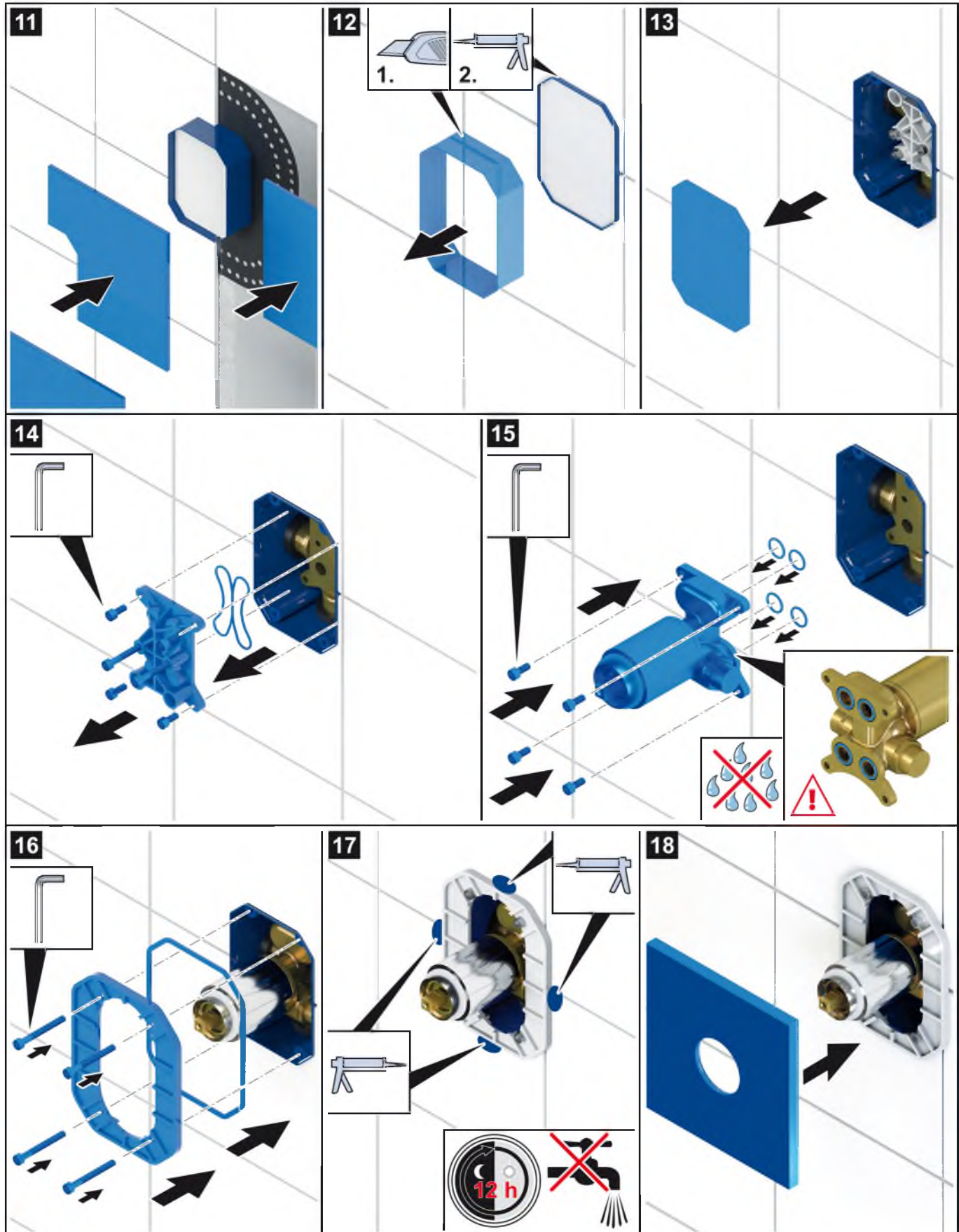





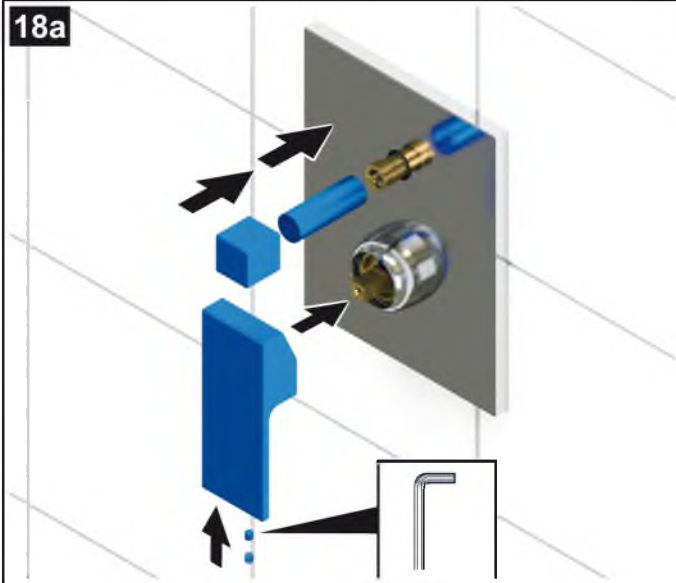




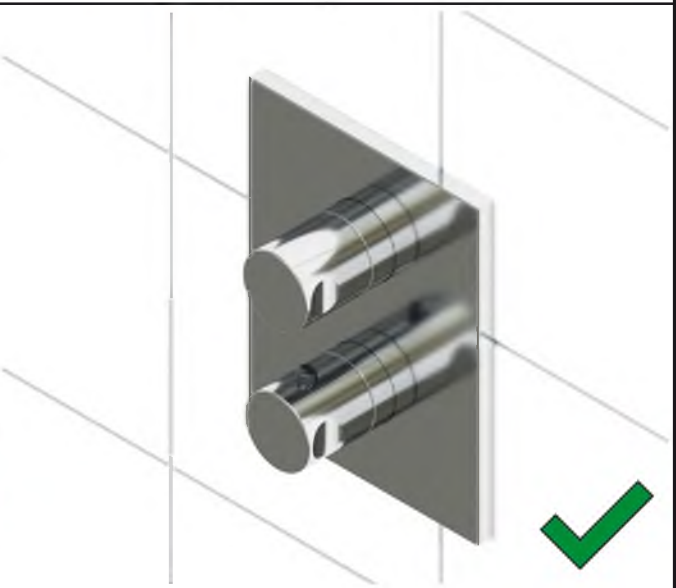
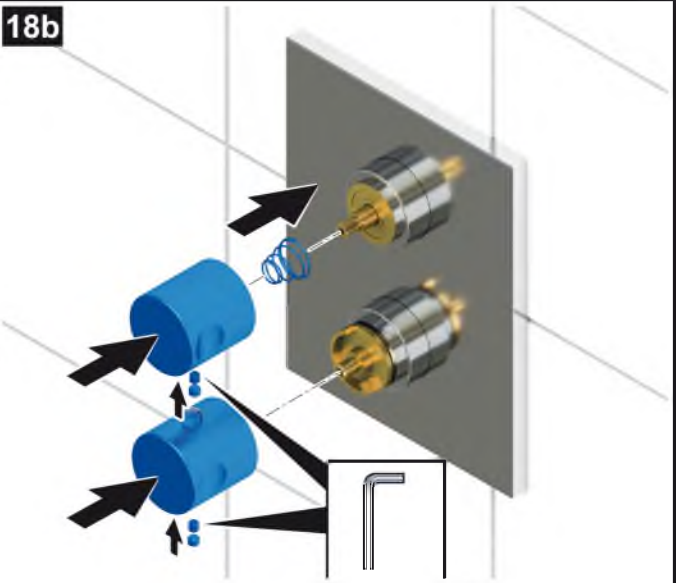


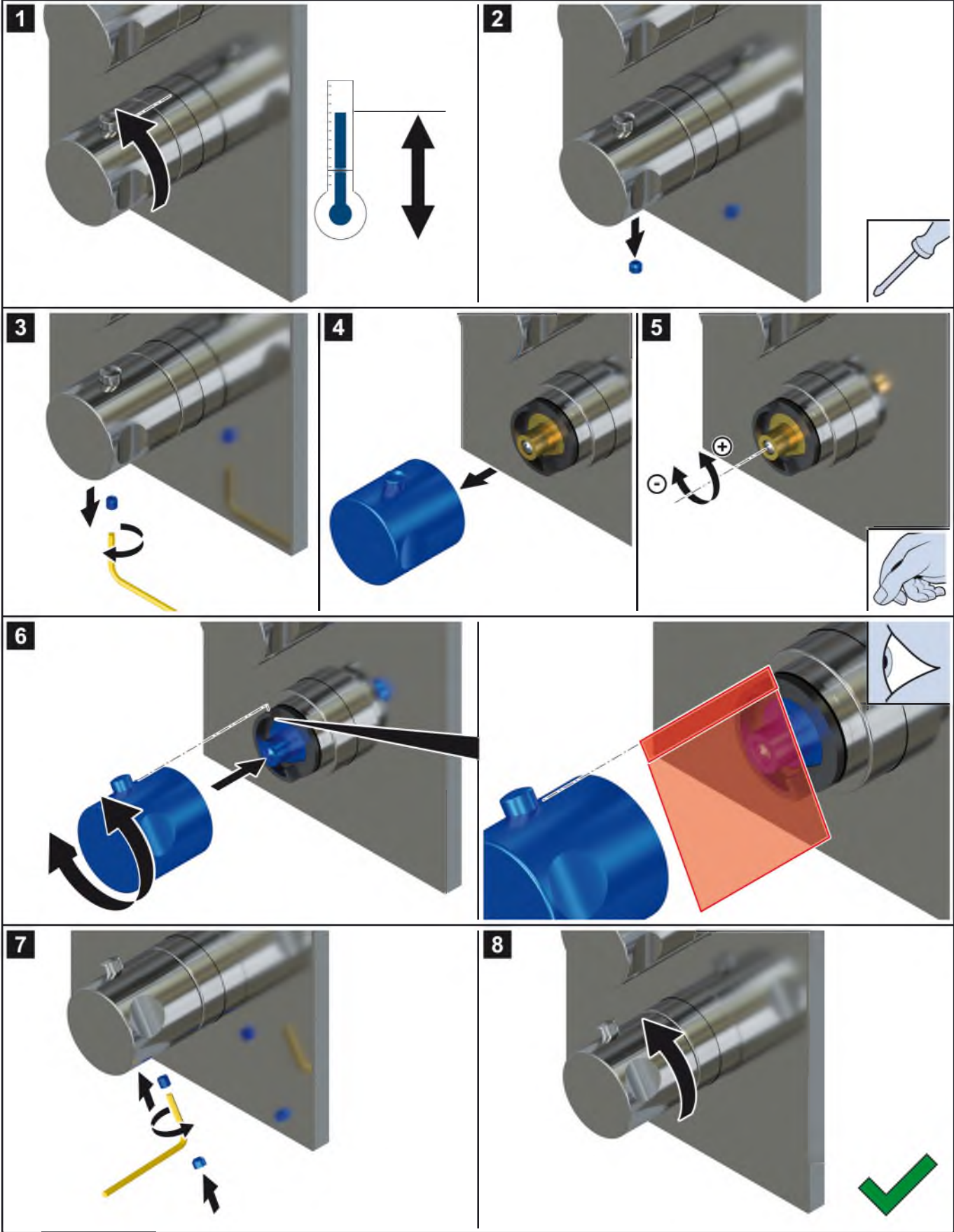


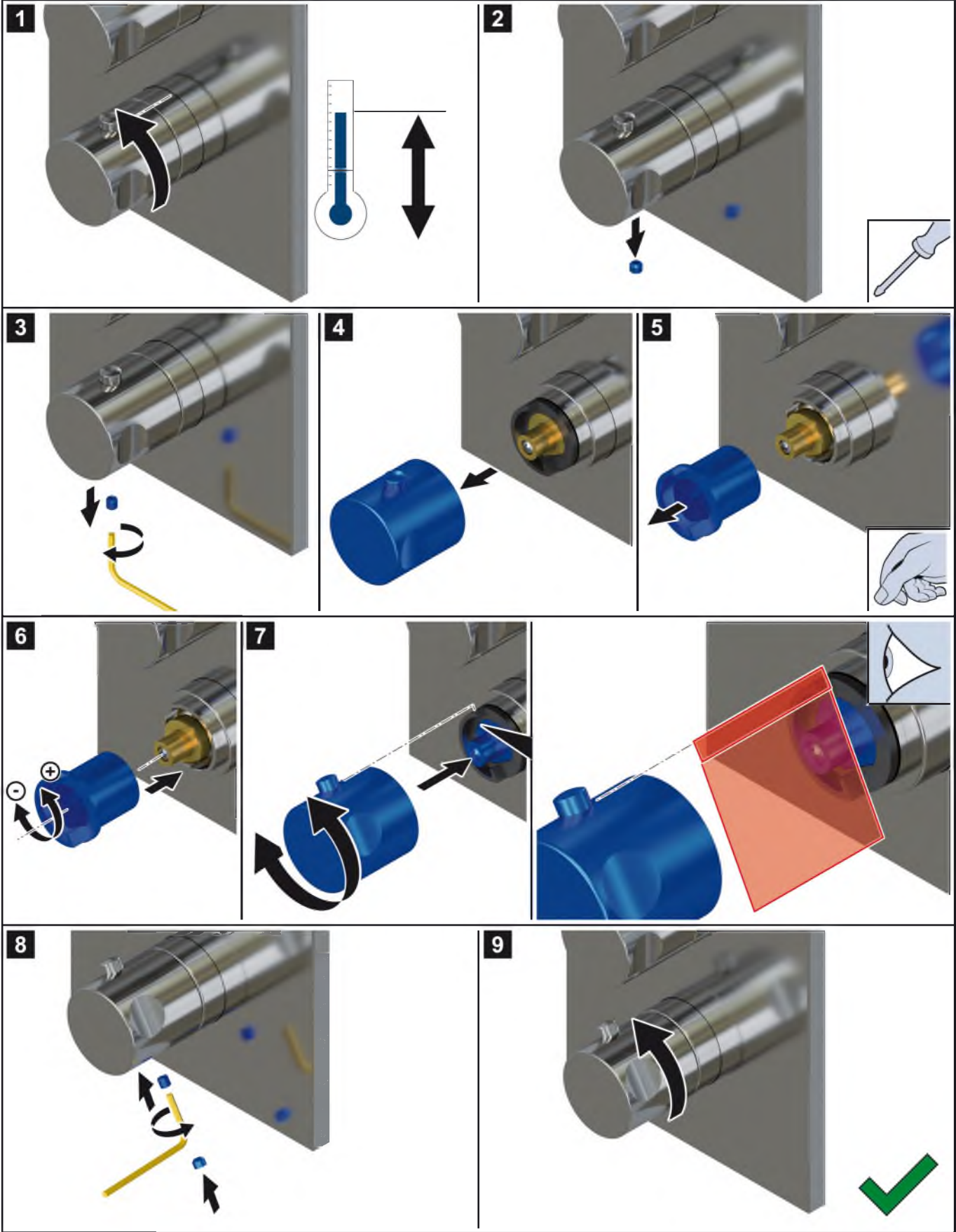
18a

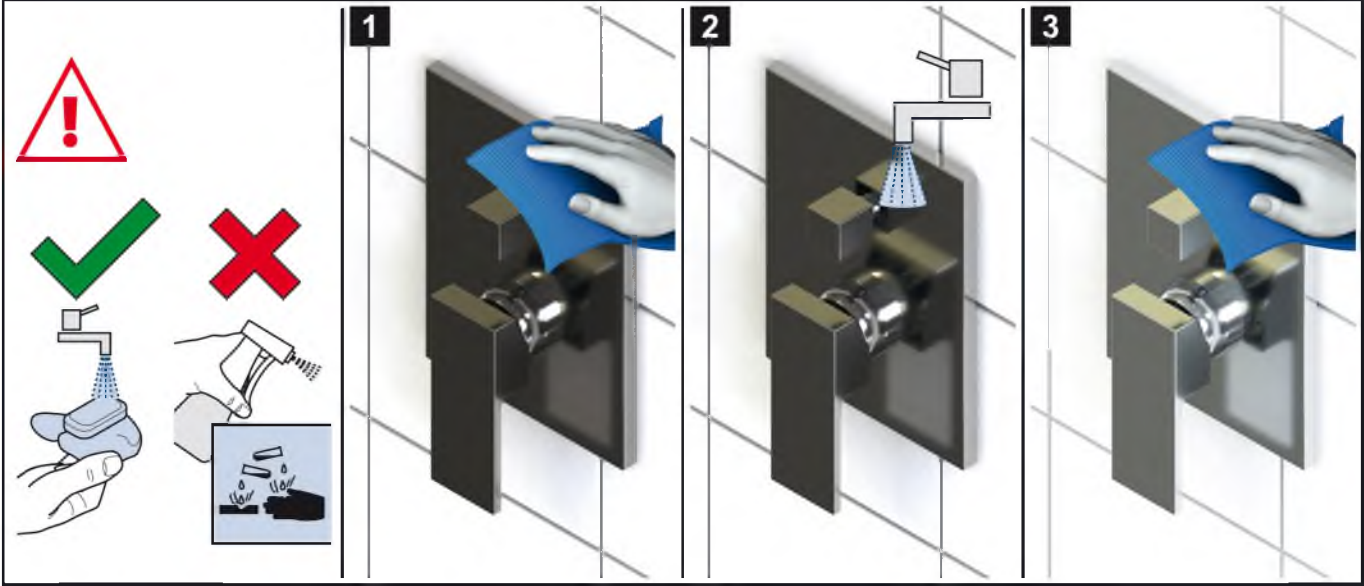


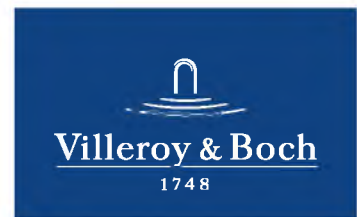
18b











VILLEROY & BOCH

GERMANY

*Villeroy & Boch AG
Bathroom and Wellness Division
Headquarters
66693 Mettlach
Germany*

*Tel: +49 (0) 68 64 / 81 0
Fax: +49 (0) 68 64 / 81 1484*

921102D7 // 2019

Shades and dimensions subject to the usual tolerances. We reserve the right to make technical modifications to the range and alter colours.

VILLEROY-BOCH.COM