

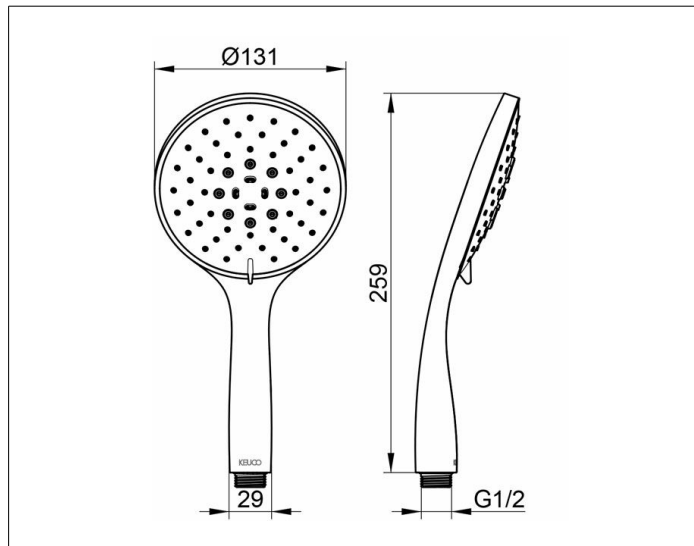
**Edition 400**

**51580010300 Hand shower**

**PRODUCT**



**DRAWING**



**PRODUCT ATTRIBUTES**

with anti limescale device  
 triple spray function: normal, soft, massage  
 with ECO AIR function  
 flow rate 10 l/min.  
 also suitable for combination boilers

**SURFACE**

chrome-plated

**SPECIFICATIONS**

KEUCO Edition 400 Hand shower, 51580010300  
 chrome-plated hand shower,  
 flow rate 10 l/min.,  
 triple spray function:  
 normal, soft, massage,  
 with anti limescale device and ECO AIR function,  
 also suitable for combination boilers