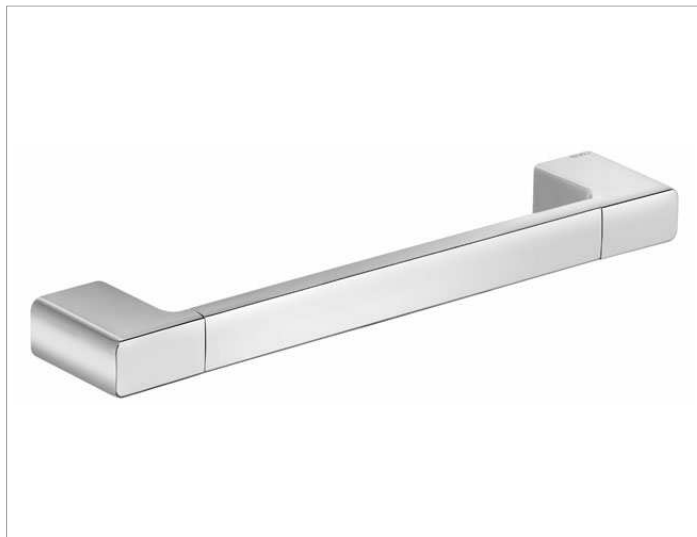


Collection Moll

12707010000 Поручень

ИЗДЕЛИЕ



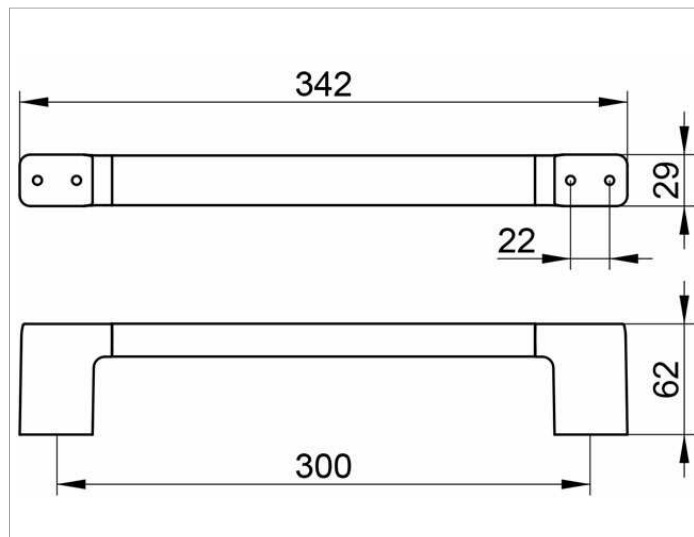
поверхность

хром

Габариты

300 mm

ЧЕРТЕЖ



спецификации

KEUCO COLLECTION MOLL grab rail 12707010000

Chrome-plated grab rail, in an esthetic design with slightly rounded edges,

Load bearing up to 253 lb, anti-static, easy to clean

Centre to centre 11-13/16" with overall width of 13-1/2"

Depth 2-7/16"

The grab rail is fitted with 4 hidden fixing points,
incl. corrosion-free mounting material