

## Plan

14980010037 Складное сиденье

## ИЗДЕЛИЕ



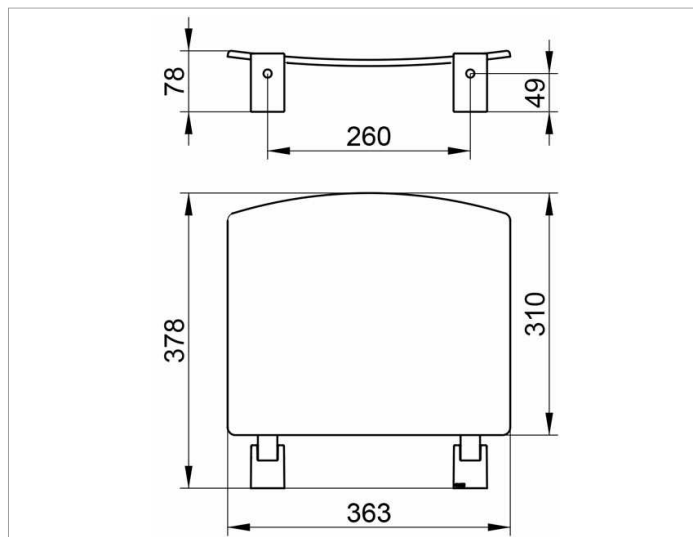
## ОПИСАНИЕ ИЗДЕЛИЯ

для настенного монтажа, сиденье откидывается вверх

## поверхность

хром/темно-серый (RAL 7021)

## ЧЕРТЕЖ



## спецификации

KEUCO PLAN Tip-up seat  
 14980010037  
 dark-grey (RAL 7021) Fold-up seat  
 made from Polypropylene  
 in esthetic, practical Design,  
 for wall mounting for secure seating in the shower  
 Wall support and seat support  
 as Design Feature high shine chrome-plated  
 anti-static,  
 easy Cleaning  
 upward foldable seat  
 load capacity up to 110 kg  
 Width 363 mm,  
 seat area 310 mm  
 Distance between boreholes 260 mm,  
 Extendable 378 mm  
 The seat will be mounted on 2 discrete brackets  
 and is TUEV-GS tested  
 The Mounting material is to be ordered separately!

It is essential for installation to order the correct screws/bolts depending on type of wall,  
 please see below

1 x Mounting-Set 3 (Catalogue-no. 34992000100) or  
 1 x Mounting-Set 6 (Catalogue-no. 34992000200) or  
 1 x Mounting-Set 9 (Catalogue-no. 34995000200) or  
 1 x Mounting-Set 11 (Catalogue-no. 34997000100)