

Novus

Single lever shower mixer for exposed installation with extra long handle

Surfaces: **Chrome** Article Number: **71926000**



Description

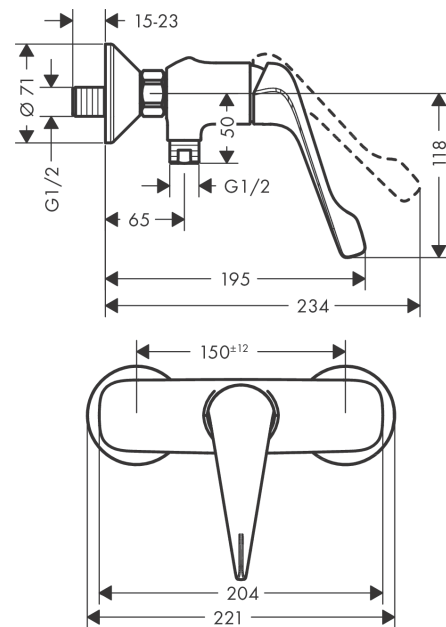
product features

- larger print for greater clarity
- with extra long barrier-free handle
- 1 function
- connection type: s-shaped connections
- centre distance: 150 ± 12 mm
- ceramic cartridge
- temperature limitation adjustable
- non-return valve
- with silencer
- hose connection DN15
- connection dimension: DN15

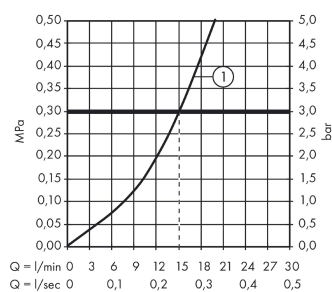
Product image



Scale drawing



Flowchart



Shower outlet with 1B-resistance