

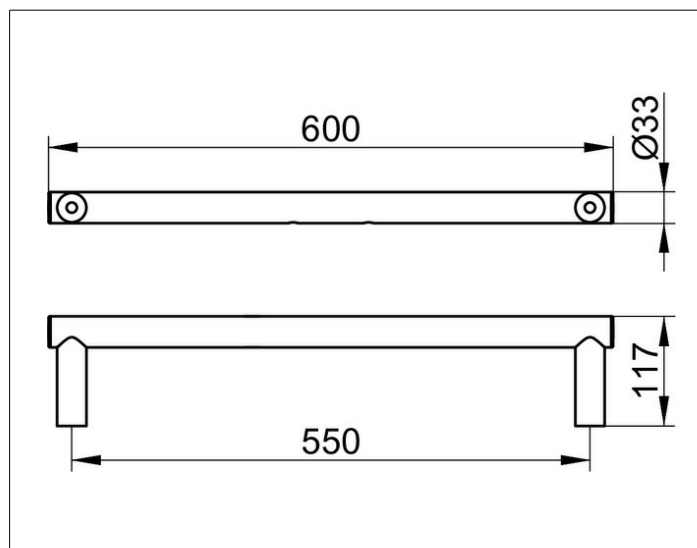
Plan Care

34979170600 Настенная штанга

ИЗДЕЛИЕ



ЧЕРТЕЖ



ПОВЕРХНОСТЬ

алюминий серебристый анодированный (E6 E)

ГАБАРИТЫ

600 mm

СПЕЦИФИКАЦИИ

KEUCO PLAN CARE rail for back rest for WC 34979170600
aluminium silver anodized rail in esthetic, practical design
in combination with back rest cat-no 34979
anti-static
easy to clean
ideal for use in public areas
width: 600mm borehole distance 550mm
projection
wall distance 84mm, projection/overhang 117mm
pipe diameter 33mm

It is essential for installation to order the correct
Screws/bolt depending on type of wall:
1 x mounting set 2 (Art. no. 34991 000100), or
1 x mounting set 5 (Art. no. 34991 000200), or
1 x mounting set 8 (Art. no. 34994000200)

the back rest is to be ordered separately!