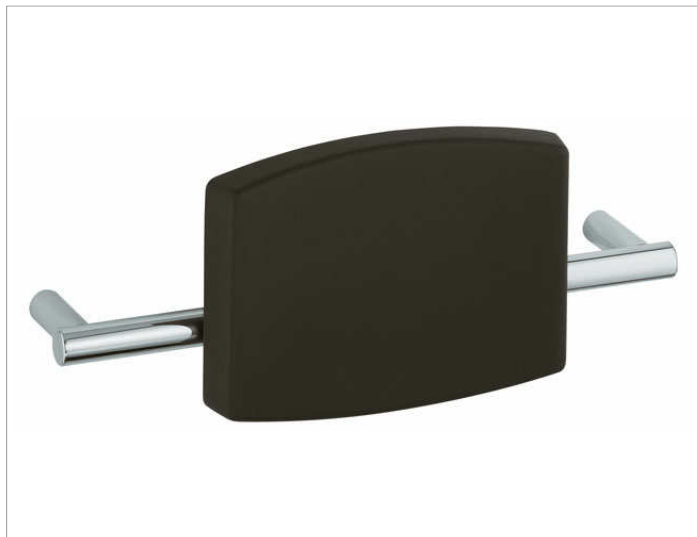


Plan Care

34979010600 Настенная штанга

ИЗДЕЛИЕ



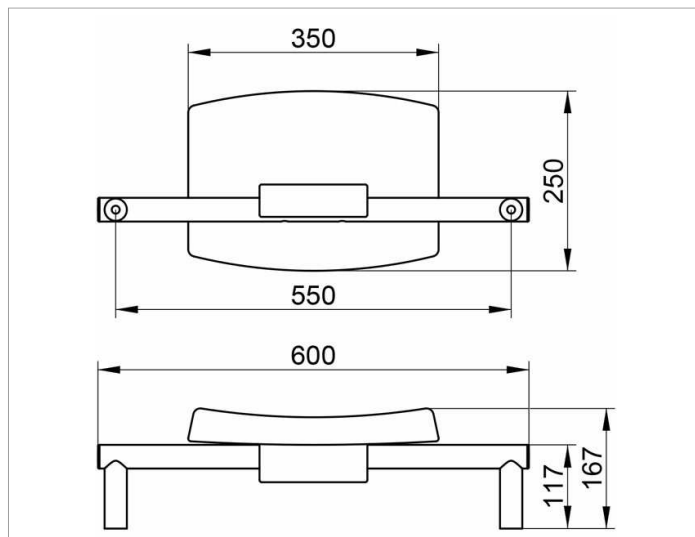
поверхность

хром

Габариты

600 mm

ЧЕРТЕЖ



спецификации

KEUCO PLAN CARE rail for back rest for WC 34979010600

chrome-plated rail in esthetic, practical design

in combination with back rest cat-no 34979

anti-static

easy to clean

ideal for use in public areas

width: 600mm borehole distance 550mm

projection

wall distance 84mm, projection/overhang 117mm

pipe diameter 33mm

It is essential for installation to order the correct

Screws/bolt depending on type of wall:

1 x mounting set 2 (Art. no. 34991 000100), or

1 x mounting set 5 (Art. no. 34991 000200), or

1 x mounting set 8 (Art. no. 34994000200)

the back rest is to be ordered separately!